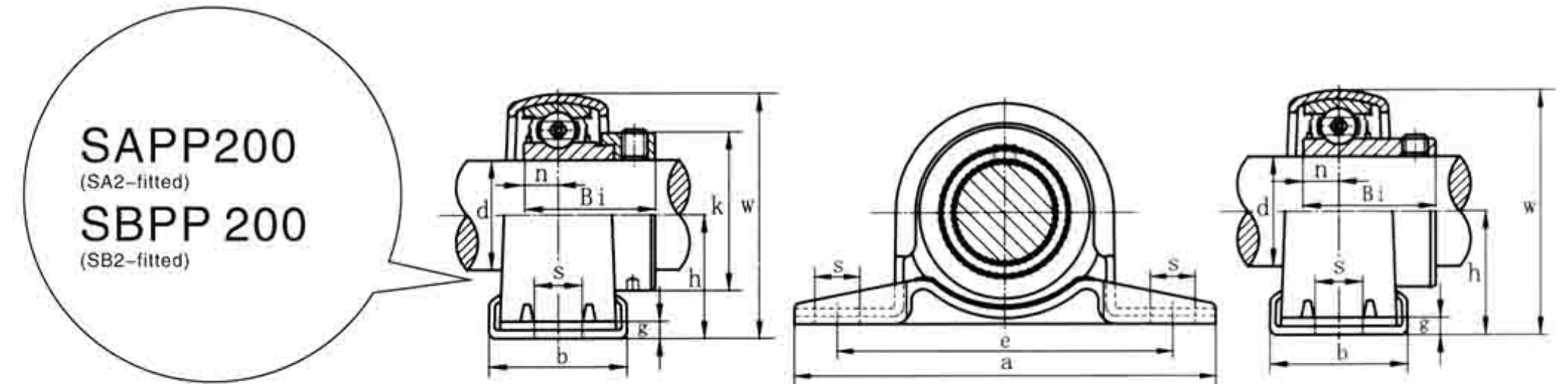


FZB

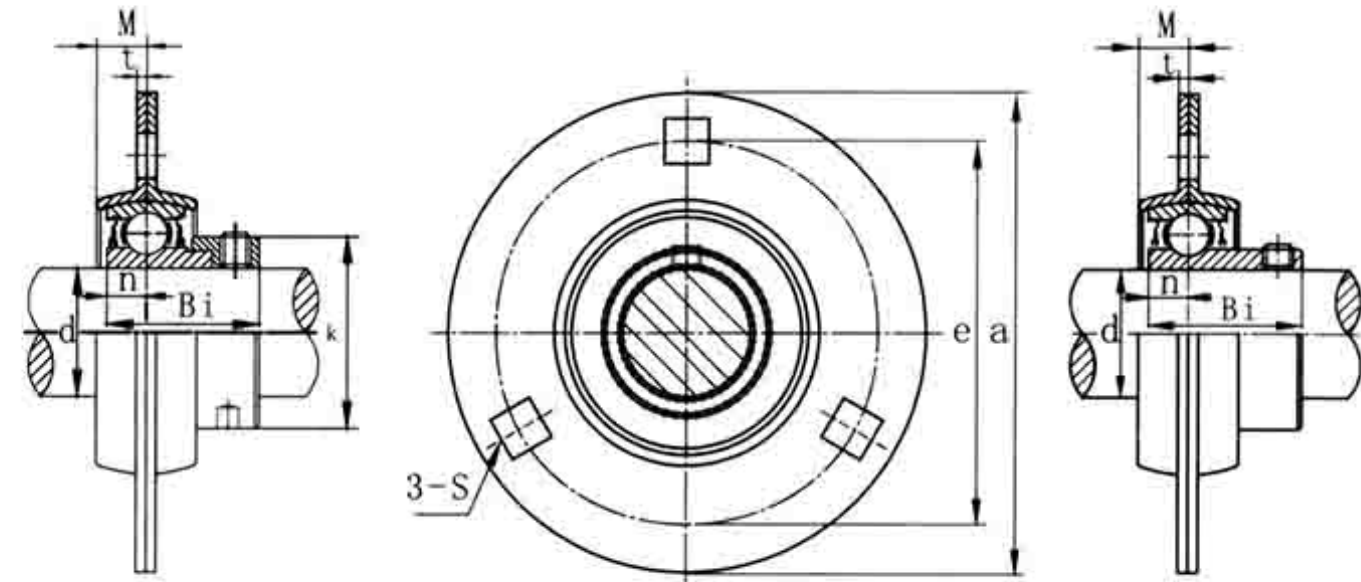
用心让世界运转更高效

Make the world more efficient by heart

高转速, 低噪音, 更稳定, 高价值
High speed, low noise, more stable, high-value

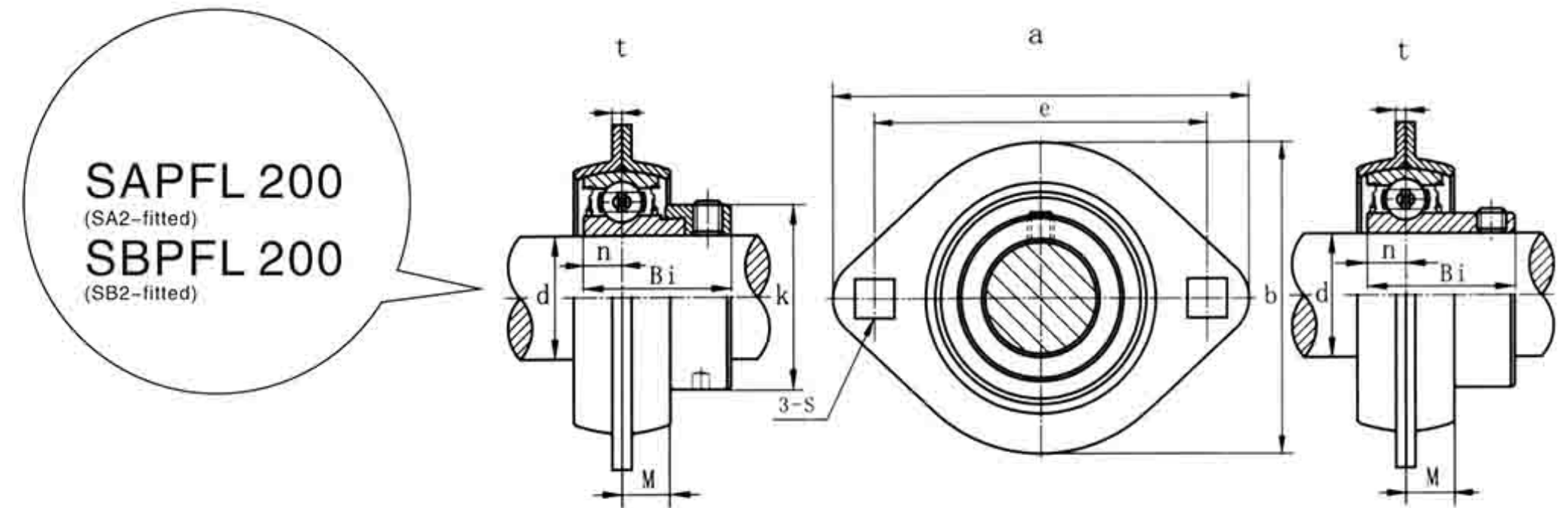


带座轴承代号 Bearing unit	轴径 Shaft Dia	外形尺寸 (英寸) 或 (毫米) Dimensions (in.) or (mm)							螺栓 Bolt used			SAPFL 重量 Bearing weight	SAPFL 重量 Bearing weight	轴承代号 Housing		
No.	d	h	a	e	b	S	g	w	n	Bi	k	No.	Bi	No.	No.	
	(in.) (mm)						(mm)		(in.) (mm)				(kg)	(kg)		
SAPP 201	12 7/8	3 3/8	2 43/64	63/64	3/8	1 23/32	0.2362	5/16	1.1220	1.1260	SA 201	0.8661	SB201	0.16	PP 201	
SBPP 201-8	1/2	22.2	86	68	25	9.5	43.8	6.0	M8	28.6	28.6	201-8	22	201-8		
SAPP 202	15 7/8	3 3/8	2 43/64	63/64	3/8	1 23/32	0.2362	5/16	1.1220	1.1260	SA 202	0.8661	SB202	0.16	PP 202	
SBPP 202-10	5/8	22.2	86	68	25	9.5	43.8	6.0	M8	28.6	28.6	202-10	22	202-10		
SAPP 203	17 7/8	3 3/8	2 43/64	63/64	3/8	1 23/32	0.2362	5/16	1.1220	1.1260	SA 203	0.8661	SB203	0.23	PP 203	
SBPP 203-11	11/16	22.2	86	68	25	9.5	43.8	6.0	M8	28.6	28.6	203-11	22	203-11		
SAPP 204-12	3/4	1	3 27/32	2 63/64	1 1/4	3/8	1 63/64	0.2756	5/16	1.2205	1.3110	SA 204-12	0.9843	SB204-12	0.23	PP 204
SBPP 204	20	25.4	98	76	32	9.5	50.5	7.0	M8	31	33.3	204	25	204		
SAPP 205-14	7/8											SA 205-14		SB205-14		
SBPP 205	25 1 1/8	4 1/4	3 25/64	1 1/4	29/64	2 15/64	0.2953	3/8	1.2205	1.5000	205	1.0630	205	0.28	PP 205	
205-16	1	28.6	108	86	32	11.5	56.6	7.5	M10	31	38.1	205-16	27	205-16		
SAPP 206-18	1 1/8											SA 206-18		SB206-18		
SBPP 206	30 5 1/16	4 19/32	3 47/64	1 1/2	29/64	2 39/64	0.3150	3/8	1.4055	1.7520	206	1.1811	206	0.47	PP 206	
206-19	1 3/16	33.3	117	95	38	11.5	66.3	8.0	M10	35.7	44.5	206-19	30	206-19		
206-20	1 1/4											206-20		206-20		



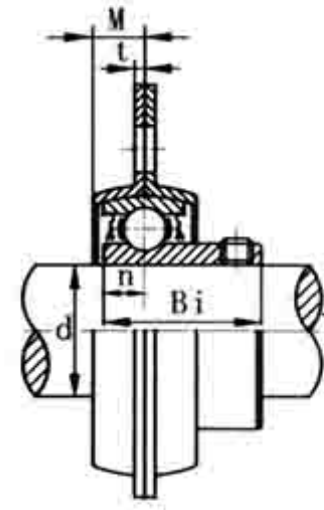
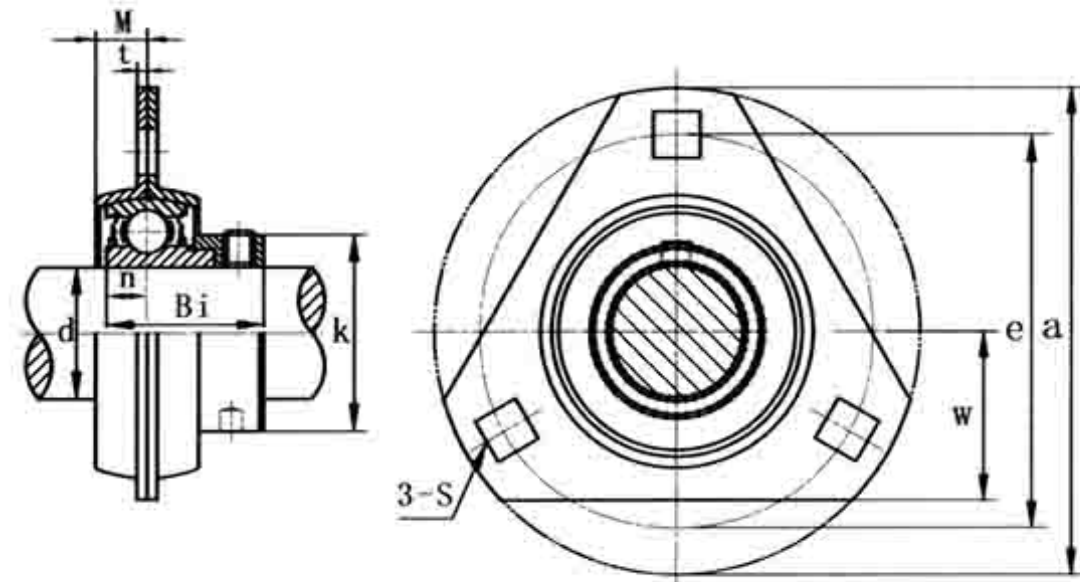
SAPF 200
SA2-fitted
SBPF 200
SB2-fitted

带座轴承代号 Bearing unit	轴径 Shaft Dia.	外形尺寸 (英寸) 或 (毫米) Dimensions (in) or (mm)										螺栓 Bolt used	SAPFL Bearing	重量 weight	SAPFL Bearing	重量 weight	座代号 Housing
No.	d	a	e	M	t	S	n	Bi	K	No.	Bi	No.	No.	No.	No.		
	(in.) (mm)	(mm)										(in.) (mm)	(Kg)	(Kg)			
SAPF SBPF 201	12	3 3/16	2 1/2	9/32	2	9/32	0.2362	1/4	1.1260	1.1260	SA 201	0.30	0.8661	SB 201	0.27	PF 201	
201-8	81	63.5	7.0	7.1	6.0	M6	28.6	28.6	201-8	22.0	201-8						
SAPF SBPF 202	15	3 3/16	2 1/2	9/32	2	9/32	0.2362	1/4	1.1260	1.1260	SA 202	0.30	0.8661	SB 202	0.27	PF 202	
202-10	81	63.5	7.0	7.1	6.0	M6	28.6	28.6	202-10	22.0	202-10						
SAPF SBPF 203	17	3 3/16	2 1/2	9/32	2	9/32	0.2362	1/4	1.1260	1.1260	SA 203	0.30	0.8661	SB 203	0.27	PF 203	
203-11	81	63.5	7.0	7.1	6.0	M6	28.6	28.6	203-11	22.0	203-11						
SAPF SBPF 204-12	3/4	3 17/32	2 13/16	5/16	2	23/64	0.2756	5/16	1.2205	1.3110	SA 204-12	0.33	0.9843	SB 204-12	0.33	PF 204	
204	20	90	71.5	8	9.0	7.0	M8	31	33.3	204	25.0	204					
SAPF SBPF 205-14	7/8	3 3/4	2 63/64	23/64	2	23/64	0.2953	5/16	1.2205	1.5000	SA 205-14			SB 205-14			
205	25	95	76	9	9.0	7.5	M8	31	38.1	205	1.0630	205	0.38	PF 205			
205-16	1								205-16	27.0	205-16						
SAPF SBPF 206-18	1 1/8										SA 206-18			SB 206-18			
206	30	4 7/16	3 9/16	3/8	2.6	7/16	0.3150	3/8	1.4055	1.7520	206	1.1811	206	0.62	PF 206		
206-19	113	90.5	9.5	11	8.0	M10	35.7	44.5	206-19	30.0	206-19						
206-20									206-20		206-20						
SAPF SBPF 207-20	1 1/4										SA 207-20			SB 207-20			
207-22	35	122	100	11	11	8.5	M10	38.9	55.6	207	32.0	207					
207									207-22	1.2598	207-22	0.82	PF 207				
207-23									207-23		207-23						



SAPFL 200
(SA2-fitted)
SBPFL 200
(SB2-fitted)

带座轴承代号 Bearing unit	轴径 Shaft Dia.	外形尺寸 (英寸) 或 (毫米) Dimensions (in) or (mm)										螺栓 Bolt used	SAPFL Bearing	重量 weight	SAPFL Bearing	重量 weight	座代号 Housing
No.	d	a	e	M	b	t	S	n	Bi	K	No.	Bi	No.	No.	No.		
	(in.) (mm)	(mm)										(in.) (mm)	(kg)	(kg)			
SAPFL SBPFL 201	12	3 3/16	2 1/2	9/32	2 5/16	9/32	0.2362	1/4	1.1260	1.1260	SA 201	0.22	0.8661	SB 201	0.19	PFL201	
201-8	81	63.5	7.0	59	7.1	6.0	M6	28.6	28.6	201-8	22	201-8					
SAPFL SBPFL 202	15	3 3/16	2 1/2	9/32	2 5/16	9/32	0.2362	1/4	1.1260	1.1260	SA 202	0.22	0.8661	SB 202	0.19	PFL202	
202-10	81	63.5	7.0	59	7.1	6.0	M6	28.6	28.6	202-10	22	202-10					
SAPFL SBPFL 203	17	3 3/16	2 1/2	9/32	2 5/16	9/32	0.2362	1/4	1.1260	1.1260	SA 203	0.22	0.8661	SB 203	0.19	PFL203	
203-11	81	63.5	7.0	59	7.1	6.0	M6	28.6	28.6	203-11	22	203-11					
SAPFL SBPFL 204-12	3/4	3 17/32	2 13/16	5/16	2 5/8	23/64	0.2756	5/16	1.2205	1.3110	SA 204-12	0.24	0.9843	SB 204-12	0.24	PFL204	
204	20	90	71.5	8	67	9.0	7.0	M8	31	33.3	204	25	204				
SAPFL SBPFL 205-14	7/8										SA 205-14			SB 205-14			
205	25	95	76	9	71	9.0	7.5	M8	31	38.1	205	1.0630	205	0.28	PFL205		
205-16	1	95	76.0	9	71	9.0	7.5	M8	31	38.1	205-16	27	205-16				
SAPFL SBPFL 206-18	1 1/8										SA 206-18			SB 206-18			
206	30	4 7/16	3 9/16	3 5/16	2.6	7/16	0.3150	3/8	1.4055	1.7520	206	1.1811	206	0.41	0.38 PFL206		
206-19	113	90.5	9.5	84	11	8.0	M10	35.7	44.5	206-19	30	206-19					
206-20									206-20		206-20						

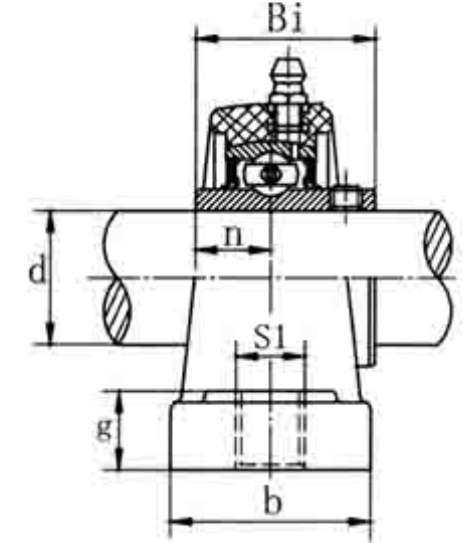
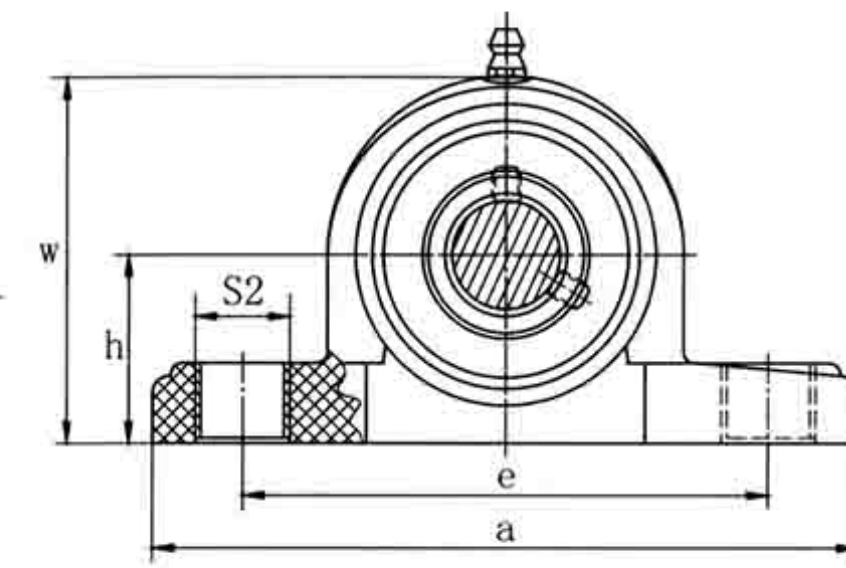


SAPFT 200
(SA2-fitted)
SBPFT 200
(SB2-fitted)

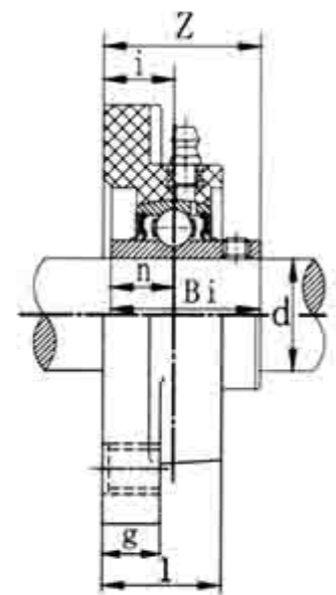
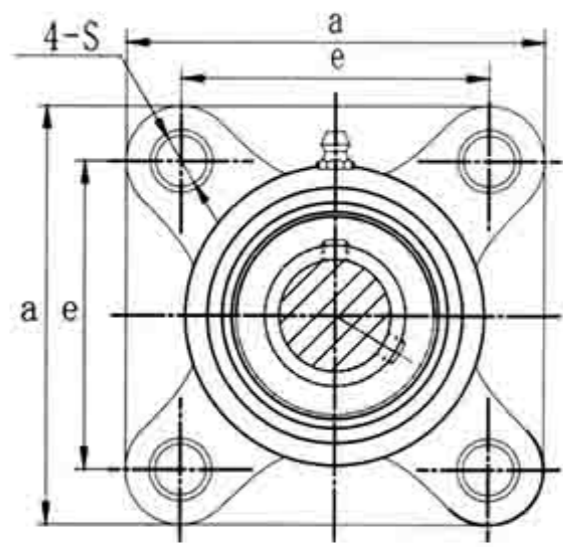
带座轴承代号 Bearing unit	轴径 Shaft Dia.	外形尺寸 (英寸) 或 (毫米) Dimensions (in) or (mm)									螺栓 Bolt used	SAPFL Bearing	重量 weight	SAPFL Bearing	重量 weight	座代号 Housing
No.	d	a	e	M	t	W	S	n	Bi	K	No.	Bi	No.	No.		
	(in.) (mm)	(mm)									(in.) (mm)	(Kg)	(Kg)			
SAPFT201	12	3 3/16	2 1/2	9/32	2	1 9/64	9/32	0.2362	1/4	1.1260	1.1260	SA 201	0.8661	SB 201	PFT 201	
SBPFT201-8	1/2	81	63.5	7.0	29	7.1	6.0	M6	28.6	28.6	201-8	22.0	201-8			
SAPFT202	15	3 3/16	2 1/2	9/32	2	1 9/64	9/32	0.2362	1/4	1.1260	1.1260	SA 202	0.8661	SB 202	PFT 202	
SBPFT202-10	5/8	81	63.5	7.0	29	7.1	6.0	M6	28.6	28.6	202-10	22.0	202-10			
SAPFT203	17	3 3/16	2 1/2	9/32	2	1 9/64	9/32	0.2362	1/4	1.1260	1.1260	SA 203	0.8661	SB 203	PFT 203	
SBPFT203-11	11/16	81	63.5	7.0	29	7.1	6.0	M6	28.6	28.6	203-11	22.0	203-11			
SAPFT204-12	3/4	3 17/32	2 13/16	5/16	2	1 11/32	23/64	0.2756	5/16	1.2205	1.3110	SA 204-12	0.9843	SB 204-12	PFT 204	
SBPFT204	20	90	71.5	8	34	9.0	7.0	M8	31	33.3	204	25.0	204			
SAPFT205-14	7/8	3 3/4	2 63/64	23/64	2	1 27/64	23/64	0.2953	5/16	1.2205	1.5000	SA 205-14	1.0630	SB 205-14	PFT 205	
SBPFT205	25	95	76	9	36	9.0	7.5	M8	31	38.1	205	27.0	205			
205-16	1										205-16	27.0	205-16			
SAPFT206-18	1 1/8	4 7/16	3 9/16	3/8	2.6	1 39/64	7/16	0.3150	3/8	1.4055	1.7520	SA 206-18	1.1811	SB 206-18	PFT 206	
SBPFT206	30	113	90.5	9.5	41	11	8.0	M10	35.7	44.5	206	30.0	206			
206-19	1 3/16										206-19	30.0	206-19			
206-20	1 1/4										206-20		206-20			
SAPFT207-20	1 1/4	4 13/16	3 15/16	7/16	2.6	1 49/64	7/16	0.3346	3/8	1.5315	2.1890	SA 207-20	1.2598	SB 207-20	PFT 207	
SBPFT207-22	1 3/8	122	100	11	45	11	8.5	M10	38.9	55.6	207	32.0	207			
207											207	0.78	207			
207-23	1 7/16										207-23		207-23			

UCPPL 200

· 材料: PBT/Material: PBT
· 实心底/Solid base
· 标准不锈钢油嘴/
Stainless steel grease nipples
as standard(suffix N)



带座轴承代号 Bearing unit	轴径 Shaft Dia.	外形尺寸 (英寸) 或 (毫米) Dimensions (in) or (mm)										螺栓 Bolt used	扭矩 Torque	轴承代号 Bearing	座代号 Housing	座重量 Weight Housing
No.	d	a	e	b	g	l	S	Z	i	Bi	n		(N.m)	No.	No.	(Kg)
	(in.) (mm)	(mm) (in.)										(mm) (in.)				
UCPPL201	12													SUC 201		
201-8	1/2													201-8		
UCPPL202-9	9/16	1 5/16	5	3 47/64	1 1/2	9/16	7/16	35/64	2 37/64	1.2205	0.5000	M10 3/8	18	SUC 202-9	PPL 203	0.12
202	15													202		
202-10	5/8	33.3	127	95	38	14.2	11	14	65.5	31.0	12.7			202-10		
UCPPL203	17													SUC 203		
203-11	1 1/16													203-11		
UCPPL204-12	3/4	1 5/16	5	3 47/64	1 1/2	9/16	7/16	35/64	2 37/64	1.2205	0.5000	M10 3/8	18	SUC 204-12	PPL 204	0.12
204	20	33.3	127	95	38	14.2	11	14	65.5	31.0	12.7			204		
UCPPL205-14	7/8	1 7/16	5 17/32	4 9/64	1 1/2	37/64	7/16	35/64	2 51/64	1.3386	0.5630	M10 3/8	25	SUC 205-14	PPL 205	0.14
205-15	15/16													205-15		
205	25	36.5	140.5	105	38	14.5	11	14	71	34.0	14.3			205		
205-16	1													205-16		
UCPPL206-17	1 1/16													SUC 206-17		
206-18	1 1/8													206-18		
206	30	11 1/16	6 27/64	4 11/16	1 13/16	45/64	35/64	45/64	3 5/16	1.5000	0.6260	M12 7/16	30	206	PPL 206	0.20
206-19	1 3/16	42.9	163	119	46	17.8	14	18	84	38.1	15.9			206-19		
206-20	1 1/4													206-20		
UCPPL207-20	1 1/4													SUC 207-20		
207-21	1 5/16													207-21		
207-22	1 3/8	1 7/8	6 39/64	5	1 57/64	45/64	35/64	45/64	3 23/32	1.6890	0.6890	M12 7/16	35	207	PPL 207	0.25
207	35	47.6	168	127	48	18	14	18	94.5	42.9	17.5			207		
207-23	1 7/16													207-23		
UCPPL208-24	1 1/2	1 15/16	7 1/4	5 25/64	2 1/8	49/64	35/64	45/64	3 29/32	1.9370	0.7480	M12 7/16	40	SUC 208-24	PPL 208	0.35
208-25	1 9/16	49.2	184	137	54	19.5	14	18	99	49.2	19.0			208-25		
208	40													208		
UCPPL209-26	1 5/8	2 1/8	7 9/16	5 3/4	2 1/8	29/32	43/64	25/32	4 11/64	1.9370	0.7480	M16 5/8	45	SUC 209-26	PPL 209	0.45
209-27	1 11/16													209-27		
209-28	1 3/4	54	192	146	54	23	17	20	106	49.2	19.0			209-28		
209	45													209		
UCPPL210-30	1 7/8	2 1/4	8 1/8	6 1/4	2 3/8	29/32	43/64	25/32	4 31/64	2.0315	0.7480	M16 5/8	50	SUC 210-30	PPL 210	0.55
210-31	1 5/16	57.2	206	159	60	23	17	20	114	51.6	19.0			210-31		
210														210		



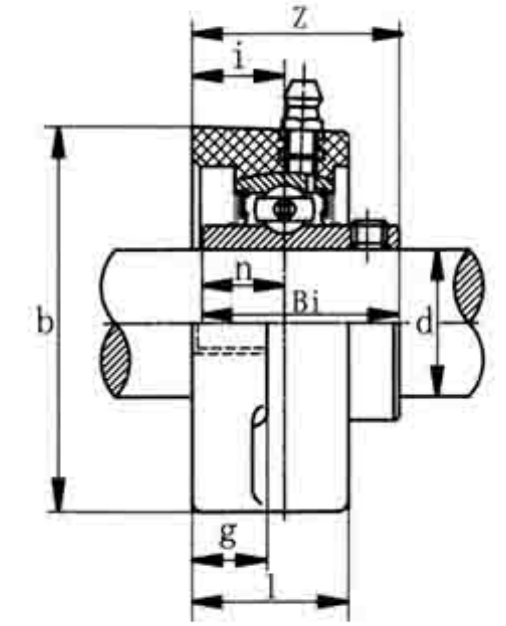
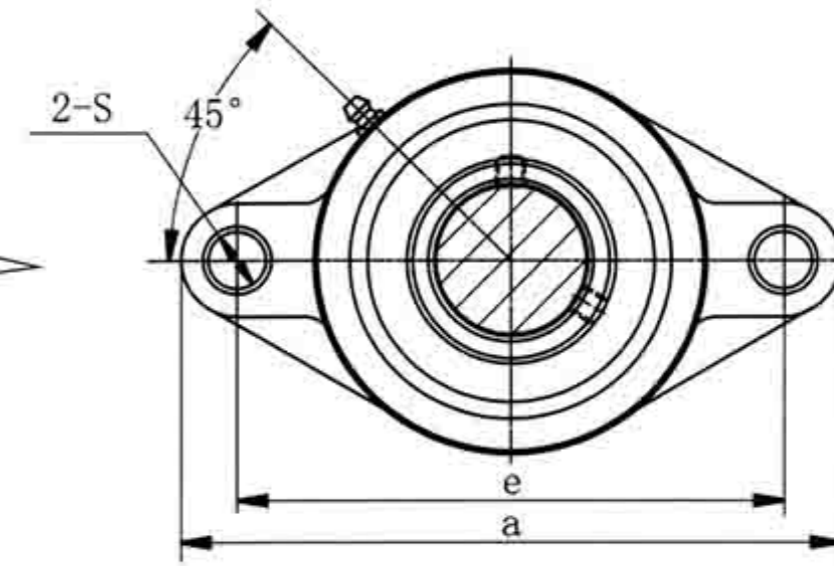
UCFPL 200

- 材料: PBT/Material: PBT
- 实心底/Solid base
- 标准不锈钢油嘴/
Stainless steel grease nipples
as standard(suffix N)

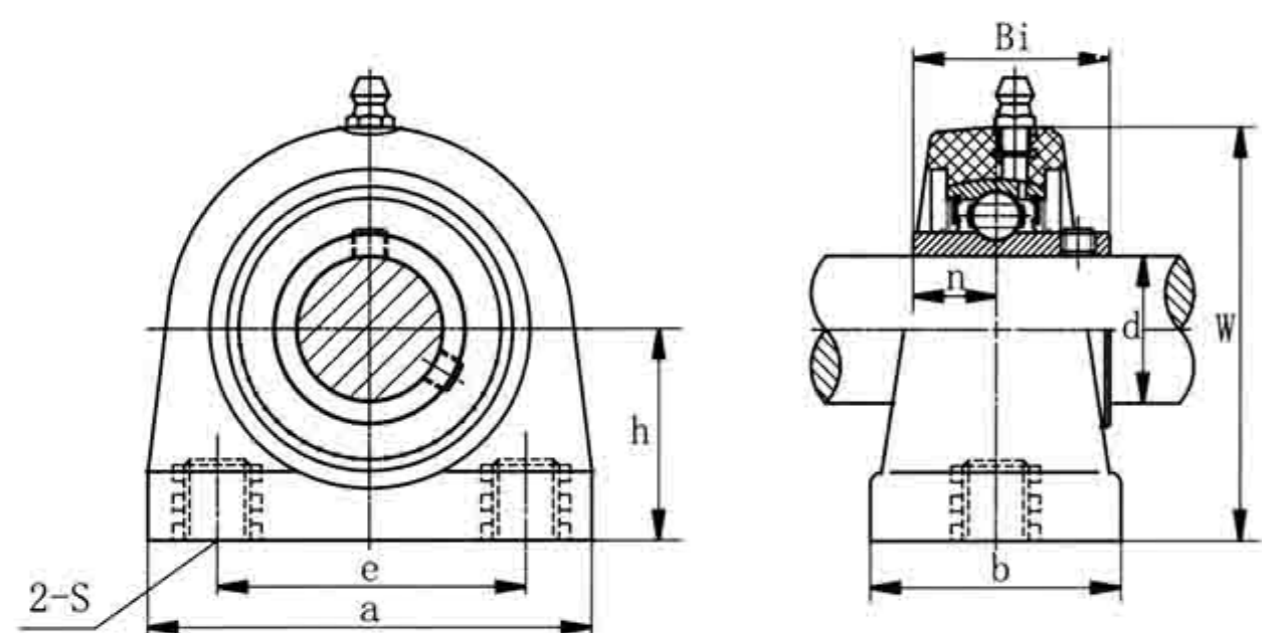
带座轴承代号 Bearing unit	轴径 Shaft Dia.	外形尺寸 (英寸) 或 (毫米) Dimensions (in) or (mm)										螺栓 Bolt used	扭矩 Torque	轴承代号 Bearing	座代号 Housing	座重量 Housing weight
(No.)	d	a	e	g	l	S	Z	i	Bi	n	(mm) (in.)	(N.m)	(No.)	(No.)	(Kg)	
UCFPL201	12													SUC 201		
201-8	1/2													201-8		
UCFPL202-9	9/16													SUC 202-9		
202	15	3 25/64	2 1/2	17/32	1 3/32	7/16	1 27/64	45/64	1.2205	0.5000			M10 3/8	18	202	FPL203 0.12
202-10	5/8	86	63.5	13.4	27.8	11	36.3	18	31.0	12.7				202-10		
UCFPL203	17													SUC 203		
203-11	1 1/16													203-11		
UCFPL204-12	3/4													SUC 204-12		
204	20	86	63.5	13.4	27.8	11	36.3	18	31.0	12.7			M10 3/8	18	204	FPL204 0.12
UCFPL205-14	7/8													SUC 205-14		
205-15	1 5/16													205-15		
205	25	95	70	14	28	11	36.7	17	34.0	14.3			M10 3/8	25	205	FPL205 0.15
205-16	1													205-16		
UCFPL206-17	1 1/16													SUC 206-17		
206-18	1 1/8													206-18		
206	30	4 7/32	3 17/64	9/16	1 15/64	7/16	1 5/8	3/4	1.5000	0.6260			M10 3/8	30	206	FPL206 0.18
206-19	1 3/16	107	83	14.3	31.5	11	41.4	19.2	38.1	15.9				206-19		
206-20	1 1/4													206-20		
UCFPL207-20	1 1/4													SUC 207-20		
207-21	1 5/16													207-21		
207-22	1 3/8													207-22		
207	35	118	92	15.5	34.8	13	46.9	21.5	42.9	17.5			M12 7/16	35	207	FPL207 0.26
207-23	1 7/16													207-23		
UCFPL208-24	1 1/2													SUC 208-24		
208-25	1 9/16													208-25		
208	40	130	102	17	37.5	14	53.2	23	49.2	19.0			M12 7/16	40	208	FPL208 0.33
UCFPL209-26	1 5/8													SUC 209-26		
209-27	1 11/16													209-27		
209-28	1 3/4													209-28		
209	45	137	105	19	41	17	54.2	24	49.2	19.0			M16 5/8	45	209	FPL209 0.42
UCFPL210-30	1 7/8													SUC 210-30		
210-31	1 5/16													210-31		
210	50	143	111	21	43	17	57.6	25	51.6	19.0			M16 5/8	50	210	FPL210 0.51

UCNFL 200

- 材料: PBT/Material: PBT
- 实心底/Solid base
- 标准不锈钢油嘴/
Stainless steel grease nipples
as standard(suffix N)



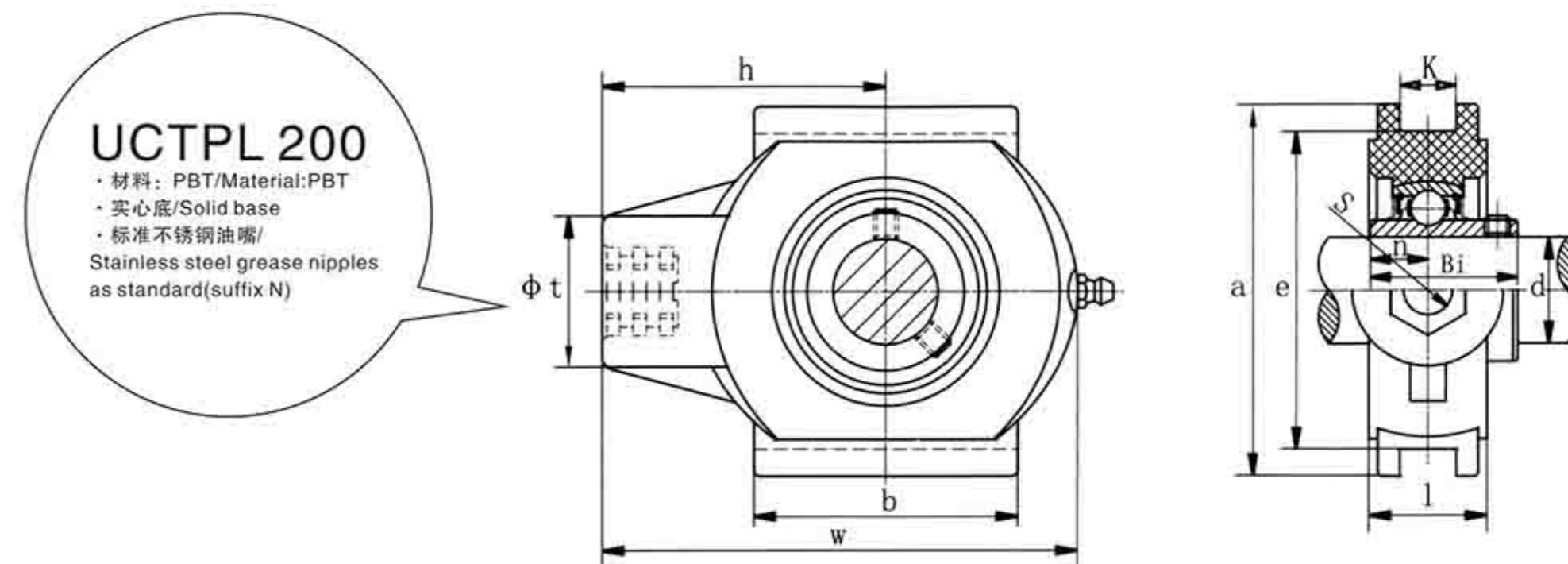
带座轴承代号 Bearing unit	轴径 Shaft Dia.	外形尺寸 (英寸) 或 (毫米) Dimensions (in) or (mm)										螺栓 Bolt used	扭矩 Torque	轴承代号 Bearing	座代号 Housing	座重量 Housing weight	
(No.)	d	a	e	b	g	l	S	Z	i	Bi	n	(mm) (in.)	(N.m)	(No.)	(No.)	(Kg)	
UCNFL201	12													SUC 201			
201-8	1/2													201-8			
UCNFL202-9	9/16													SUC 202-9			
202	15	4 29/64	3 35/64	2 9/16	29/64	1 3/64	7/16	1 21/64	39/64	1.2205	0.5000			M10 3/8	18	202	NFL 203 0.08
202-10	5/8	113	90	65	11.4	26.5	11	33.7	15.4	31.0	12.7				202-10		
UCNFL203	17													SUC 203			
203-11	1 1/16													203-11			
UCNFL204-12	3/4													SUC 204-12			
204	20	113	90	65	11.4	26.5	11	33.7	15.4	31.0	12.7			M10 3/8	18	204	NFL 204 0.08
UCNFL205-14	7/8													SUC 205-14			
205-15	1 5/16													205-15			
205	25	131	99	69.5	13.5	29.1	11	36.7	17	34.0	14.3			M10 3/8	25	205	NFL 205 0.10
205-16	1													205-16			
UCNFL206-17	1 1/16													SUC 206-17			
206-18	1 1/8													206-18			
206	30	5 53/64	4 39/64	3 5/32	17/32	1 13/64	7/16	1 5/8	3/4	1.5000	0.6260			M10 3/8	30	206	NFL 206 0.13
206-19	1 3/16	148	117	80	13.3	30.5	11	41.2	19	38.1	15.9				206-19		
206-20	1 1/4													206-20			
UCNFL207-20	1 1/4													SUC 207-20			
207-21	1 5/16													207-21			
207-22	1 3/8													207-22			
207	35	164	130	90	16.1	32.8	13	43.4	18	42.9	17.5			M12 7/16	35	207	NFL 207 0.16
207-23	1 7/16													207-23			
UCNFL208-24	1 1/2													SUC 208-24			
208-25	1 9/16													208-25			
208	40	176	144	100	20	37.5	14	51.7	21.5	49.2	19.0			M12 7/16	40	208	NFL 208 0.24
UCNFL209-26	1 5/8													SUC 209-26			
209-27	1 11/16													209-27			
209-28	1 3/4													209-28			
209	45	188	148	108	21	41	17	54.2	24	49.2	19.0			M16 5/8	45	209	NFL 209 0.32
UCNFL210-30	1 7/8													SUC 210-30			
210-31	1 5/16													210-31			
210	50	197	157	115	21	43	17	57.6	25	51.6	19.0			M16 5/8	50	210	NFL 210 0.42



UCPL 200

- 材料: PBT/Material: PBT
- 实心底/Solid base
- 标准不锈钢油嘴/Standard stainless steel grease nipples as standard(suffix N)

带座轴承代号 Bearing unit	轴径 Shaft Dia.	外形尺寸 (英寸) 或 (毫米) Dimensions (in) or (mm)										螺栓 Bolt used	扭矩 Torque	轴承代号 Bearing	座代号 Housing	座重量 Housing weight		
(No.)	d	h	a	e	S	b	W	Bi	n			(No.)	(No.)			(Kg)		
	(in)	(mm)											(mm)	(N.m)				
UCPL 201	12													SUC 201				
201-8	1/2													201-8				
UCPL 202-9	9/16	5/8													SUC 202-9			
202	15	1 5/16	2 55/64	2	M8	1 23/64	2 19/32	1.2205	0.5000	M8	18	202	PL203	0.13				
202-10	5/8	33.3	72.8	50.8		34.5	66	31.0	12.7			202-10						
UCPL 203	17													SUC 203				
203-11	1 1/16													203-11				
UCPL 204-12	3/4	1 5/16	2 55/64	2	M8	1 23/64	2 19/32	1.2205	0.5000	M8	18	SUC 204-12	PL204	0.13				
204	20	33.3	72.8	50.8		34.5	66	31.0	12.7			204						
UCPL 205-14	7/8													SUC 205-14				
205-15	1 5/16	1 7/16	3	2	M10	1 9/16	2 57/64	1.3386	0.5630	M10	25	205-15	PL205	0.15				
205	25	36.5	76.2	50.8		39.5	73.5	34.0	14.3			205						
205-16	1													205-16				
UCPL 206-17	1 1/16													SUC 206-17				
206-18	1 1/8	1 11/16	3 31/32	3	M10	1 43/64	3 5/16	1.5000	0.6260	M10	30	206-18	PL206	0.24				
206	30	42.9	101	76.2		42.5	84	38.1	15.9			206						
206-19	1 3/16													206-19				
206-20	1 1/4													206-20				
UCPL 207-20	1 1/4													SUC 207-20				
207-21	1 5/16	1 7/8	4 21/64	3 1/4	M10	1 7/8	3 47/64	1.6890	0.6890	M10	35	207-21	PL207	0.28				
207-22	1 3/8	35	47.6	110	82.6	47.5	95	42.9	17.5			207-22						
207												207						
207-23	1 7/16													207-23				
UCPL 208-24	1 1/2													SUC 208-24				
208-25	1 9/16	1 15/16	4 23/32	3 1/2	M12	1 57/64	3 61/64	1.9370	0.7480	M12	45	208-25	PL208	0.39				
208	40	49.2	120	88.9		48	100.5	49.2	19.0			208						
UCPL 209-26	1 5/8													SUC 209-26				
209-27	1 11/16	2 1/8	4 7/8	3 3/4	M12	2 1/8	4 7/32	1.9370	0.7480	M12	50	209-27	PL209	0.47				
209-28	1 3/4	45	54	124	95.3	54	107	49.2	19.0			209-28						
209												209						
UCPL 210-30	1 7/8													SUC 210-30				
210-31	1 15/16	2 1/4	5 5/16	4	M16	2 1/8	4 17/32	2.0315	0.7480	M16	55	210-31	PL210	0.52				
210	50	57.2	135	101.6		54	115	51.6	19.0			210						

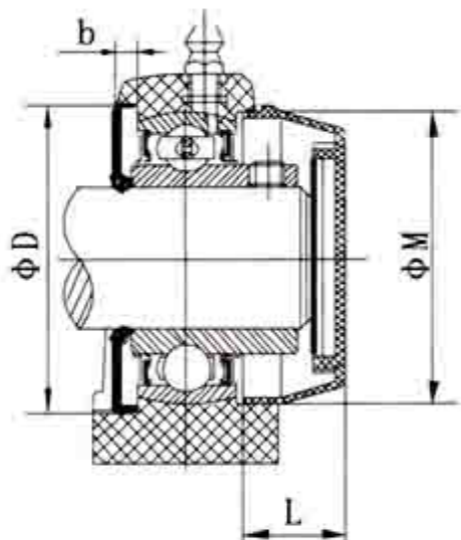
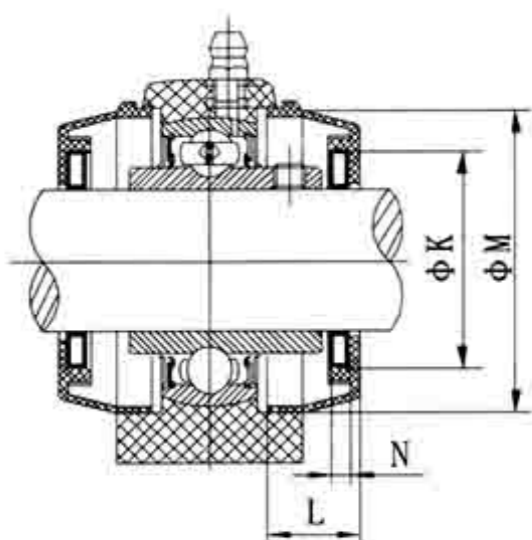


UCTPL 200

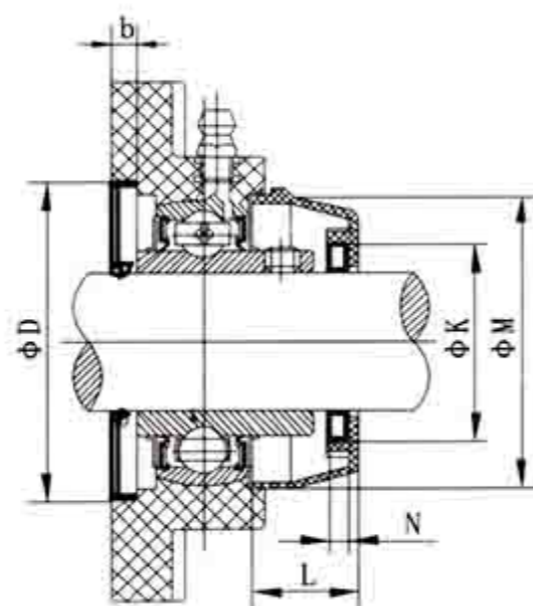
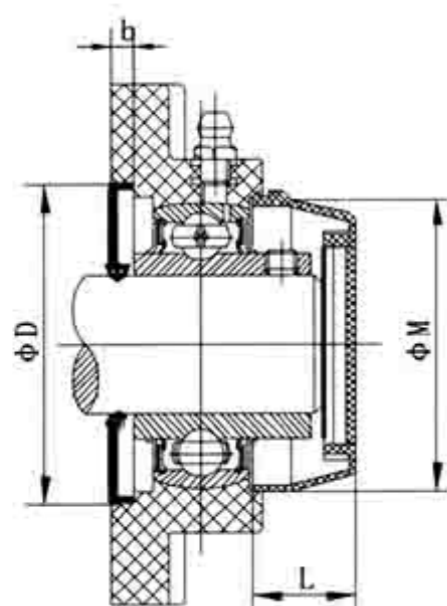
- 材料: PBT/Material: PBT
- 实心底/Solid base
- 标准不锈钢油嘴/Standard stainless steel grease nipples as standard(suffix N)

带座轴承代号 Bearing unit	轴径 Shaft Dia.	外形尺寸 (英寸) 或 (毫米) Dimensions (in) or (mm)										轴承代号 Bearing	座代号 Housing	座重量 Housing weight		
(No.)	d	w	l	K	h	e	S	t	a	b	Bi	n	(No.)	(No.)	(Kg)	
	(in)	(mm)														
UCTPL201	12													SUC 201		
201-8	1/2													201-8		
UCTPL202-9	9/16	3 57/64	1 5/64	15/32	2 33/64	3	M16	1 27/64	3 15/32	1 27/32	1.2205	0.5000	SUC 202-9	TPL203	0.16	
202	15	99	27.5	12	64	76		36	88	47	31.0	12.7	202			
202-10	5/8												202-10			
UCTPL203	17													SUC 203		
203-11	1 1/16													203-11		
UCTPL204-12	3/4	3 57/64	1 5/64	15/32	2 33/64	3	M16	1 27/64	3 15/32	1 27/32	1.2205	0.5000	SUC 204-12	TPL204	0.16	
204	20	99	27.5	12	64	76		36	88	47	31.0	12.7	204			
UCTPL205-14	7/8													SUC 205-14		
205-15	1 5/16	3 57/64	1 5/64	15/32	2 33/64	3	M16	1 27/64	3 15/32	1 27/32	1.3386	0.5630	205-15	TPL205	0.17	
205	25	99	27.5	12	64	76		36	88	47	34.0	14.3	205			
205-16	1													205-16		
UCTPL206-17	1 1/16													SUC 206-17		
206-18	1 1/8	4 59/64	1 23/64	15/32	3	3 1/2	M16	1 37/64	4 1/64	2 31/64	1.5000	0.6260	206-18	TPL206	0.22	
206	30	125	34.5	12	76	89		40	102	63	38.1	15.9	206			
206-19	1 3/16													206-19		
206-20	1 1/4													206-20		
UCTPL207-20	1 1/4													SUC 207-20		
207-21	1 5/16	4 59/64	1 23/64	15/32	3	3 1/2	M16	1 37/64	4 1/64	2 31/64	1.6890	0.6890	207-21	TPL207	0.26	
207-22	1 3/8	35	125	34.5	12	76	89	40	102	63	42.9	17.5	207-22			
207													207			
207-23	1 7/16													207-23		
UCTPL208-24	1 1/2													SUC 208-24		
208-25	1 9/16	5 33/64	1 33/64	5/8	3 11/32	4 1/64	M16	1 13/16	4 31/64	3 5/32	1.9370	0.7480	208-25	TPL208	0.38	
208	40	140	38.5	16	85	102		46	114	80	49.2	19.0	208			
UCTPL209-26	1 5/8													SUC 209-26		
209-27	1 11/16	5 55/64	1 37/64	5/8	3 35/64	4 1/64	M20	1 31/32	4 39/64	3 11/32	1.9370	0.7480	209-27	TPL209	0.48	
209-28	1 3/4	45	149	40	16	90	102	50	117	85	49.2	19.0	209-28			
209													209			
UCTPL210-30	1 7/8													SUC 210-30		
210-31	1 15/16	3 55/64	1 37/64	5/8	3 35/64	4 1/64	M20	1 31/32	4 39/64	3 11/32	2.0315	0.7480	210-31	PL210	0.52	
210	50	149	40	16	90	102		50	117	85	51.6	19.0	210			

立式座
Pillow Blocks



方形座
Flange Units



塑料端盖 (通盖/盲盖) Plastic Covers(Open/Close)

轴径 Shaft Dia.		外形尺寸 Dimensions(mm)					
		K	N	L	M	D	b
mm	inch						
12	1/2	32	7	23	50	52	6
15	9/16 5/8	32	7	23	50	52	6
17	11/16	32	7	23	50	52	6
20	3/4 13/16	32	7	23	50	52	6
25	13/16 7/8 15/16 1	37	7	25	55	62	6
30	1 1/16 1 1/8 1 3/16 1 1/4	42	7	30	64	72	6
35	1 1/4 1 5/16 1 3/8 1 7/16	47	7	32	74.5	82	6
40	1 1/2 1 9/16	52	7	37	84	88	6
45	1 5/8 1 11/16 1 3/4	57	7	41	89	93	6
50	1 13/16 1 7/8 1 15/16 2	62	7	47	94	98	6

1.UCNFL

载荷方向
Mode of load

型号
Type



	204	205	206	207	208	209	210
	8800	13700	12650	12750	13100	13360	13850
	7700	10000	10600	10800	11100	11400	11750
	5000	8100	5750	7500	8500	8950	9550

注 (Notes) : 表中数据仅供参考 Data for reference only

2.UCNFL

载荷方向
Mode of load

型号
Type



	204	205	206	207	208	209	210
	15950	13000	18000	18500	19100	19350	19650
	10250	12150	17700	18500	19250	19350	19620
	3650	3350	3350	3520	3790	3850	3990

注 (Notes) : 表中数据仅供参考 Data for reference only

3.UCNFL

载荷方向 Mode of load	型号 Type						
	204	205	206	207	208	209	210
	11750	11375	16450	16900	17350	17600	17950
	11000	13850	13350	13950	14050	14300	14550
	8500	11100	14200	14900	15150	15350	15650

注 (Notes) : 表中数据仅供参考 Data for reference only

4.UCNFL

载荷方向 Mode of load	型号 Type						
	204	205	206	207	208	209	210
	8210	8540	10370	12150	12230	12900	13850
	6900	7010	6580	8080	9100	10400	11050
	2980	2850	4950	8160	9800	10710	11360

注 (Notes) : 表中数据仅供参考 Data for reference only

5.UCNFL

载荷方向 Mode of load	型号 Type						
	204	205	206	207	208	209	210
	14800	15500	15800	16500	17300	18210	18860
	3930	4530	5100	6500	7800	8710	9750
	8500	10350	10900	11300	12150	12900	13550
	40770	45300	46100	44100	42800	44230	44880

注 (Notes) : 表中数据仅供参考 Data for reference only