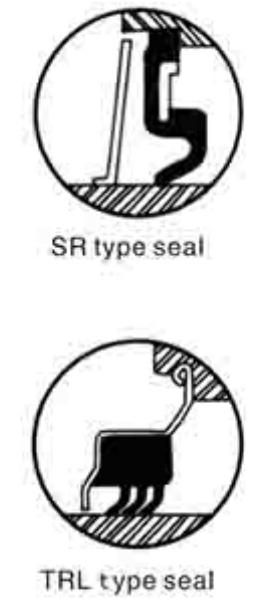
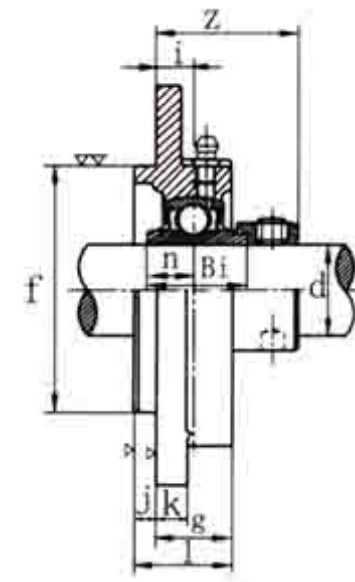
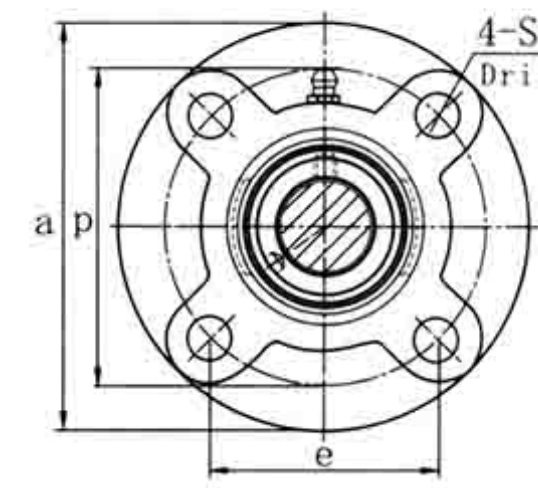


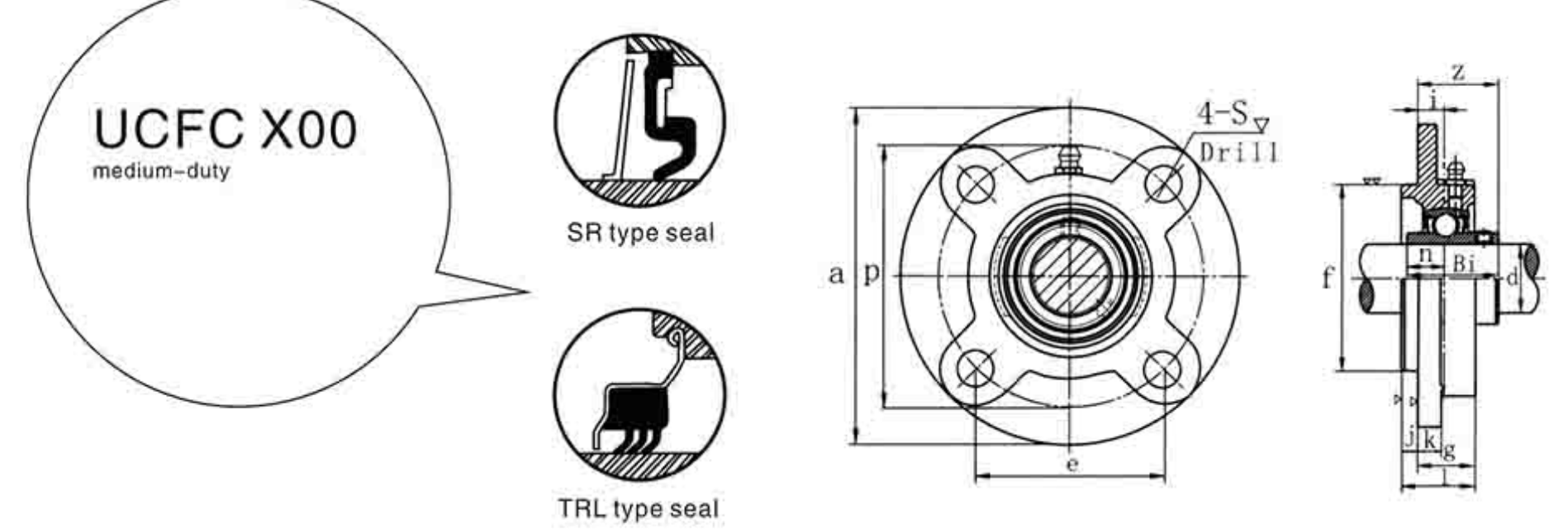
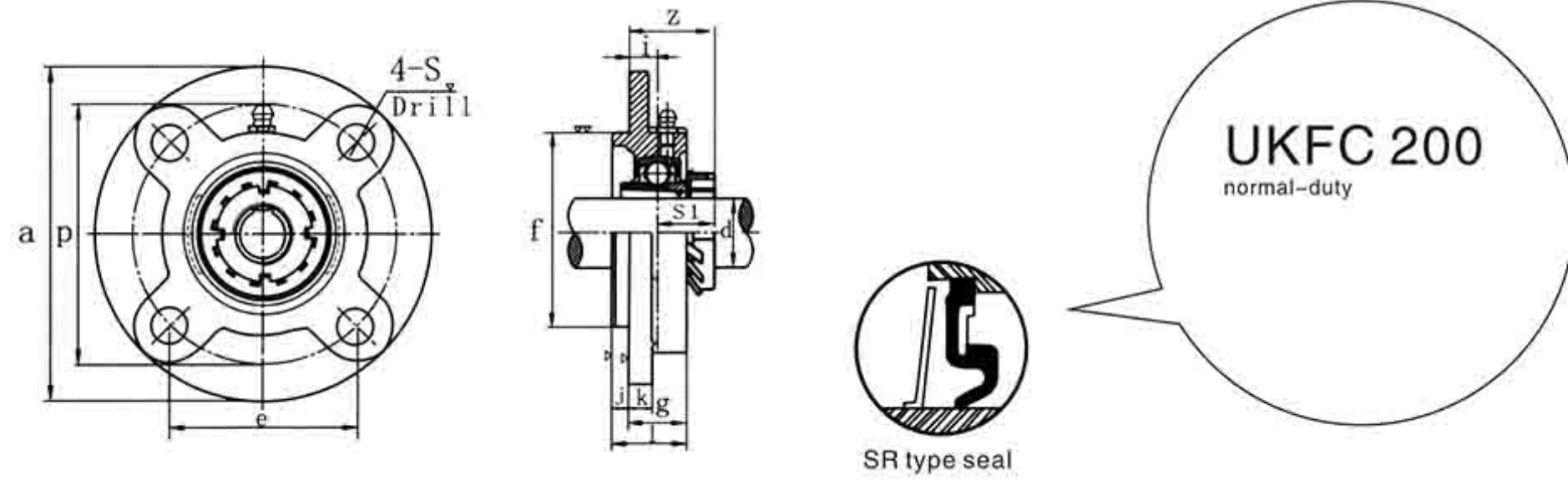
UCFC 200  
normal-duty



HCFC 200  
normal-duty

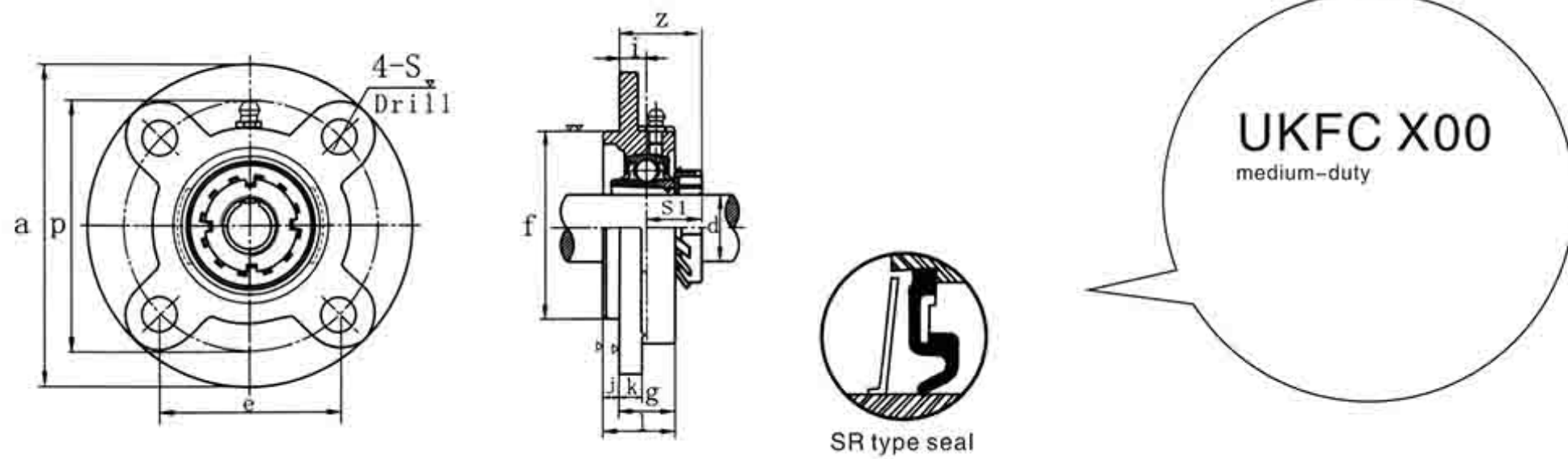
带座轴承代号 Bearing Unit	轴径 Shaft Dia	外形尺寸 (英寸) 或 (毫米) Dimensions (in.) or (mm)													螺栓 Bolt Used	轴承代号 Bearing	座代号 Housing	重量 Weight	
No.	d	a	p	e	l	L	S	J	k	g	f	Z	Bl	n	No.	No.	(kg)		
UCFC201 201-8	1/2	12	3 15/16	3 5/64	2 11/64	25/64	1	15/32	13/64	9/32	13/16	2.4409	1/8	1.2205	0.5000	M10 3/8	UC 201 201-8	FC201	0.78
UCFC202 202-10	5/8	15	3 15/16	3 5/64	2 11/64	25/64	1	15/32	13/64	9/32	13/16	2.4409	1/8	1.2205	0.5000	M10 3/8	UC 202 202-10	FC202	0.78
UCFC203 203-11	1 1/16	17	3 15/16	3 5/64	2 11/64	25/64	1	15/32	13/64	9/32	13/16	2.4409	1/8	1.2205	0.5000	M10 3/8	UC 203 203-11	FC203	0.78
UCFC204-12 204	3/4	20	3 15/16	3 5/64	2 11/64	25/64	1	15/32	13/64	9/32	13/16	2.4409	1/8	1.2205	0.5000	M10 3/8	UC 204-12 204	FC204	0.78
UCFC205-14 205-15 205 205-16	7/8 1 1/16 1 1	25 115	4 17/32	3 35/64	2 1/2	25/64	1 1/16	15/32	15/64	9/32	53/64	2.7559	5/8	1.3386	0.5630	M10 3/8	UC 205-14 205-15 205 205-16	FC205	0.95
UCFC206-18 206 206-19 206-20	1 1/8 1 3/16 1 1/4	30 125	4 29/32	3 15/16	2 25/32	25/64	1 7/32	15/32	5/16	5/16	29/32	3.1496	1 9/32	1.5000	0.6260	M10 3/8	UC 206-18 206 206-19 206-20	FC206	1.4
UCFC207-20 207-21 207-22 207 207-23	1 1/4 1 5/16 1 3/8 1 3/8 1 7/16	35 135	5 5/16	4 21/64	3 1/16	7/16	1 11/32	35/64	5/16	11/32	1 1/32	3.5433	1 7/16	1.6890	0.6890	M12 7/16	UC 207-20 207-21 207-22 207 207-23	FC207	1.7
UCFC208-24 208-25 208	1 1/2 1 9/16	40 145	5 23/32	4 23/32	3 11/32	7/16	1 27/64	35/64	25/64	11/32	1 1/32	3.9370	1 5/8	1.9370	0.7480	M12 7/16	UC 208-24 208-25 208	FC208	2.0
UCFC209-26 209-27 209-28 209	5/8 1 1/16 1 3/4 45	65 160	6 5/16	5 13/64	4 13/64	25/64	1 1/2	5/8	15/32	9/16	1 1/32	4.1339	1 9/32	1.9370	0.7480	M14 1/2	UC 209-26 209-27 209-28 209	FC209	2.8
UCFC210-30 210-31 210	7/8 1 15/16	50 165	6 1/2	5 7/16	4 27/32	25/64	1 9/16	5/8	15/32	9/16	1 3/32	4 1/3	1 11/16	2.0315	0.7480	M14 1/2	UC 210-30 210-31 210	FC210	3.0
UCFC211-32 211-34 211 211-35	2 2 1/8 2 1/8 2 3/16	55 185	7 3/32	5 29/32	4 11/64	33/64	1 11/16	3/4	15/32	19/32	1 7/32	4.9213	1 13/16	2.1890	0.8740	M16 5/8	UC 211-32 211-34 211 211-35	FC211	4.0
UCFC212-36 212 212-38 212-39	2 1/4 2 3/8 2 1/16	60 195	7 11/16	6 19/64	4 29/64	43/64	1 7/8	3/4	15/32	19/32	1 27/64	5.135	2 7/32	2.5630	1.0000	M16 5/8	UC 212-36 212 212-38 212-39	FC212	4.7
UCFC213-40 213	2 1/2	65	8 1/16	6 11/16	4 47/64	5/8	1 31/32	3/4	35/64	19/32	1 27/64	5.7087	2 3/16	2.5630	1.0000	M16 5/8	UC 213-40 213	FC213	5.4
UCFC214-44 214	2 3/4	70	8 15/32	6 31/32	4 59/64	43/64	2 1/8	3/4	35/64	19/32	1 9/16	5.6774	2 13/32	2.9370	1.1890	M16 5/8	UC 214-44 214	FC214	6.8
UCFC215 215-48	3	75	8 21/32	7 1/4	5 1/8	45/64	2 7/32	3/4	5/8	23/32	1 9/16	6.2992	2 15/32	3.0630	1.3110	M16 5/8	UC 215 215-48	FC215	7.3
UCFC216	3 1/4	80	8 7/16	7 7/8	5 9/16	45/64	2 9/32	3/4	5/8	23/32	1 9/16	6.2992	2 15/32	3.0630	1.3110	M20 3/4	UC 216	FC216	8.9
UCFC217-52 217	3 1/4	85	8 21/32	7 1/4	5 1/8	45/64	2 7/32	3/4	5/8	23/32	1 9/16	6.2992	2 15/32	3.0630	1.3110	M20 3/4	UC 217-52 217	FC217	10.4
UCFC218-56 218	3 1/2	90	10 7/16	8 21/32	6 1/8	55/64	2 11/16	29/32	45/64	25/32	1 31/32	7.4803	3 3/32	3.7795	1.5630	M20 3/4	UC 218-56 218	FC218	13.0

带座轴承代号 Bearing Unit	轴径 Shaft Dia	外形尺寸 (英寸) 或 (毫米) Dimensions (in.) or (mm)													螺栓 Bolt Used	轴承代号 Bearing	座代号 Housing	重量 Weight	
No.	d	a	p	e	l	L	S	J	k	g	f	Z	Bl	n	No.	No.	(kg)		
HCFC201 201-8	1/2	12	3 35/64	2 3/4	1 61/64	25/64	29/32	25/64	5/32	13/64	3/4	2.1654	1 5/16	1.0945	0.5472	M10 3/8	HC 201 201-8	FC201	0.6
HCFC202 202-10	5/8	15	3 35/64	2 3/4	1 61/64	25/64	29/32	25/64	5/32	13/64	3/4	2.1654	1 5/16	1.0945	0.5472	M10 3/8	HC 202 202-10	FC202	0.6
HCFC203 203-11	1 1/16	17	3 35/64	2 3/4	1 61/64	25/64	29/32	25/64	5/32	13/64	3/4	2.1654	1 5/16	1.0945	0.5472	M10 3/8	HC 203 203-11	FC203	0.6
HCFC204-12 204	3/4	20	3 15/16	3 5/64	2 11/64	25/64	1	15/32	13/64	9/32	13/16	2.4409	1 7/16	1.3465	0.6732	M10 3/8	HC 204-12 204	FC204	0.83
HCFC205-14 205-15 205 205-16	7/8 1 1/16 1 1	25 115	4 17/32	3 35/64	2 1/2	25/64	1 1/16	15/32	15/64	9/32	53/64	2.7559	1 29/64	1.3701	0.6850	M10 3/8	HC 205-14 205-15 205 205-16	FC205	1.1
HCFC206-18 206 206-19 206-20	1 1/8 1 3/16 1 1/4	30 125	4 29/32	3 15/16	2 25/32	25/64	1 7/32	15/32	5/16	5/16	29/32	3.1496	1 37/64	1.4370	0.7205	M10 3/8	HC 206-18 206 206-19 206-20	FC206	1.5
HCFC207-20 207-21 207-22 207 207-23	1 1/4 1 5/16 1 3/8 1 3/8 1 7/16	35 135	5 5/16	4 21/64	3 1/16	7/16	1 11/32	35/64	5/16	11/32	1 1/32	3.5433	1 45/64	1.4803	0.7402	M12 7/16	HC 207-20 207-21 207-22 207 207-23	FC207	1.7
HCFC208-24 208-25 208	1 1/2 1 9/16	40 145	5 23/32	4 23/32	3 11/32	7/16	1 27/64	35/64	25/64	11/32	1 1/32	3.9370	1 9/16	1.6850	0.8425	M12 7/16	HC 208-24 208-25 208	FC208	2.2
HCFC209-26 209-27 209-28 209	5/8 1 1/16 1 3/4 45	65 160	6 5/16	5 13/64	4 13/64	25/64	1 1/2	5/8	15/32	9/16	1 1/32	4.1339	1 27/32	1.6850	0.8425	M14 1/2	HC 209-26 209-27 209-28 209	FC209	2.8
HCFC210-30 210-31 210	7/8 1 15/16	50 165	6 1/2	5 7/16	4 27/32	25/64	1 9/16	5/8	15/32	9/16	1 3/32	4.3307	1 57/64	1.9370	0.9685	M14 1/2	HC 210-30 210-31 210	FC210	3.3
HCFC211-32 211-34 211 211-35	2 2 1/8 2 1/8 2 3/16	55 185	7 3/32	5 29/32	4 11/64	33/64	1 11/16	3/4	15/32	19/32	1 7/32	4.9213	2 15/64	2.1850	1.0940	M16 5/8	HC 211-32 211-34 211 211-35	FC211	4.5
HCFC212-36 212 212-38 212-39	2 1/4 2 3/8 2 1/16	60 195	7 11/16	6 19/64	4 29/64	43/64	1 7/8	3/4	15/32	19/32	1 27/64	5.1350	2 33/64	2.4370	1.2200	M16 5/8	HC 212-36 212 212-38 212-39	FC212	5.7
HCFC213-40 213	2 1/2	65	8 1/16	6 11/16	4 47/64	5/8	1 31/32	3/4	35/64	19/32	1 27/64	5.7087	2 43/64	2.7031	1.3425	M16 5/8	HC 213-40 213	FC213	6.5
HCFC215 215-48	3	75	8 21/32	7 1/4	5 1/8	45/64	2 7/32	3/4	5/8	23/32	1 9/16	6.2992	2 55/64	2.9531	1.4685	M16 5/8	HC 215 215-48	FC215	8.0



带座轴承代号 Bearing Unit	轴径 Shaft Dia	外形尺寸 (英寸) 或 (毫米) Dimensions (in.) or (mm)													螺栓 Bolt Used	轴承代号 Bearing	紧定套 Adapter sleeve	座代号 Housing	重量 Weight
No.	d	a	p	e	i	L	S	J	k	g	f	Z	S1	No.	No.	No.	No.	(kg)	
	(in.)	(mm)	(in.)	(mm)	(in.)	(mm)	(in.)	(mm)	(in.)	(mm)	(in.)	(mm)	(in.)	(mm)	(in.)	(mm)	(in.)	(mm)	(in.)
UKFC205+HE2305 205+H2305	3/4	4 17/32	3 35/64	2 1/2	25/64	1 1/16	15/32	15/64	9/32	53/64	2.7559	1 5/32	0.7677	M10	3/8	UK 205	HE2305 H2305	FC205	0.98
UKFC206+HS2306 206+HA2306 206+H2306 206+HE2306	7/8	4 29/32	3 15/16	2 5/32	25/64	1 7/32	15/32	5/16	5/16	29/32	3.1496	1 7/32	0.8268	M10	3/8	UK 206	HS2306 HA2306 H2306 HE2306	FC206	1.2
UKFC207+HS2307 207+H2307 207+HA2307	1 1/8	5 5/16	4 21/64	3 1/16	7/16	1 11/32	35/64	5/16	1 1/32	1 1/32	3.5433	1 5/16	0.8858	M12	7/16	UK 207	HS2307 H2307 HA2307	FC207	1.7
UKFC208+HE2308 208+HS2308 208+H2308	1 1/4	5 23/32	4 23/32	3 11/32	7/16	1 13/32	35/64	25/64	1 1/32	1 1/32	3.9370	1 23/32	0.9646	M12	7/16	UK 208	HE2308 HS2308 H2308	FC208	2.0
UKFC209+HA2309 209+HE2309 209+H2309	1 1/2	6 5/16	5 13/64	4 3/64	25/64	1 1/2	5/8	15/32	9/16	1 1/32	4.1339	1 27/64	1.0236	M14	1/2	UK 209	HA2309 HE2309 H2309	FC209	2.7
UKFC210+HS2310 210+HA2310 210+HE2310 210+H2310	1 5/8	6 1/2	5 7/16	4 27/32	25/64	1 9/16	5/8	15/32	9/16	1 3/32	4.3307	1 15/32	1.0827	M14	1/2	UK 210	HS2310 HA2310 HE2310 H2310	FC210	3.0
UKFC211+HS2311 211+HA2311 211+H2311 211+HE2311	1 7/8	7 9/32	6 29/32	5 11/64	33/64	1 11/16	3/4	15/32	19/32	1 7/32	4.9213	1 41/64	1.1221	M16	5/8	UK 211	HS2311 Ha2311 H2311 HE2311	FC211	4.2
UKFC212+HA2312 212+H2312	2 1/8	7 11/16	6 19/64	5 29/64	43/64	1 7/8	3/4	15/32	19/32	1 27/64	5.3150	1 57/64	1.2205	M16	5/8	UK 212	HA2312 H2312	FC212	4.9
UKFC213+HA2313 213+HE2313 213+H2313 213+HS2313	2 3/16	8 1/16	7 1/16	6 47/64	5/8	1 31/32	3/4	35/64	19/64	1 27/64	5.7087	1 59/64	1.2992	M16	5/8	UK 213	HA2313 HE2313 H2313 HS2313	FC213	5.6
UKFC215+HA2315 215+HE2315 215+H2315	2 7/16	8 21/32	7 1/4	6 5/8	45/64	2 7/32	3/4	5/8	23/32	1 9/16	6.2992	2 7/64	1.3976	M16	5/8	UK 215	HA2315 HE2315 H2315	FC215	7.5
UKFC216+HA2316 216+HE2316 216+H2316	2 11/16	9 7/16	8 7/8	7 5/8	45/64	2 9/32	29/32	5/8	23/32	1 21/32	6.929	2 1/4	1.5354	M20	3/4	UK 216	HA2316 HE2316 H2316	FC216	8.9
UKF 217+HA2317 217+H2317 217+HE2317	2 15/16	9 27/32	8 3/16	7 5/16	45/64	2 15/32	29/32	45/64	25/32	1 25/32	7.0886	2 21/64	1.6142	M20	3/4	UK 217	HA2317 H2317 HE2317	FC217	10.4
UKF 218+H2318	3	10 7/16	9 21/32	8 1/8	55/64	2 11/16	29/32	45/64	25/32	1 31/32	7.4803	2 23/64	1.6535	M20	3/4	UK 218	H2318	FC218	13.3

带座轴承代号 Bearing Unit	轴径 Shaft Dia	外形尺寸 (英寸) 或 (毫米) Dimensions (in.) or (mm)													螺栓 Bolt Used	轴承代号 Bearing	座代号 Housing	重量 Weight	
No.	d	a	p	e	i	L	S	J	k	g	f	Z	Bi	n	No.	No.	No.	(kg)	
	(in.)	(mm)	(in.)	(mm)	(in.)	(mm)	(in.)	(mm)	(in.)	(mm)	(in.)	(mm)	(in.)	(mm)	(in.)	(mm)	(in.)	(mm)	(in.)
UCFCX05-14 X05-15 X05-16	7/8	4 3/8	3 5/8	2 9/16	25/64	1 3/16	3/8	15/64	3/8	15/16	2.9921	1 17/64	1.5000	0.6260	M8	5/16	UC X05-14 X05-15 X05-16	FCX05	1.2
UCFCX06-18 X06 X06-19 X06-20	1 1/8	5 9/64	4 25/64	3 5/16	5/16	1 17/64	15/32	3/8	3/8	7/8	3.3464	1 5/16	1.6890	0.6890	M10	3/8	UC X06-18 X06 X06-19 X06-20	FCX06	1.5
UCFCX07-20 X07-21 X07-22 X07	1 1/4	5 1/4	4 3/8	3 3/32	23/64	1 29/64	15/32	7/16	7/16	1 1/32	3.6220	1 35/64	1.9370	0.7480	M10	3/8	UC X07-20 X07-21 X07-22 X07	FCX07	1.9
UCFCX08-24 X08-25 X08	1 1/2	5 1/4	4 3/8	3 3/32	23/64	1 29/64	15/32	7/16	7/16	1 1/32	3.6220	1 35/64	1.9370	0.7480	M10	3/8	UC X08-24 X08-25 X08	FCX08	2.0
UCFCX09-26 X09-27 X09-28 X09	1 5/8	6 3/32	5 1/8	4 3/8	5/16	1 29/64	35/64	15/32	7/16	1	4.2520	1 19/32	2.0315	0.7480	M12	7/16	UC X09-26 X09-27 X09-28 X09	FCX09	2.6
UCFCX10-30 X10-31 X10	1 7/8	6 3/8	5 23/64	4 25/32	9/32	1 5/8	35/64	5/8	7/16	1	4.6457	1 19/32	2.1890	0.8740	M12	7/16	UC X10-30 X10-31 X10	FCX10	3.2
UCFCX11-32 X11-34 X11 X11-35	2	7 3/32	6 3/64	5 15/64	5/32	1 57/64	5/8	55/64	1/2	1 1/32	5.0000	1 23/32	2.5630	1.0000	M14	1/2	UC X11-32 X11-34 X11 X11-35	FCX11	4.2
UCFCX12-36 X12 X12-38 X12-39	2 1/4	8 7/8	7 1/2	6 41/32	7/16	2 3/32	5/8	25/32	9/16	1 5/16	5.5118	2	2.5630	1.0000	M14	1/2	UC X12-36 X12 X12-38 X12-39	FCX12	5.3
UCFCX13-40 X13	2 1/2	9 5/8	8 1/2	7 19/32	7/16	2 3/32	5/8	25/32	9/16	1 5/16	5.5118	2 3/16	2.9370	1.1890	M14	1/2	UC X13-40 X13	FCX13	5.7
UCFCX14-44 X14	2 3/4	10 3/4	9 3/16	8 9/32	35/64	2 7/32	3/4	25/32	9/16	1 27/64	6.4567	2 5/16	3.0630	1.3110	M16	5/8	UC X14-44 X14	FCX14	7.4
UCFCX15 X15-48	3	11 3/4	10 3/8	9 1/32	15/32	2 1/4	3/4	55/64	5/8	1 3/8	6.4567	2 13/32	2.520	1.3110	M16	5/8	UC X15 X15-48	FCX15	7.9
UCFCX16	3 1/4	12 1/4	11 1/8	10 1/32	25/64	2 13/32	29/32	63/64	3/4	1 27/64	7.3228	2 27/64	3.740	1.3425	M20	3/4	UC X16	FCX16	11.5
UCFCX17-52 X17	3 1/2	13 1/4	12 1/8	11 1/32	25/64	2 13/32	29/32	63/64	3/4	1 27/64	7.3228	2 27/64	3.7795	1.5630	M20	3/4	UC X17-52 X17	FCX17	13.0
UCFCX18-56 X18	3 3/4	14 1/4	13 1/8	12 1/32	15/32	2 51/64	29/32	7/64	3/4	1 11/16	7.3228	2 7/8	4.0945	1.6890	M20	3/4	UC X18-56 X18	FCX18	14.0
UCFCX20 X20-64	4	15 7/8	14 3/8	13 1/8	55/64	3 45/64	29/32	7/64	55/64	2 19/32	8.1102	3 9/16	4.6260	1.9370	M20	3/4	UC X20 X20-64	FCX20	18.1

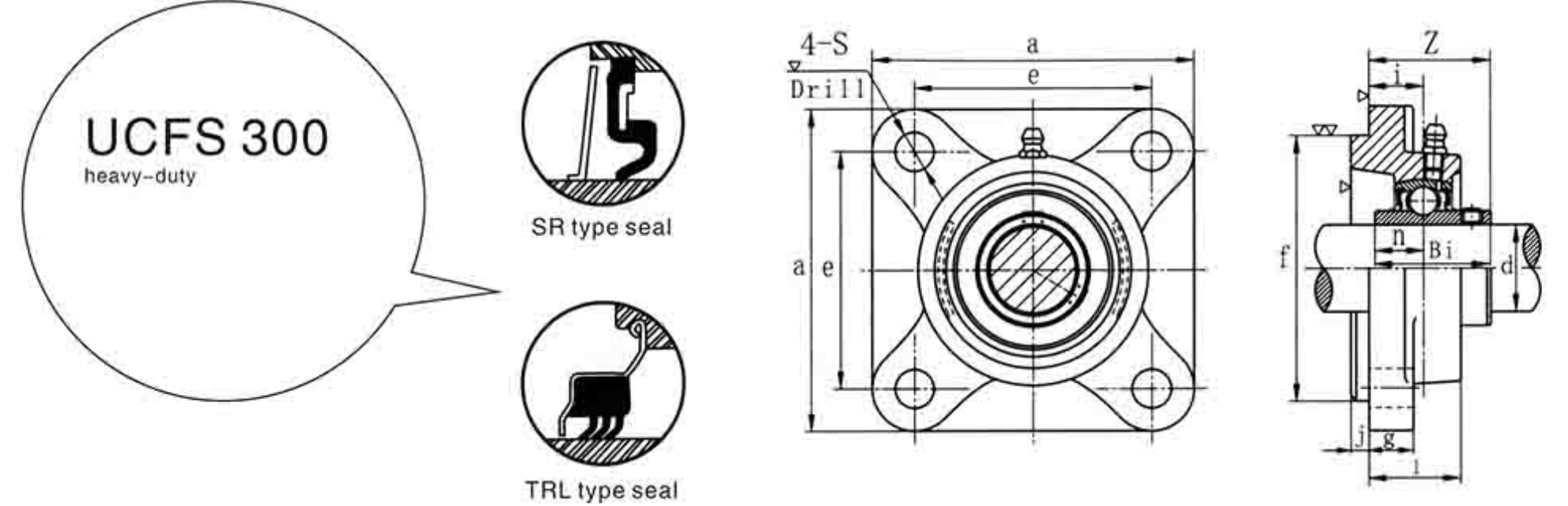


UKFC X00  
medium-duty



SR type seal

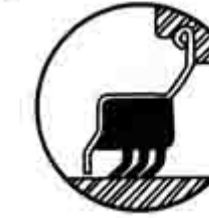
带座轴承代号 Bearing Unit	轴径 Shaft Dia	外形尺寸 (英寸) 或 (毫米) Dimensions (in.) or (mm)													螺栓 Bolt Used	轴承代号 Bearing	紧定套 Adapter sleeve	座代号 Housing	重量 Weight
No.	d	a	p	e	i	l	s	j	k	g	f	Z	S1	No.	No.	No.	(kg)		
	(in.)	(mm)	(in.)	(mm)	(in.)	(mm)	(in.)	(mm)	(in.)	(mm)	(in.)	(mm)	(in.)	(mm)	(in.)	(mm)	(kg)		
UKFCX05+HE2305 X05+H2305	3/4	4 3/8	3 5/8	2 9/16	2 5/8	1 3/16	3/8	1 5/8	3/8	1 5/16	2.9921	1 7/32	0.8268	M8	5/16 UK X05	He2305 H2305	FC X05	1.2	
UKFCX06+HS2306 X06+HA2306 X06+H2306 X06+HE2306	7/8	5	4 9/64	2 59/64	5/16	1 17/64	1 5/32	3/8	3/8	7/8	3.3465	1 5/32	0.8465	M10	3/8 UK X06	HS2306 HA2306 H2306 HE2306	FC X06	1.4	
UKFCX07+HS2307 X07+H2307 X07+HA2307	1 1/8	5 1/4	4 3/8	3 3/32	2 3/64	1 29/64	1 5/32	7/16	7/16	1 1/32	3.6220	1 9/32	0.9252	M10	3/8 UK X06	HS2307 H2307 HA2307	FC X07	1.9	
UKFCX08+HE2308 X08+HS2308 X08+H2308	1 1/4	5 1/4	4 3/8	3 3/32	2 3/64	1 29/64	1 5/32	7/16	7/16	1 1/32	3.6220	1 11/32	0.9843	M10	3/8 UK X06	HE2308 HS2308 H2308	FC X08	1.9	
UKFCX09+HA2309 X09+HE2309 X09+H2309	1 1/2	5 3/32	5 1/8	3 5/8	5/16	1 29/64	9/16	1 5/32	7/16	1	4.2520	1 23/64	1.0433	M12	7/16 UK X09	HA2309 HS2309 H2309	FC X09	2.6	
UKFCX10+HS2310 X10+HA2310 X10+HE2310 X10+H2310	1 5/8	6 3/8	5 23/64	3 25/32	9/32	1 5/8	9/16	5/8	7/16	1	4.6457	1 25/64	1.1220	M12	7/16 UK X10	HS2310 HA2310 HE2310 H2310	FC X10	3.1	
UKFCX11+HS2311 X11+HA2311 X11+H2311 X11+HE2311	1 7/8	7 3/32	6 3/32	4 15/64	5/32	1 57/64	5/8	5 5/64	1/2	1 1/32	5.0000	1 11/32	1.1811	M14	1/2 UK X11	HS2311 HA2311 H2311 HE2311	FC X11	4.0	
UKFCX12+HS2312 X12+H2312	2 1/8	7 5/8	6 1/2	4 19/32	7/16	2 3/32	5/8	2 5/32	9/16	1 5/16	5.5118	1 11/16	1.2598	M14	1/2 UK X12	HS2312 H2312	FC X12	5.2	
UKFCX13+HA2313 X13+HE2313 X13+H2313 X13+HS2313	2 3/16	7 5/8	6 1/2	4 19/32	7/16	2 3/32	5/8	2 5/32	9/16	1 5/16	5.5118	1 49/64	1.3386	M14	1/2 UK X13	HA2313 HE2313 H2313 HS2313	FC X13	5.4	
UKFCX15+HA2315 X15+HE2315 X15+H2315	2 7/16	8 3/4	7 31/64	5 9/32	1 5/32	2 1/4	3/4	5 5/64	5/8	1 3/8	6.4567	1 59/64	1.4567	M16	5/8 UK X15	HA2315 HE2315 H2315	FC X15	7.7	
UKFCX16+HA2316 X16+HE2316 X16+H2316	2 11/16	10 1/4	8 5/8	6 3/32	2 5/64	2 13/32	2 9/32	6 3/64	3/4	1 13/32	7.3228	1 31/32	1.5748	M20	3/4 UK X16	HA2316 HE2316 H2316	FC X16	11.4	
UKFCX17+HA2317 X17+H2317 X17+HE2317	2 15/16	10 1/4	8 5/8	6 3/32	2 5/64	2 13/32	2 9/32	6 3/64	3/4	1 13/32	7.3228	2 1/16	1.6732	M20	3/4 UK X17	HA2317 H2317 HE2317	FC X17	12.6	
UKFCX18+H2318	80	10 1/4	8 5/8	6 3/32	1 5/32	2 51/64	2 9/32	1 7/64	3/4	1 11/16	7.3228	2 13/64	1.7322	M20	3/4 UK X18	H2318	FC X18	13.1	
UKFCX20+HE2320	90	10 7/8	9 3/8	6 5/8	5/64	3 45/64	2 9/32	1 7/64	5 5/64	2 19/32	8.1102	2 51/64	1.9291	M20	3/4 UK X20	H2320	FC X20	17.1	



UCFS 300  
heavy-duty

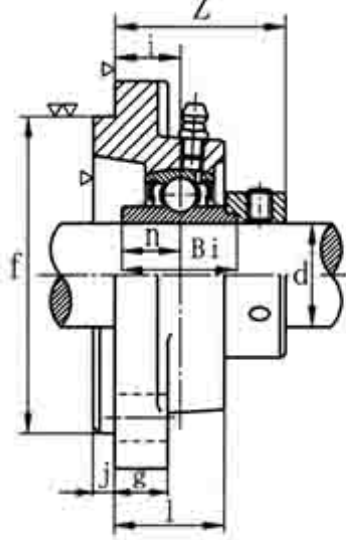
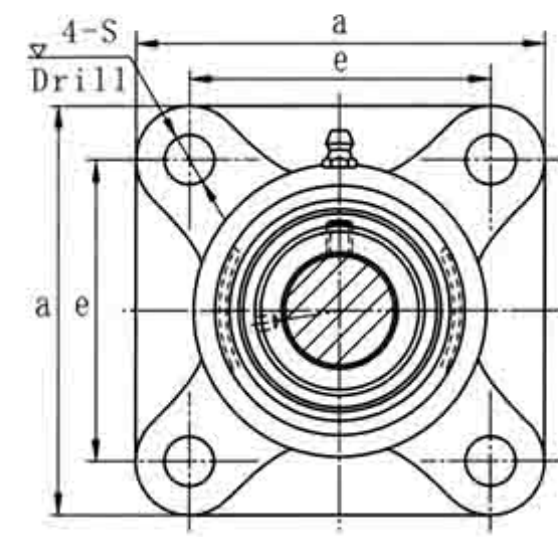


SR type seal

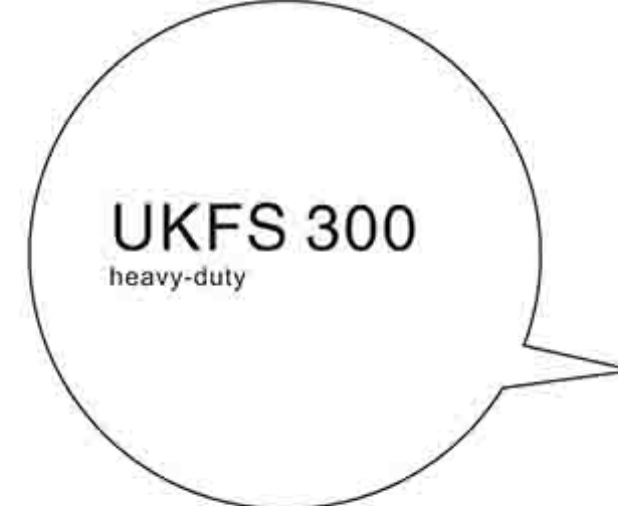


TRL type seal

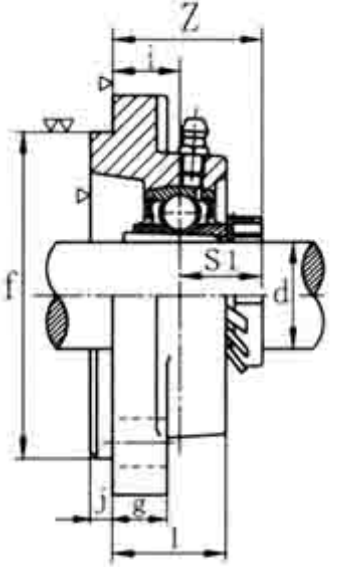
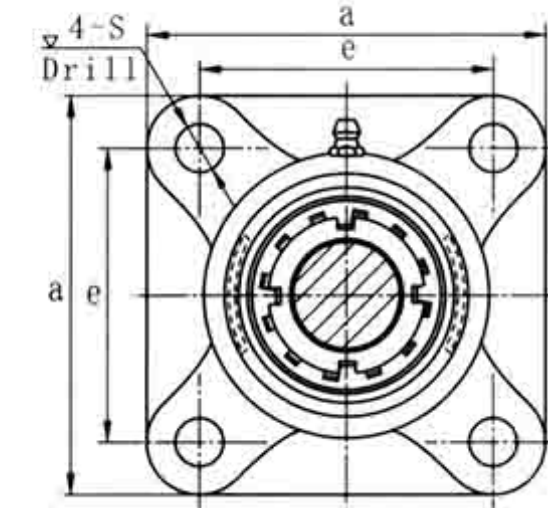
带座轴承代号 Bearing Unit	轴径 Shaft Dia	外形尺寸 (英寸) 或 (毫米) Dimensions (in.) or (mm)													螺栓 Bolt Used	轴承代号 Bearing	座代号 Housing	重量 Weight
No.	d	e	a	i	g	j	S	l	f	Z	Bi	n	No.	No.	No.	(kg)		
	(in.)	(mm)	(in.)	(mm)	(in.)	(mm)	(in.)	(mm)	(in.)	(mm)	(in.)	(mm)	(in.)	(mm)	(in.)	(kg)		
UCFS305 305-16	1	25	4 21/64	3 5/32	2 3/64	3 3/64	9/32	5/8	5 5/64	3.1496	1 17/64	1.4961	0.5906	M14	1/2 UC 305 305-16	FS 305	1.4	
UCFS306-18 306 306-20	1 1/8	30	4 59/64	3 47/64	2 5/64	1 9/32	5/16	5/8	1 5/16	3.5433	1 27/64	1.6929	0.6693	M14	1/2 UC 306-18 306 306-20	FS 306	1.9	
UCFS307-20 307-22 307	1 1/4	35	4 5/16	3 15/16	7/16	5/8	2 3/64	3/4	1 1/16	3.9370	1 37/64	1.8897	0.7480	M16	5/8 UC 307-20 307-22 307	FS 307	2.4	
UCFS308-24 308	1 1/2	40	5 29/32	4 13/32	3 3/64	4 3/64	2 5/64	3/4	1 7/16	4.5276	2 13/16	2.0472	0.7480	M16	5/8 UC 308-24 308	FS 308	3.3	
UCFS309-28 309	1 3/4	45	6 19/64	4 59/64	3 5/64	4 5/64	7/16	3/4	1 19/64	4.9213	1 59/64	2.2441	0.8661	M16	5/8 UC 309-28 309	FS 309	4.0	
UCFS310-31 310 310-32	1 15/16	50	6 57/64	5 13/64	5/8	3/8	1 5/32	2 9/32	1 27/64	5.5118	2 11/64	2.4015	0.8661	M20	3/4 UC 310-31 310 310-32	FS 310	5.3	
UCFS311-32 311	2	55	7 9/32	5 33/64	4 3/64	2 5/32	3 3/64	2 9/32	1 17/32	5.9055	2 9/32	2.5984	0.9842	M20	3/4 UC 311-32 311	FS 311	6.2	
UCFS312-36 312	2 1/4	60	7 43/64	5 29/32	3/4	5 5/64	3 5/64	2 9/32	1 21/32	6.2992	2 33/64	2.7953	1.0236	M20	3/4 UC 312-36 312	FS 312	7.4	
UCFS313-40 313	2 1/2	65	8 3/16	6 17/32	1 9/32	5 5/64	4 5/64	2 9/32	1 37/64	6.8897	2 23/64	2.9528	1.1881	M20	3/4 UC 313-40 313	FS 313	8.6	
UCFS314-44 314	2 3/4	70	8 57/64	7	4 5/64	6 3/64	4 5/64	6 3/64	1 11/16	7.2834	2 31/64	3.0709	1.2992	M22	7/8 UC 314-44 314	FS 314	11.2	
UCFS315 315-48	3	75	9 9/32	7 1/4	5 3/64	6 3/64	4 5/64	6 3/64	1 57/64	7.874	2 51/64	3.2283	1.2598	M22	7/8 UC 315 315-48	FS 315	12.7	
UCFS316 316-50	3 1/8	80	9 27/32	7 23/32	4 5/64	1 1/16	2 5/32	1 7/32	1 57/64	8.2677	2 3/4	3.3858	1.3386	M27	1 UC 316 316-50	FS 316	14.3	
UCFS317-52 317	3 1/4	85	10 15/64	8 1/32	1 5/16	1 1/16	2 5/32	1 7/32	2 1/8	8.6614	3 5/32	3.7795	1.5087	M27	1 UC 317-52 317	FS 317	17.2	
UCFS318-56 318	3 1/2	90	11 1/32	8 1/2	1 5/16	1 3/16	2 5/32	1 3/8	2 13/64	9.4488	3 5/32	3.7795	1.5748	M30	1 1/8 UC 318-56 318	FS 318	20.4	
UCFS319	95	11 27/64	8 31/32	1 17/32	1 3/16	2 5/32	1 3/8	2 29/32	3 31/32	9.8425	3 31/32	4.0551	1.6142	M30	1 1/8 UC 319	FS 319	23.9	
UCFS320 320-64	4	100	12 13/64	9 17/32	1 17/32	1 17/64	2 5/32	1 1/2	3 29/32	10.2362	4 9/64	4.2519	1.6535	M33	1 1/8 UC 320 320-64	FS 320	27.1	
UCFS322	110	13 25/64	10 15/32	1 3/8	1 3/8	6 3/64	1 39/64	2 51/64	1 11/16	11.8110	4 11/64	4.6063	1.8110	M36	1 3/8 UC 322	FS 322	36.8	
UCFS324	120	14 9/16	11 27/64	1 3/8	1 37/64	1 3/16	1 39/64	3 5/32	1 11/16	12.9921	4 21/64	4.9606	2.0079	M36	1 3/8 UC 324	FS 324	50.6	
UCFS326	130	16 9/64	12 19/32	1 3/8	1 49/64	1 3/16	1 39/64	3 11/32	1 14/16	14.1732	4 9/16	5.3150	2.1260	M36	1 3/8 UC 326	FS 326	67.8	
UCFS328	140	17 23/32	13 25/32	1 49/64	2 11/64	1 3/16	1 39/64	3 47/64	1 5/8	15.7480	5 5/32	5.7086	2.3228	M36	1 3/8 UC 328	FS 328	96.3	



HCFS 300  
heavy-duty



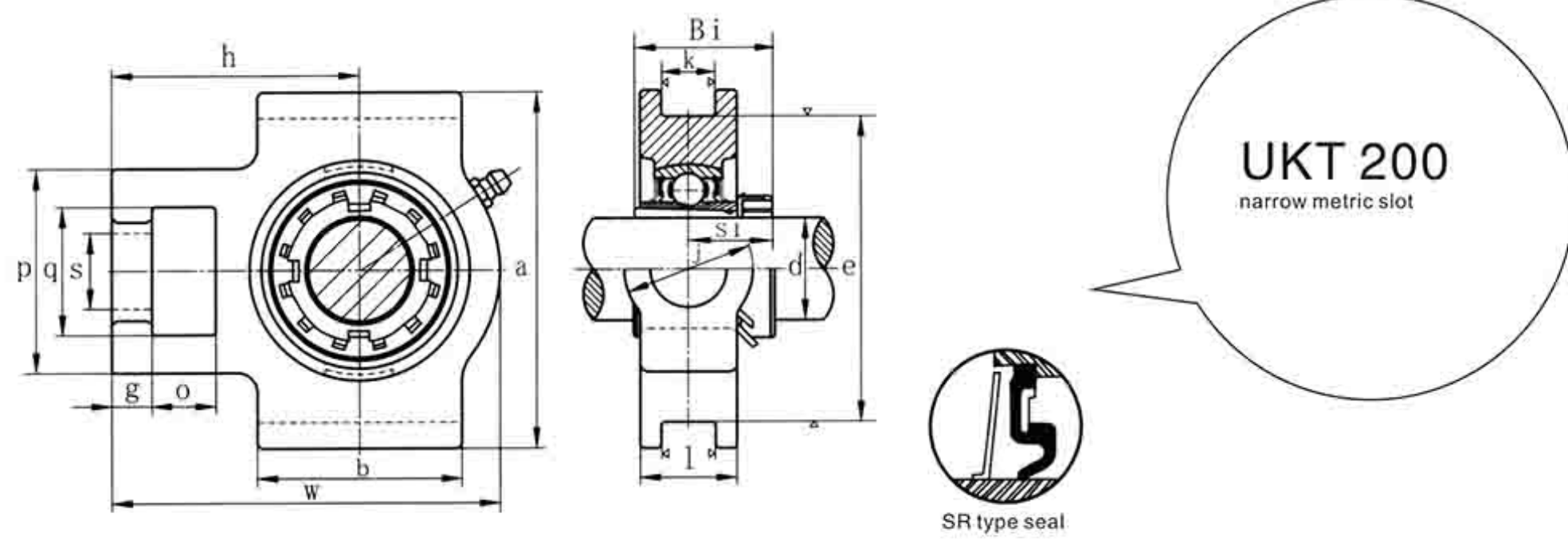
UKFS 300  
heavy-duty



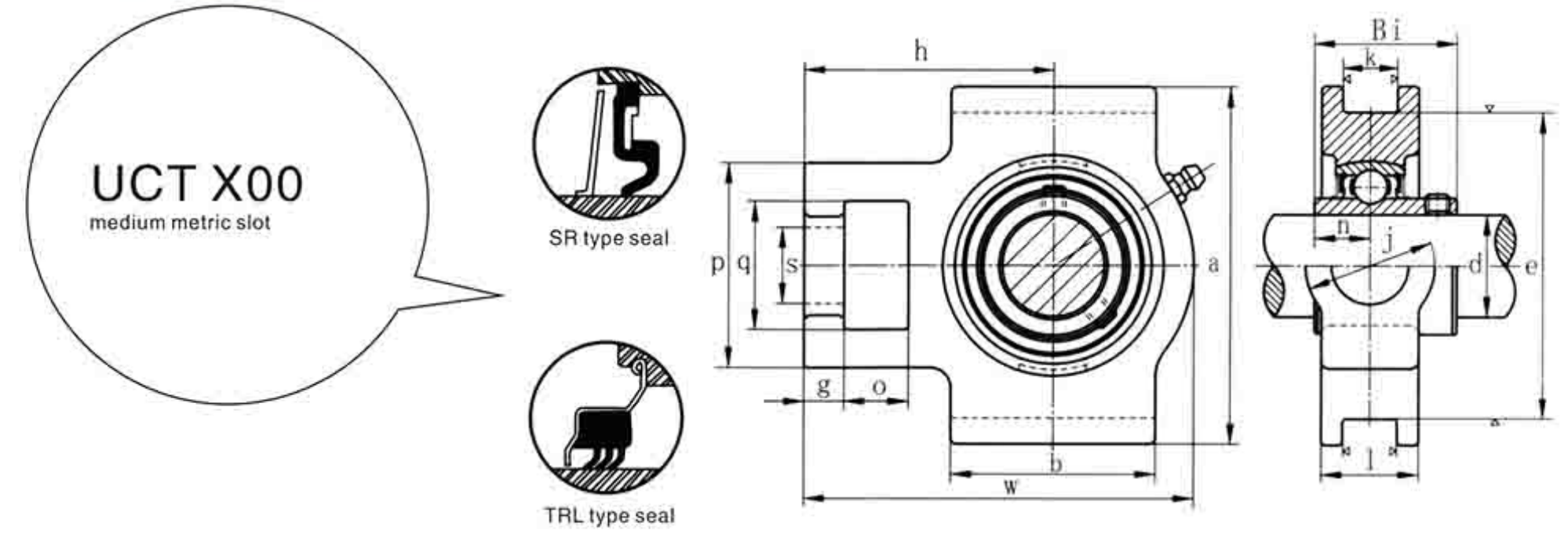
带座轴承代号 Bearing Unit	轴径 Shaft Dia	外形尺寸 (英寸) 或 (毫米) Dimensions(in)or(mm)											螺栓 Bolt Used	轴承代号 Bearing	座代号 Housing	重量 Weight
No.	d	a	e	i	g	j	S	l	f	Z	Bi	n	No.	No.	No.	(kg)
(in.)(mm)																
HCFS305 305-16	25 1	4 <sup>21/64</sup> 110	3 <sup>5/32</sup> 80	23/64 9	33/64 13	9/32 7	5/8 16	55/64 22	3.1496 80	1 <sup>35/64</sup> 39.1	1.3740 34.9	0.6575 16.7	M14 1/2	HC 305 305-16	FS 305	1.4
HCFS306-18 306 306-20	1 1/8 30 1 1/4	4 <sup>59/64</sup> 125	3 <sup>47/64</sup> 95	25/64 10	19/32 15	5/16 8	5/8 16	15/16 24	3.5433 90	1 <sup>43/64</sup> 42.5	1.4370 36.5	0.6890 17.5	M14 1/2	HC 306-18 306 306-20	FS 306	2.0
HCFS307-20 307-22 307	1 1/4 1 3/8 35	5 <sup>5/16</sup> 135	3 <sup>15/16</sup> 100	7/16 11	5/8 16	23/64 9	3/4 19	1 <sup>1/16</sup> 27	3.9370 100	1 <sup>3/4</sup> 44.3	1.5000 38.1	0.7205 18.3	M16 5/8	HC 307-20 307-22 307	FS 307	2.4
HCFS308-24 308	1 1/2 40	5 <sup>29/32</sup> 150	4 <sup>13/32</sup> 112	33/64 13	43/64 17	25/64 10	3/4 19	7/16 30	4.5276 115	1 <sup>63/64</sup> 50.3	1.6260 41.3	0.7795 19.8	M16 5/8	HC 308-24 308	FS 308	3.4
HCFS309-28 309	1 3/4 45	6 <sup>19/64</sup> 160	4 <sup>59/64</sup> 125	35/64 14	45/64 18	7/16 11	3/4 19	1 <sup>9/64</sup> 33	4.9213 125	2 <sup>5/64</sup> 52.9	1.6890 42.9	0.7795 19.8	M16 5/8	HC 309-28 309	FS 309	4.2
HCFS310-31 310 310-32	1 5/16 50 2	6 <sup>57/64</sup> 175	5 <sup>13/64</sup> 132	5/8 16	3/4 19	15/32 12	29/32 23	1 <sup>27/64</sup> 36	5.5118 140	2 <sup>9/32</sup> 58	1.9370 49.2	0.9685 24.6	M20 3/4	HC 310-31 310 310-32	FS 310	5.5
HCFS311-32 311	2 55	7 <sup>9/32</sup> 185	5 <sup>33/64</sup> 140	43/64 17	25/32 20	33/64 13	29/32 23	1 <sup>17/32</sup> 39	5.9055 150	2 <sup>29/64</sup> 62.2	2.1890 55.6	1.0945 27.8	M20 3/4	HC 311-32 311	FS 311	6.5
HCFS312-36 312	2 1/4 60	7 <sup>43/64</sup> 195	5 <sup>29/32</sup> 150	3/4 19	55/64 22	35/64 14	29/32 23	1 <sup>21/32</sup> 42	6.2992 160	2 <sup>21/32</sup> 67.5	2.4370 61.9	1.2185 30.95	M20 3/4	HC 312-36 312	FS 312	7.5
HCFS313-40 313	2 1/2 65	8 <sup>3/16</sup> 208	6 <sup>17/32</sup> 166	19/32 15	55/64 22	45/64 18	29/32 23	1 <sup>37/64</sup> 40	6.8897 175	2 <sup>11/16</sup> 68.2	2.5630 65.1	1.2795 32.5	M20 3/4	HC 313-40 313	FS 313	9.3
HCFS314-44 314	2 3/4 70	8 <sup>57/64</sup> 226	7 178	45/64 18	63/64 25	45/64 18	63/64 25	1 <sup>11/16</sup> 43	7.2834 185	2 <sup>63/64</sup> 76	2.6890 68.3	1.3445 34.15	M22 7/8	HC 314-44 314	FS 314	11
HCFS315 315-48	75 3	9 <sup>9/32</sup> 236	7 <sup>1/4</sup> 184	53/64 21	63/64 25	45/64 18	63/64 25	1 <sup>57/64</sup> 48	7.874 200	3 <sup>19/64</sup> 83.7	2.9370 74.6	1.4685 37.3	M22 7/8	HC 315 315-48	FS 315	13
HCFS316 316-50	80 3 1/8	9 <sup>27/32</sup> 250	7 <sup>23/32</sup> 196	45/64 18	1 <sup>1/16</sup> 27	25/32 20	1 <sup>7/32</sup> 31	1 <sup>57/64</sup> 48	8.2677 210	3 <sup>19/64</sup> 83.9	3.1890 81	1.5945 40.5	M27 1	HC 316 316-50	FS 316	16
HCFS317-52 317	3 1/4 85	10 <sup>15/64</sup> 260	8 <sup>1/32</sup> 204	15/16 24	1 <sup>1/16</sup> 27	25/32 20	1 <sup>7/32</sup> 31	2 <sup>1/8</sup> 54	8.6614 220	3 <sup>39/64</sup> 91.5	3.3110 84.1	1.6535 42	M27 1	HC 317-52 317	FS 317	19
HCFS318-56 318	3 1/2 90	11 <sup>1/32</sup> 280	8 <sup>1/2</sup> 216	15/16 24	1 <sup>3/16</sup> 30	25/32 20	1 <sup>3/8</sup> 35	2 <sup>13/64</sup> 56	9.4488 240	3 <sup>51/64</sup> 96.3	3.4370 87.3	1.7165 43.6	M30 1 1/8	HC 318-56 318	FS 318	23
HCFS319 319	95 290	11 <sup>27/64</sup> 228	8 <sup>31/32</sup> 239	1 <sup>17/32</sup> 30	1 <sup>3/16</sup> 30	25/32 20	1 <sup>3/8</sup> 35	3 <sup>29/32</sup> 74	9.8425 250	3 <sup>33/64</sup> 114.5	3.6890 93.7	1.8425 46.8	M30 1 1/8	HC 319 319	FS 319	26
HCFS320 320-64	100 4	12 <sup>13/64</sup> 310	9 <sup>17/32</sup> 242	1 <sup>17/32</sup> 32	1 <sup>17/64</sup> 32	25/32 20	1 <sup>1/2</sup> 38	3 <sup>29/32</sup> 74	10.2362 260	4 <sup>5/8</sup> 117.6	3.9370 100	1.9685 50	M33 1 1/4	HC 320 320-64	FS 320	32

带座轴承代号 Bearing Unit	轴径 Shaft Dia.	外形尺寸 (英寸) (毫米) Dimensions(in)or(mm)											螺栓 Bolt used	轴承代号 Bearing	紧定套 Adapter Sleeve	座代号 Bearing	重量 Weight
No.	d	a	e	i	g	l	S	j	f	Z	S1	No.	No.	No.	(kg)		
(in.)(mm)																	
UKFS 305+HE2305 305+H2305	3/4 20	4 <sup>11/32</sup> 110	3 <sup>5/32</sup> 80	23/64 9	1/2 13	55/64 22	5/8 16	9/32 7	3 <sup>5/32</sup> 80	1 <sup>3/16</sup> 30	0.8437 21.5	M14 1/2	UK 305	HE2305 H2305	FS 305	1.3	
UKFS 306+HS2306 306+HA2306 306+H2306 306+HE2306	7/8 15/16 1 1	4 <sup>29/32</sup> 125	3 <sup>47/64</sup> 95	25/64 10	19/32 15	15/16 24	5/8 16	5/16 8	3 <sup>35/64</sup> 90	1 <sup>9/32</sup> 32.5	0.9062 23	M14 1/2	UK 306	HS2306 HA2306 H2306 HE2306	FS 306	1.9	
UKFS 307+HS2307 307+H2307 307+HA2307	1 1/8 1 1/8 1 1/8	5 <sup>5/16</sup> 135	3 <sup>15/16</sup> 100	7/16 11	5/8 16	1 <sup>1/16</sup> 27	3/4 19	23/64 9	3 <sup>15/16</sup> 100	1 <sup>25/64</sup> 35.5	1.0000 25.5	M16 5/8	UK 307	HS2307 H2307 HA2307	FS 307	2.4	
UKFS 308+HE2308 308+HS2308 308+H2308	1 1/8 1 1/8 1 1/8	5 <sup>29/32</sup> 150	4 <sup>13/32</sup> 112	33/64 13	21/32 17	1 <sup>3/16</sup> 30	3/4 19	25/64 10	4 <sup>17/32</sup> 115	1 <sup>37/64</sup> 40	1.0781 27.5	M16 5/8	UK 308	HE2308 HS2308 H2308	FS 308	3.3	
UKFS 309+HA2309 309+HE2309 309+H2309	1 7/16 1 1/2 1 1/2	6 <sup>5/16</sup> 160	4 <sup>59/64</sup> 125	35/64 14	23/32 18	1 <sup>9/64</sup> 33	3/4 19	7/16 11	4 <sup>59/64</sup> 125	1 <sup>23/32</sup> 43.5	1.1875 30	M16 5/8	UK 309	HA2309 HE2309 H2309	FS 309	4.1	
UKFS 310+HS2310 310+HA2310 310+HE2310 310+H2310	1 5/8 1 1/2 1 1/2 1 1/4	6 <sup>7/8</sup> 175	5 <sup>13/64</sup> 132	5/8 16	3/4 19	1 <sup>27/64</sup> 36	29/32 23	15/32 12	5 <sup>33/64</sup> 140	1 <sup>57/64</sup> 48	1.2656 32	M20 3/4	UK 310	HS2310 HA2310 HE2310 H2310	FS 310	5.3	
UKFS 311+HS2311 311+HA2311 311+H2311 311+HE2311	1 15/16 1 15/16 1 15/16 1 15/16	7 <sup>9/32</sup> 185	5 <sup>33/64</sup> 140	43/64 17	25/32 20	33/64 13	29/32 23	33/64 13	5 <sup>29/32</sup> 150	1 <sup>63/64</sup> 50.5	1.3125 33.5	M20 3/4	UK 311	HS2311 HA2311 H2311 HE2311	FS 311	6.2	
UKFS 312+HS2312 312+H2312	2 1/8 55	7 <sup>11/16</sup> 195	5 <sup>29/32</sup> 150	3/4 19	7/8 22	2 <sup>1/32</sup> 42	29/32 23	35/64 14	6 <sup>19/64</sup> 160	2 <sup>11/64</sup> 55	1.4375 36.5	M20 3/4	UK 312	HS2312 H2312	FS 312	7.1	
UKFS 313+HA2313 313+HE2313 313+H2313 313+HS2313	2 3/16 2 3/16 2 3/16 2 3/8	8 <sup>3/16</sup> 208	6 <sup>17/32</sup> 166	19/32 15	7/8 22	1 <sup>37/64</sup> 40	29/32 23	45/64 18	6 <sup>57/64</sup> 175	2 <sup>3/32</sup> 53	1.5156 38.5	M20 3/4	UK 313	HA2313 HE2313 H2313 HS2313	FS 313	8.7	
UKFS 315+HA2315 315+HE2315 315+H2315	2 7/16 2 1/2 2 1/2	9 <sup>9/32</sup> 236	7 <sup>1/4</sup> 184	53/64 21	63/64 25	45/64 18	63/64 25	1 <sup>57/64</sup> 48	7 <sup>7/8</sup> 200	2 <sup>31/64</sup> 63	1.6718 42.5	M22 7/8	UK 315	HA2315 HE2315 H2315	FS 315	13.0	
UKFS 316+HA2316 316+HE2316 316+H2316	2 11/16 2 3/4 2 3/4	9 <sup>27/32</sup> 250	7 <sup>23/32</sup> 196	45/64 18	1 <sup>1/16</sup> 27	1 <sup>57/64</sup> 48	1 <sup>7/32</sup> 31	25/32 20	8 <sup>17/64</sup> 210	2 <sup>1/2</sup> 63.5	1.7500 44.5	M27 1	UK 316	HA2316 HE2316 H2316	FS 316	15	
UKFS 317+HA2317 317+H2317 317+HE2317	2 15/16 3 3	10 <sup>1/4</sup> 260	8 <sup>1/2</sup> 204	15/16 24	1 <sup>1/16</sup> 27	2 <sup>1/8</sup> 54	1 <sup>7/32</sup> 31	25/32 20	8 <sup>21/32</sup> 220	2 <sup>53/64</sup> 72	1.8906 48	M27 1	UK 317	HA2317 H2317 HE2317	FS 317	17	
UKFS 318+H2318	80	11 <sup>1/32</sup> 280	8 <sup>1/2</sup> 216	15/16 24	3 <sup>1/16</sup> 30	2 <sup>7/32</sup> 56	1 <sup>3/8</sup> 35	25/32 20	9 <sup>29/64</sup> 240	2 <sup>57/64</sup> 73.5	1.8906 48	M30 1 1/8	UK 318	H2318	FS 318	21	
UKFS 319+HE2319 319+H2319	3 1/4 85	11 <sup>13/32</sup> 290	8 <sup>31/32</sup> 228	1 <sup>17/32</sup> 30	3 <sup>1/16</sup> 30	2 <sup>29/32</sup> 74	1 <sup>3/8</sup> 35	25/32 20	9 <sup>27/32</sup> 250	3 <sup>37/64</sup> 91	2.0468 52	M30 1 1/8	UK 319	HE2319 H2319	FS 319	25	
UKFS 320+HE2320 320+H2320	3 1/2 90	12 <sup>7/32</sup> 310	9 <sup>17/32</sup> 242	1 <sup>17/32</sup> 32	1 <sup>17/64</sup> 32	2 <sup>29/32</sup> 74	1 <sup>1/2</sup> 38	25/32 20	10 <sup>15/64</sup> 260	3 <sup>47/64</sup> 95	2.2187 56	M33 1 1/4	UK 320	HE2320 H2320	FS 320	30	
UKFS 322+H2322	100	13 <sup>3/8</sup> 340	10 <sup>15/32</sup> 266	1 <sup>3/8</sup> 35	1 <sup>3/8</sup> 35	2 <sup>51/64</sup> 71	1 <sup>39/64</sup> 41	63/64 25	11 <sup>1/5</sup> 300	3 <sup>25/32</sup> 96	2.4062 61	M36 1 3/8	UK 322	H2322	FS 322	38.6	
UKFS 324+H2324	110	14 <sup>9/16</sup> 370	11 <sup>27/64</sup> 290	1 <sup>3/8</sup> 35	1 <sup>9/16</sup> 40	3 <sup>5/16</sup> 80	1 <sup>39/64</sup> 41	1 <sup>3/16</sup> 30	12 <sup>63/64</sup> 330	3 <sup>15/16</sup> 100	2.5625 65	M36 1 3/8	UK 324	H2324	FS 324	50.9	
UKFS 326+H2326	115	16 <sup>5/32</sup> 410	12 <sup>19/32</sup> 320	1 <sup>3/8</sup> 35	1 <sup>25/32</sup> 45	3 <sup>11/32</sup> 85	1 <sup>39/64</sup> 41	1 <sup>3/16</sup> 30	14 <sup>5/32</sup> 360	4 <sup>3/32</sup> 104	2.7187 69	M36 1 3/8	UK 326	H2326	FS 326	67.5	
UKFS 328+H2328	125	17 <sup>23/32</sup> 450	13 <sup>25/32</sup> 350	1 <sup>3/4</sup> 45	2 <sup>5/32</sup> 55	3 <sup>47/64</sup> 95	1 <sup>39/64</sup> 41	1 <sup>3/16</sup> 30	15 <sup>37/50</sup> 400	4 <sup>41/64</sup> 118	2.8750 73	M36 1 3/8	UK 328	H2328	FS 328	94.0	

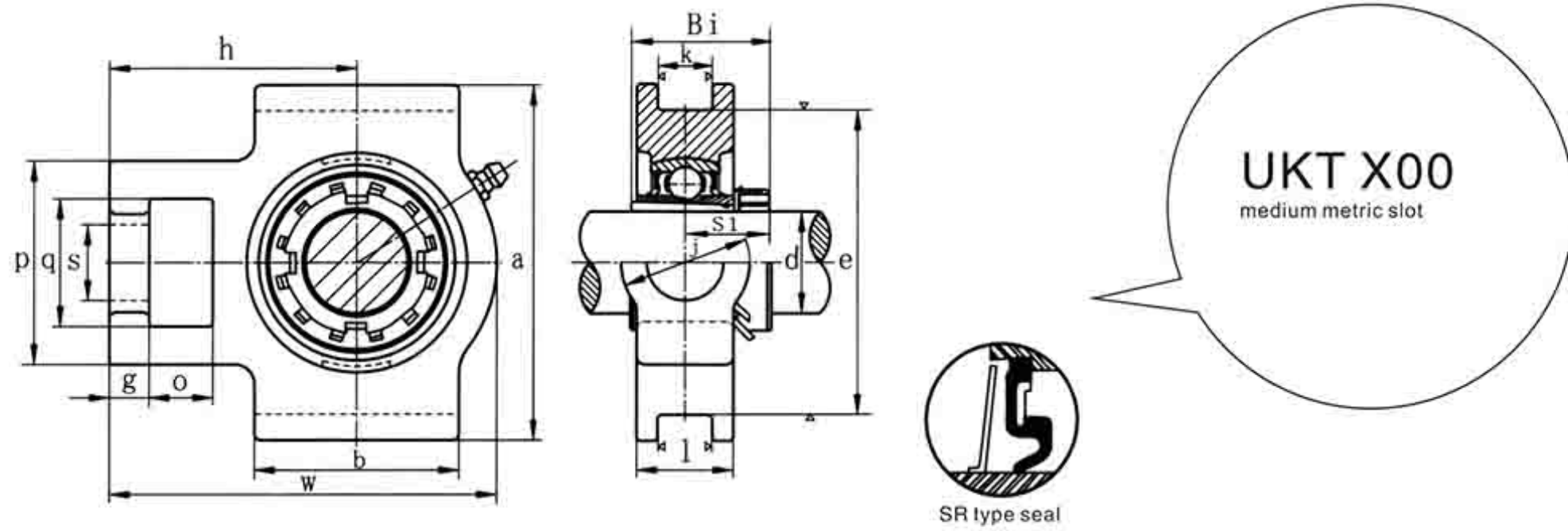




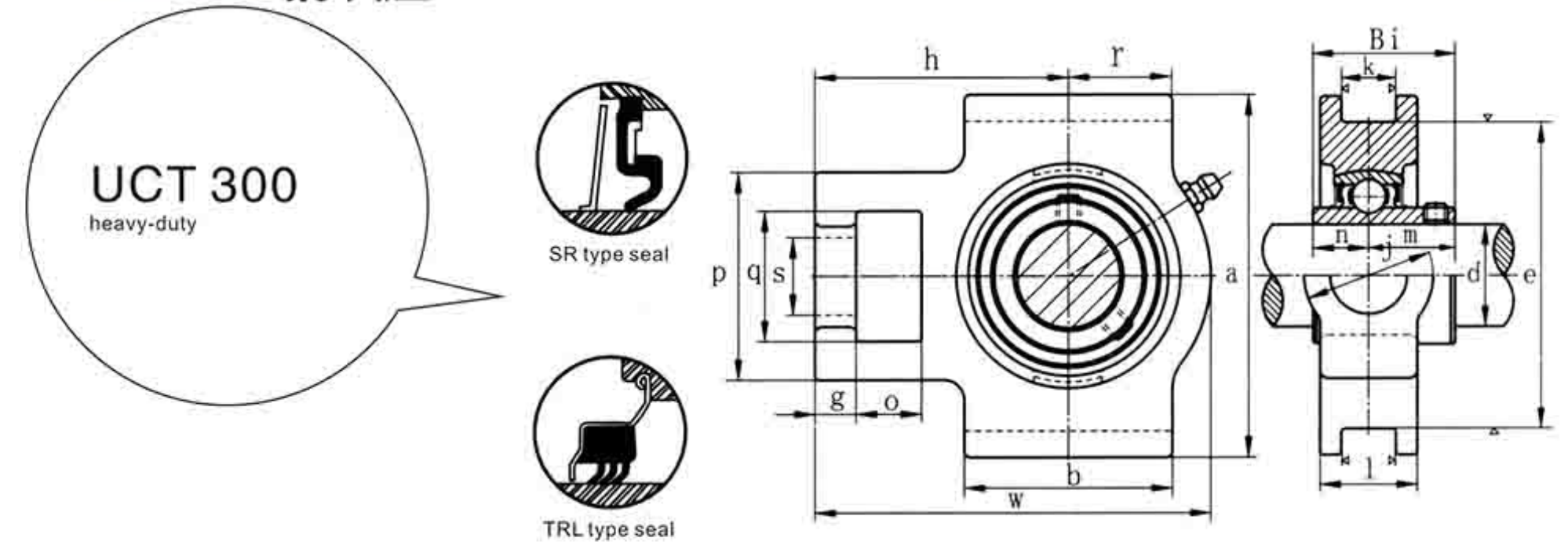
带座轴承代号 Bearing unit	轴径 Shaft Dia.	外形尺寸 (毫米) Dimensions(mm)														轴承代号 Bearing	紧定套 Adapter Sleeve	座代号 Bearing	重量 weight		
No.	d	o	g	p	q	s	b	k	e	a	w	j	l	h	Bi	Si	No.	No.	No.	(kg)	
	(in.)	(mm)																			
UKT 205+HE2305 205+H2305	3/4	20	16	10	51	32	19	51	12	76	89	97	32	24	62	35	19.5	UK 205	HE2305 H2305	T 205	0.87
UKT 206+HS2306 206+HA2306 206+H2306	7/8	25	16	10	56	37	22	57	12	89	102	113	37	28	70	38	21	UK 206	HS2306 HA2306 H2306	T 206	1.3
UKT 207+HS2307 207+H2307 207+HA2307	1 1/8	30	16	13	64	37	22	64	12	89	102	129	37	30	78	43	22.5	UK 207	HS2307 H2307 HA2307	T 207	1.7
UKT 208+HE2308 208+HS2308 208+H2308	1 1/4	35	19	16	83	49	29	83	16	102	114	144	49	33	88	46	24.5	UK 208	HE2308 HS2308 H2308	T 208	2.5
UKT 209+HA2309 209+HE2309 209+H2309	1 7/16	40	19	16	83	49	29	83	16	102	117	144	49	35	87	50	26	UK 209	HA2309 HE2309 H2309	T 209	2.5
UKT 210+HS2310 210+HA2310 210+HE2310 210+H2310	1 5/8	45	19	16	83	49	29	86	16	102	117	149	49	37	90	55	27.5	UK 210	HS2310 HA2310 HE2310 H2310	T 210	2.7
UKT 211+HS2311 211+HA2311 211+H2311 211+HE2311	1 7/8	50	25	19	102	64	35	95	22	130	146	171	64	38	106	59	28.5	UK 211	HS2311 HA2311 H2311 HE2311	T 211	4.0
UKT 212+HA2312 212+H2312	2 1/8	55	32	19	102	64	35	102	22	130	146	194	64	42	119	62	31	UK 212	HA2312 H2312	T 212	4.8
UKT 213+HA2313 213+HE2313 213+H2313 213+HS2313	2 3/16	60	32	21	111	70	41	121	26	151	167	224	70	44	137	65	33	UK 213	HA2313 HE2313 H2313 HS2313	T 213	6.9
UKT 215+HA2315 215+HE2315 215+H2315	2 7/16	65	32	21	111	70	41	121	26	151	167	232	70	48	140	73	35.5	UK 215	HA2315 HE2315 H2315	T 215	7.6
UKT 216+HA2316 216+HE2316 216+H2316	2 11/16	70	32	21	111	70	41	121	26	165	184	235	70	51	140	78	39	UK 216	HA2316 HE2316 H2316	T 216	8.4
UKT 217+HA2317 217+H2317 217+HE2317	2 15/16	75	38	29	124	73	48	157	30	173	198	260	73	54	162	82	41	UK 217	HA2317 H2317 HE2317	T 217	11.2
UKT 218+H2318	3	80	40	30	130	80	48	140	30	190	215	275	80	55	170	86	42	UK 218	H2318	T 218	



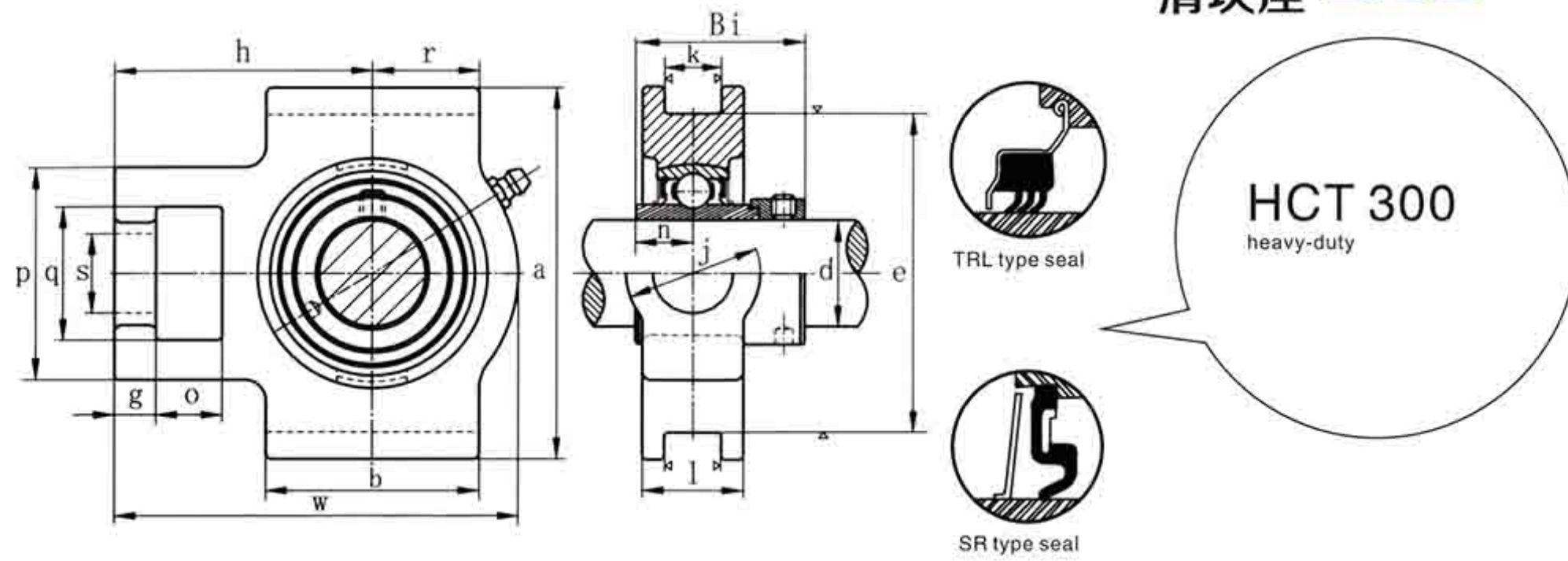
带座轴承代号 Bearing unit	轴径 Shaft Dia.	外形尺寸 (毫米) Dimensions(mm)														轴承代号 Bearing	座代号 Bearing	重量 weight		
No.	d	o	g	p	q	s	b	k	e	a	w	j	l	h	Bi	n	No.	No.	(kg)	
	(in.)	(mm)																		
UCT X05-14 X05-15 X05	7/8	25	16	10	56	37	22	57	12	89	102	113	37	28	70	38.1	15.9	UC X05-14 X05-15 X05	T X05	1.4
UCT X05-16	1																	UC X05-16		
UCT X06-18 X06 X06-19 X06-20	1 1/8	30	16	13	64	37	22	64	12	89	102	129	37	30	78	42.9	17.5	UC X06-18 X06 X06-19 X06-20	T X06	1.8
UCT X07-20 X07-21 X07-22 X07	1 1/4	35	19	15	83	49	29	83	16	102	114	144	49	36	88	49.2	19	UC X07-20 X07-21 X07-22 X07	T X07	2.7
UCT X07-23	1 7/16																	UC X07-23		
UCT X08-24 X08-25 X08	1 1/2	40	19	15	83	49	29	83	16	102	117	144	49	36	87	49.2	19	UC X08-24 X08-25 X08	T X08	2.7
UCT X09-26 X09-27 X09-28 X09	1 5/8	45	19	16	83	49	29	86	16	102	117	149	49	38	90	51.6	19	UC X09-26 X09-27 X09-28 X09	T X09	2.9
UCT X10-30 X10-31 X10	1 7/8	50	25	19	102	64	35	95	22	130	146	171	64	42	106	55.6	22.2	UC X10-30 X10-31 X10	T X10	4.5
UCT X10-32	2																	UC X10-32		
UCT X11-32 X11-34 X11 X11-35	2 1/8	55	32	19	102	64	35	102	22	130	146	194	64	44	119	65.1	25.4	UC X11-32 X11-34 X11 X11-35	T X11	5.3
UCT X12-36 X12 X12-38 X12-39	2 1/4	60	32	21	111	70	41	121	26	151	167	224	70	48	137	65.1	25.4	UC X12-36 X12 X12-38 X12-39	T X12	7.4
UCT X13-40 X13	2 1/2	65	32	21	111	70	41	121	26	151	167	224	70	48	137	74.6	30.2	UC X13-40 X13	T X13	7.6
UCT X14-44 X14	2 3/4	70	32	21	111	70	41	121	26	151	167	232	70	48	140	77.8	33.3	UC X14-44 X14	T X14	7.9
UCT X15 X15-47 X15-48	2 15/16	75	32	21	111	70	41	121	28	165	184	235	70	48	140	82.6	33.3	UC X15 X15-47 X15-48	T X15	8.6
UCT X16 X16-50	3 1/8	80	38	28	124	73	48	157	28	173	198	260	73	54	162	85.7	34.1	UC X16 X16-50	T X16	11.8
UCT X17-52 X17	3 1/4	85	38	28	124	73	48	157	28	173	198	260	73	54	162	96.0	39.7	UC X17-52 X17	T X17	11.7



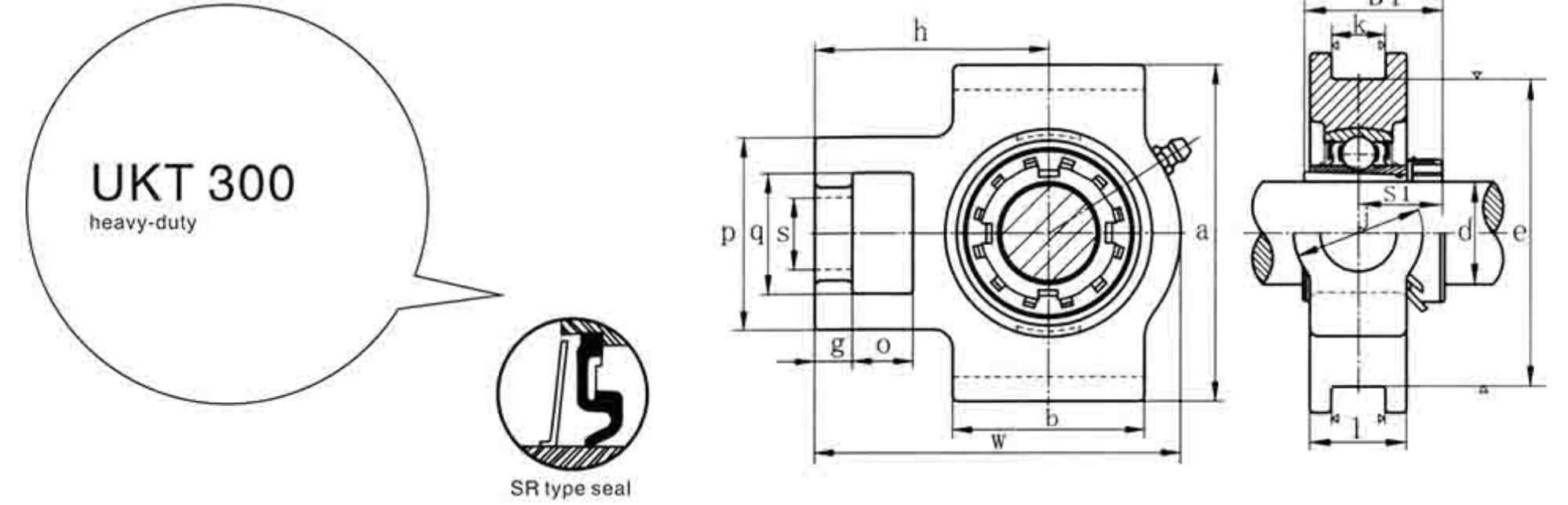
带座轴承代号 Bearing unit	轴径 Shaft Dia.	外形尺寸 (毫米) Dimensions(mm)														轴承代号 Bearing	紧定套 Adapter Sleeve	座代号 Bearing	重量 weight		
No.	d	o	g	p	q	s	b	k	e	a	w	j	l	h	Bi	S1	No.	No.	No.	(kg)	
	(in.)	(mm)																			
UKT X05+HE2305 X05+H2305	3/4	20	16	10	56	37	22	57	12	89	102	113	37	28	70	35	21	UKX 05	HE2305 H2305	TX 205	1.3
UKT X06+HS2306 X06+HA2306 X06+H2306 X06+HE2306	7/8	25	16	13	64	37	22	64	12	89	102	129	37	30	78	38	21.5	UKX 06	HS2306 HA2306 H2306 HE2306	TX 06	1.6
UKT X07+HS2307 X07+H2307 X07+HA2307	1 1/8	30	19	15	83	49	29	83	16	102	114	144	49	36	88	43	23.5	UKX 07	HS2307 H2307 HA2307	TX 07	2.6
UKT X08+HE2308 X08+HS2308 X08+H2308	1 1/4	35	19	15	83	49	29	83	16	102	117	144	49	36	87	46	25	UKX 08	HE2308 HS2308 H2308	TX 08	2.6
UKT X09+HA2309 X09+HE2309 X09+H2309	1 7/16	40	19	16	83	49	29	83	16	102	117	149	49	38	90	50	26.5	UKX 09	HA2309 HE2309 H2309	TX 09	2.9
UKT X10+HS2310 X10+HA2310 X10+H2310 X10+HE2310	1 5/8	45	25	19	102	64	35	95	22	130	146	171	64	42	106	55	28.5	UKX 10	HS2310 HA2310 HE2310 H2310	TX 10	4.4
UKT X11+HS2311 X11+HA2311 X11+H2311 X11+HE2311	1 7/8	50	32	19	102	64	35	102	22	130	146	194	64	44	119	59	30	UKX 11	HS2311 HA2311 H2311 HE2311	TX 11	5.3
UKT X12+HS2312 X12+H2312	2 1/8	55	32	21	111	70	41	121	26	151	167	224	70	48	137	62	32	UKX 12	HS2312 H2312	TX 12	7.3
UKT X13+HA2313 X13+HE2313 X13+H2313 X13+HS2313	2 3/16	60	32	21	111	70	41	121	26	151	167	224	70	48	137	62	34	UKX 13	HA2313 HE2313 H2313 HS2313	TX 13	7.3
UKT X15+HA2315 X15+HE2315 X15+H2315	2 7/16	65	32	21	111	70	41	121	28	165	184	235	70	48	140	73	37	UKX 15	HA2315 HE2315 H2315	TX 15	8.4
UKT X16+HA2316 X16+HE2316 X16+H2316	2 11/16	70	38	28	124	73	48	157	28	173	198	260	73	54	162	78	40	UKX 16	HA2316 HE2316 H2316	TX 16	11.3
UKT X17+HA2317 X17+H2317 X17+HE2317	2 15/16	75	38	28	124	73	48	157	28	173	198	260	73	54	162	82	42.5	UKX 17	HA2317 H2317 HE2317	TX 17	11.3



带座轴承代号 Bearing unit	轴径 Shaft Dia.	外形尺寸 (英寸) 或 (毫米) Dimensions(in)or(mm)														轴承代号 Bearing	座代号 Bearing	重量 weight				
No.	d	o	g	p	q	s	b	k	e	a	w	j	l	r	h	Bi	n	m	No.	No.	(kg)	
	(in.)	(mm)																				
UCT 305	25	5/8	15/32	2 7/16	1 13/32	1 1/32	2 9/16	15/32	3 5/32	3 1/2	4 13/16	1 13/32	1 1/2	1 13/16	3	1.4961	0.5906	0.9055	UC 305	T 305	1.4	
305-16	1	16	12	62	36	26	65	12	80	89	122	36	26	46	76	38	15.0	23	305-16	305-16	1.4	
UCT 306-18	1 1/8	30	23/32	9/16	2 3/4	1 5/8	1 7/64	2 29/32	3/8	3 35/64	3 15/16	5 13/32	1 5/8	1 3/32	2 1/16	3 11/32	1.6929	0.6693	1.0236	UC 306-18	T 306	1.8
306	1 3/16	18	14	70	41	28	74	16	94	100	137	41	28	52	85	43	17	26	306	306-19	1.8	
306-19	1 1/4	19	14	70	41	28	74	16	94	100	137	41	28	52	85	43	17	26	306-19	306-20	1.8	
UCT 307-20	1 1/4	35	25/32	19/32	2 15/16	1 25/32	1 3/16	3 5/32	3/8	3 15/16	4 3/8	5 29/32	1 1/4	2 7/32	3 11/16	1.8897	0.7480	1.1417	UC 307-20	T 307	2.3	
307	1 3/8	20	15	75	45	30	80	16	100	111	150	45	32	56	94	48	19	29	307	307-22	2.3	
307-22	1 1/2	22	17	83	50	32	89	18	112	124	162	50	34	62	100	52	19	33	307-22	307-23	2.3	
307	1 7/16	35	20	15	75	45	30	80	16	100	111	150	45	32	56	94	48	19	29	307	307-23	2.3
UCT 308-24	1 1/2	40	7/8	21/32	3 9/32	1 31/32	1 17/64	3 1/2	45/64	4 13/32	4 7/8	6 3/8	1 31/32	1 11/32	2 7/16	3 15/16	2.0472	0.7480	1.2992	UC 308-24	T 308	3.0
308	1 1/2	22	17	83	50	32	89	18	112	124	162	50	34	62	100	52	19	33	308	308-24	3.0	
UCT 309-28	1 3/4	45	15/16	23/32	3 17/32	2 5/32	1 11/32	3 13/16	45/64	4 59/64	5 7/16	7	2 5/32	1 1/2	2 11/16	4 11/32	2.2441	0.8661	1.3780	UC 309-28	T 309	4.1
309	1 3/4	24	18	90	55	34	97	18	125	138	178	55	38	68	110	57	22	35	309	309-28	4.1	
UCT 310-30	1 7/8	50	1 1/16	25/32	3 27/32	2 13/32	1 29/64	4 3/16	25/32	5 33/64	5 15/16	7 17/32	2 13/32	1 9/16	2 29/32	4 19/32	2.4015	0.8661	1.5354	UC 310-30	T 310	4.9
310-31	1 15/16	27	20	98	61	37	106	20	140	151	191	61	40	74	117	61	22	39	310-31	310	4.9	
310	2	50	27	20	98	61	37	106	20	140	151	191	61	40	74	117	61	22	39	310	310-32	4.9
310-32	2	50	27	20	98	61	37	106	20	140	151	191	61	40	74	117	61	22	39	310-32	310-32	4.9
UCT 311-32	2	55	1 5/32	13/16	4 1/8	2 19/32	1 17/32	4 17/32	55/64	5 29/64	6 13/32	8 5/32	2 19/32	1 23/32	3 5/32	5	2.5984	0.9842	1.6142	UC 311-32	T 311	6.1
311	2	29	21	105	66	39	115	22	150	163	207	66	44	80	127	66	25	41	311	311-32	6.1	
UCT 312	60	1 7/32	29/32	4 7/16	2 25/32	1 39/64	4 27/32	55/64	6 19/64	7	8 21/32	2 25/32	1 13/16	3 11/16	5 3/16	2.7953	1.0236	1.7717	UC 312	T 312	7.6	
312-36	2 1/4	31	23	113	71	41	123	25	160	178	220	71	46	85	135	71	26.0	45	312-36	312-36	7.6	
UCT 313-40	2 1/2	65	1 1/4	1 5 9/16	3/4	1 11/16	5 9/32	1 1/32	6 11/16	7 15/32	9 3/8	3 5/32	3 5/32	5 3/4	2.9528	1.1881	1.7717	UC 313-40	T 313	9.3		
313	2 1/2	32	25	116	70	43	134	26	170	190	238	80	50	92	146	75	30	45	313	313-40	9.3	
UCT 314-44	2 3/4	70	1 13/32	1 5 1/8	3 11/32	1 13/16	5 1/2	1 1/32	7 13/16	9 29/32	3 17/32	2 1/16	3 11/16	6 3/32	3.0709	1.2992	1.7717	UC 314-44	T 314	11.1		
314	2 3/4	36	25	130	85	46	140	26	180	202	252	90	57	97	155	78	33	45	314	314-44	11.1	
UCT 315	75	1 13/32	1 5 3/16	3 11/32	1 13/16	5 29/32	1 1/32	7 9/16	8 1/2	10 5/16	3 17/32	2 5/32	4 1/32	6 5/16	3.2283	1.2598	1.9685	UC 315	T 315	13		
315-48	3	36	25	132	85	46	150	26	192	216	262	90	55	102	160	82	32	50	315-48	315-48	13	
UCT 316	80	1 21/32	1 3/32	5 29/32	3 27/32	2 3/32	6 5/16	1 3/16	8 1/4	9 1/16	11 3/32	4 1/32	2 3/8	4 1/4	3.3858	1.3386	2.0472	UC 316	T 316	16.2		
316-50	3 1/8	42	28	150	98	53	160	30	204	230	282	102	60	108	174	86	34	52	316-50	316-50	16.2	
UCT 317	85	1 21/32	1 3/16	5 31/32	3 27/32	2 3/32	6 11/16	1 17/64	8 27/64	9 7/16	11 23/32	4 1/32	2 17/32	4 17/32	3.7795	1.5748	2.2047	UC 317	T 317	19		
317-52	3 1/4	42	30	152	98	53	170	32	214	240	298	102	64	115	183	96	40	56	317-52	317-52	19	
UCT 318-56	3 1/2	90	1 13/16	1 3/16	6 5/16	4 3/16	2 1/4	6 7/8	1 17/64	8 31/32	10 1/32	12 9/32	4 11/32	2 19/32	4 3/32	3.7795	1.5748	2.2047	UC 318-56	T 318	21.6	
318	3 1/2	46	30	160	106	57	175	32	228	255	312	110	66	120	192	96	40	56	318	318	21.6	
UCT 319	95	1 13/16	1 7/32	6 1/2	4 3/16	2 1/4	7 3/32	1 3/8	9 29/64	10 5/8	12 11/16	4 11/32	2 27/32	4 29/32	7 3/4	4.0551	1.6142	2.4409	UC 319	T 319	24.9	
319	3 1/4	46	31	165	106	57	180	35	240	270	322	110	72	125	197	103	41	62	319	319	24.9	
UCT 320	100	1 7/8	1 1/4	6 7/8	4 17/32	2 21/64	7 7/8	1 3/8	10 5/64	11 13/32	13 19/32	4 23/32	2 15/16	5 5								



HCT 300 heavy-duty



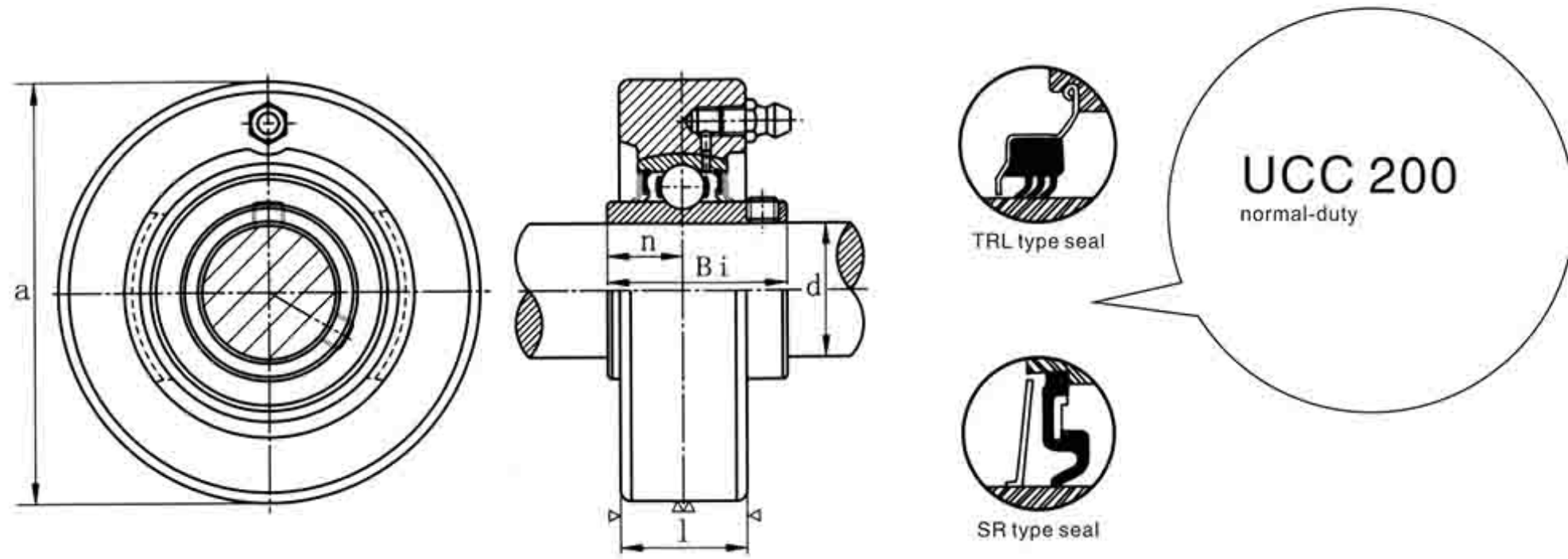
UKT 300 heavy-duty



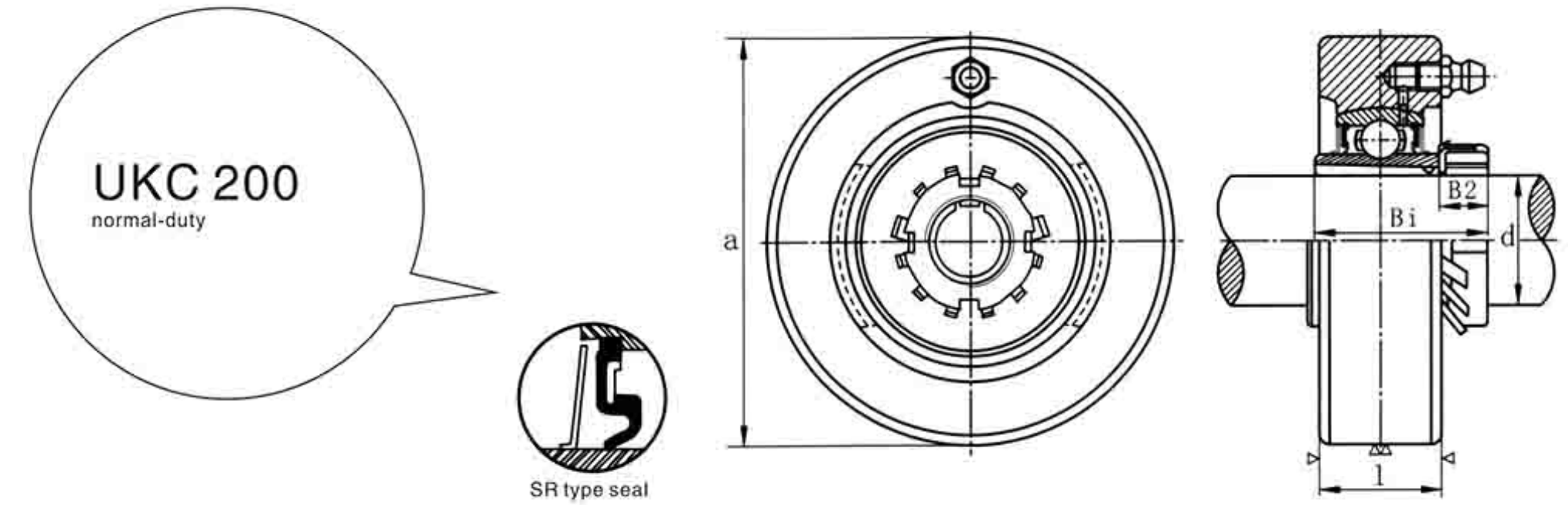
带座轴承代号 Bearing unit	轴径 Shaft Dia.	外形尺寸 (英寸) 或 (毫米) Dimensions(in)or(mm)															轴承代号 Bearing	座代号 Bearing	重量 Weight				
No.	d	o	g	p	q	s	b	k	e	a	w	j	l	r	h	Bi	n	No.	No.	No.			
(in.) (mm)																					(kg)		
HCT 305	25	5/16	15/32	2 7/16	1 13/32	1 1/32	2 9/16	15/32	3 5/32	3 1/2	4 13/16	1 13/32	1 1/32	1 13/16	3	1.8425	0.6575	HC 305	T 305	1.41			
305-16	1	16	12	62	36	26	65	12	80	89	122	36	26	46	76	46.8	16.7	305-16					
HCT 306-18	1 1/8																	HC 306-18					
306	30	23/32	9/16	2 3/4	1 5/8	1 7/64	2 29/32	5/8	3 35/64	3 15/16	5 13/32	1 5/8	1 3/32	2 1/16	3 11/32	1.9685	0.6890	306	T 306	1.9			
306-19	1 3/16	18	14	70	41	28	74	16	90	100	137	41	28	52	85	50	17.5	306-19					
306-20	1 1/4																	306-20					
307-20	1 1/4																	307-20					
HCT 307-22	1 3/8	25/32	19/32	2 15/16	1 25/32	1 3/16	3 5/32	5/8	3 15/16	4 3/8	5 29/32	1 25/32	1 1/4	2 7/32	3 11/16	2.0315	0.7205	HC 307-22					
307	35	20	15	75	45	30	80	16	100	111	150	45	32	56	94	51.6	18.3	307	T 307	2.33			
307-23	1 7/16																	HC 307-23					
HCT 308-24	1 1/2	7/8	21/32	3 3/32	1 31/32	1 17/64	3 1/2	45/64	4 13/32	4 7/8	6 3/8	1 31/32	1 11/32	2 7/16	3 15/16	2.2480	0.7795	308-24					
308	40	22	17	83	50	32	89	18	112	124	162	50	34	62	100	57.1	19.8	HC 308	T 308	3.12			
HCT 309-28	1 3/4	15/16	23/32	3 17/32	2 5/32	1 11/32	3 13/16	45/64	4 59/64	5 7/16	7	2 5/32	1 1/2	2 11/16	4 11/32	2.3110	0.7795	309-28					
309	45	24	18	90	55	34	97	18	125	138	178	55	38	68	110	58.7	19.8	HC 309	T 309	4.22			
HCT 310-30	1 7/8																	310-30					
310-31	1 15/16	1 1/16	25/32	3 27/32	2 13/32	1 29/64	4 3/16	25/32	5 33/64	5 15/16	7 17/32	2 13/32	1 9/16	2 29/32	4 19/32	2.6220	0.9685	310-31					
310	50	27	20	98	61	37	106	20	140	151	191	61	40	74	117	66.6	24.6	310	T 310	5.07			
310-32	2																	310-32					
HCT 311-32	2	1 5/32	13/16	4 1/8	2 19/32	1 17/32	4 17/32	55/64	5 29/32	6 13/32	8 5/32	2 19/32	2 23/32	3 5/32	5	2.8740	1.0945	HC 311-32					
311	55	29	21	105	66	39	115	22	150	163	207	66	44	80	127	73	27.8	311	T 311	6.5			
HCT 312	60	1 7/32	29/32	4 7/16	2 25/32	1 39/64	4 27/32	55/64	6 19/64	7	8 21/32	2 25/32	1 19/16	3 11/32	5 5/16	3.1260	1.2185	HC 312					
312-36	2 1/4	31	23	113	71	41	123	22	160	178	220	71	46	85	135	79.4	31.0	312-36					
HCT 313-40	2 1/2	1 1/4	1	4 9/16	3/4	1 11/16	5 9/32	1 1/32	6 11/16	7 15/32	9 3/8	3 5/32	1 31/32	3 5/8	5 3/4	3.3740	1.2795	HC 313-40					
313	65	32	25	116	70	43	134	26	170	190	238	80	50	92	146	85.7	32.5	313	T 313	9.8			
HCT 314-44	2 3/4	1 13/32	1	5 1/8	3 11/32	1 13/16	5 1/2	1 1/32	7 3/32	7 15/16	9 29/32	3 17/32	2 1/16	3 13/16	6 3/32	3.6260	1.3445	HC 314-44					
314	70	36	25	130	85	46	140	26	180	202	252	90	52	97	155	92.1	34.15	314	T 314	11.7			
HCT 315	75	1 13/32	1	5 3/16	3 11/32	1 13/16	5 29/32	1 1/32	7 9/16	8 1/2	10 5/16	3 17/32	2 5/32	4 1/32	6 5/16	3.9370	1.4685	HC 315					
315-48	3	36	25	132	85	46	150	26	192	216	262	90	55	102	160	100	37.3	315-48					
HCT 316	80	1 21/32	1 3/32	5 29/32	3 27/32	2 3/32	6 5/16	1 3/16	8 1/32	9 1/16	11 3/32	4 1/32	2 3/8	4 1/4	6 27/32	4.1890	1.5945	HC 316					
316-50	3 1/8	42	28	150	98	53	160	30	204	230	282	102	60	108	174	106.4	40.5	316-50					
HCT 317	85	1 21/32	1 3/16	5 31/32	3 27/32	2 3/32	6 11/16	1 17/64	8 27/64	9 7/16	11 29/32	4 1/32	2 17/32	4 17/32	7 7/32	4.3110	1.6535	HC 317					
317-52	3 1/4	42	30	152	98	53	170	32	214	240	298	102	64	115	183	109.5	42	317-52					
HCT 318-56	3 1/2	1 13/16	1 13/16	6 5/16	4 3/16	2 1/4	6 7/8	1 17/64	8 31/32	10 1/32	12 3/32	4 11/32	2 19/32	4 29/32	7 9/16	4.5630	1.7165	HC 318-56					
318	90	46	30	160	106	57	175	32	228	255	312	110	66	120	192	115.9	43.6	318	T 318	22.67			
HCT 319	95	1 13/16	1 7/32	6 1/2	4 3/16	2 1/4	7 3/32	1 3/8	9 29/64	10 5/8	12 11/16	4 11/32	2 27/32	4 29/32	7 3/4	4.8150	1.8425	HC 319					
319	46	31	165	106	57	180	35	240	270	322	110	72	125	197	122.3	46.8	319	T 319	26.39				
HCT 320	100	1 7/8	1 1/4	6 7/8	4 17/32	2 1/4	7 7/8	1 3/8	10 15/64	11 13/32	13 19/32	4 23/32	2 15/16	5 1/16	8 9/32	5.0630	1.9685	HC 320					
320-64	4	48	32	175	115	59	200	35	260	290	345	120	75	135	210	128.6	50	320-64					

带座轴承代号 Bearing unit	轴径 Shaft Dia.	外形尺寸 (英寸) 或 (毫米) Dimensions(in)or(mm)															轴承代号 Bearing	紧定套 Adapter Sleeve	座代号 Bearing	重量 Weight			
No.	d	o	g	p	q	s	b	k	e	a	w	j	l	h	Bi	S1	No.	No.	No.				
(in.) (mm)																					(kg)		
UKT 305+HE2305	3/4	5/8	15/32	2 7/16	1 13/32	1 1/32	2 9/16	15/32	3 5/32	3 1/2	4 13/16	1 13/32	1 1/32	1 13/16	3	1.3778	0.7677	UK 305	HE2305	T 305	1.5		
305+H2305	20	16	12	62	36	26	65	12	80	89	122	36	26	46	76	35	19.5	305	H2305				
UKT 306+HS2306	7/8	23/32	9/16	2 3/4	1 5/8	1 7/64	2 29/32	5/8	3 35/64	3 15/16	5 13/32	1 5/8	1 3/32	2 11/32	1.4960	0.8268	UK 306	HS2306	T 306	1.9			
306+HA2306	25	18	14	70	41	28	74	16	90	100	137	41	28	85	38	21	19.5	306	HA2306				
306+H2306																		H2306					
306+HE2306																		HE2306					
UKT 307+HS2307	1 1/8	25/32	19/32	2 15/16	1 25/32	1 3/16	3 5/32	5/8	3 15/16	4 3/8	5 29/32	1 25/32	1 1/4	3 11/16	1.6929	0.8858	UK 307	HS2307	T 307	2.4			
307+H2307	30	20	15	75	45	30	80	16	100	111	150	45	32	94	43	22.5	2.4	H2307					
307+HA2307	1 3/16																	HA2307					
UKT 308+HE2308	1 1/4	7/8	21/32	3 9/32	2 31/32	1 17/64	3 1/2	45/64	4 13/32	4 7/8	6 3/8	1 31/32	1 11/32	3 15/16	1.8110	0.9646	UK 308	HE2308	T 308	3.0			
308+HS2308	35	22	17	83	50	32	89	18	112	124	162	50	34	100	46	24.5	3.0	HS2308					
308+H2308																		H2308					
308+HE2308																		HE2308					
UKT 309+HA2309	1 7/16	15/16	23/32	3 17/32	2 5/32	1 11/32	3 13/16	45/64	4 59/64	5 7/16	7	2 5/32	1 1/2	4 11/32	1.9685	1.0236	UK 309	HA2309	T 309	4.2			
309+HE2309	40	24	18	90	55	34	97	18	125	138	178	55	38	110	50	26	4.2	HE2309					
309+H2309																		H2309					
UKT 310+HS2310	1 5/8	1 1/16	25/32	3 27/32	2 13/32	1 29/64	4 3/16	25/32	5 33/64	5 15/16	7 17/32	2 13/32	1 9/16	4 19/32	2.1654	1.0827	UK 310	HS2310	T 310	5.0			
310+HA2310	45	27	20	98	61	37	106	20	140	151	191	61											

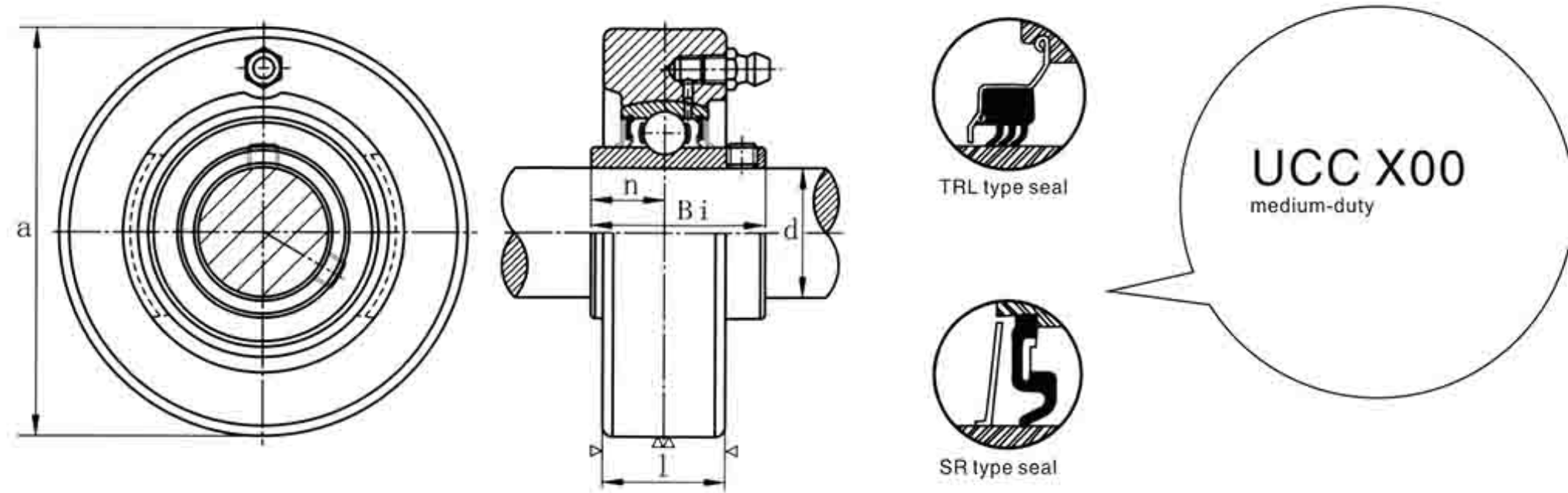




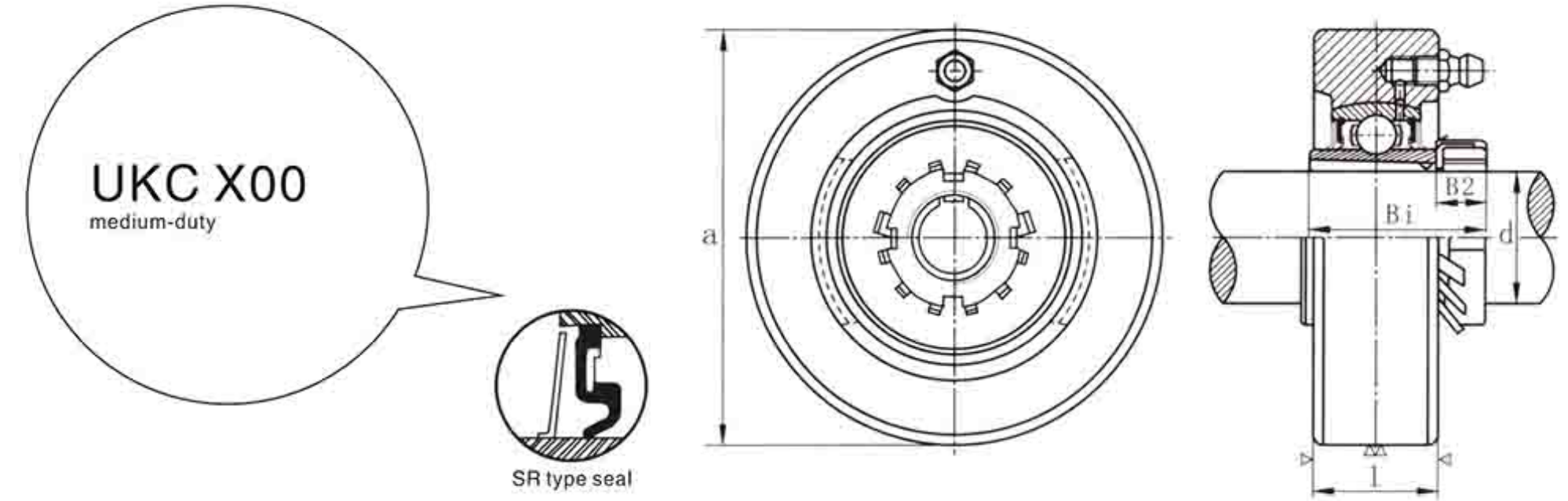
带座轴承代号 Bearing unit	轴径 Shaft Dia.	外形尺寸 (英寸) 或 (毫米) Dimensions (in.) or (mm)					轴承代号 Bearing	座代号 Bearing	重量 weight
No.	d	a	l	Bi	n	No.	No.	(kg)	
	(in.) (mm)								
UCC 201	12	2.8346	25/32	1.2205	0.5000	UCC 201	C 201	0.50	
201-8	1/2	72	20	31.0	12.7	201-8			
UCC 202	15	2.8346	25/32	1.2205	0.5000	UCC 202	C 202	0.50	
202-10	5/8	72	20	31.0	12.7	202-10			
UCC 203	17	2.8346	25/32	1.2205	0.5000	UCC 203	C 203	0.50	
203-11	11/16	72	20	31.0	12.7	203-11			
UCC 204-12	3/4	2.8346	25/32	1.2205	0.5000	UCC 204-12	C 204	0.50	
204	20	72	20	31.0	12.7	204			
UCC 205-14	7/8					UCC 205-14			
205-15	15/16	3.1496	55/64	1.3386	0.5630	205-15	C 205	0.64	
205	25	80	22	34	14.3	205			
UCC 205-16	1					205-16			
UCC 206-18	1 1/8					UCC 206-18			
206	30	3.3465	1 1/16	1.5000	0.6260	206	C 206	0.81	
206-19	1 3/16	85	27	38.1	15.9	206-19			
UCC 206-20	1 1/4					206-20			
UCC 207-20	1 1/4					UCC 207-20			
207-21	1 5/16	3.5433	1 7/64	1.6890	0.6890	207-21	C 207	0.93	
207-22	1 3/8	90	28	42.9	17.5	207-22			
UCC 207-23	1 7/16					207-23			
UCC 208-24	1 1/2					UCC 208-24			
208-25	1 9/16	3.9370	1 3/16	1.9370	0.7480	208-25	C 208	1.2	
208	40	100	30	49.2	19.0	208			
UCC 209-26	1 5/8					UCC 209-26			
209-27	1 11/16	4.3307	1 7/32	1.9370	0.7480	209-27	C 209	1.5	
209-28	1 3/4	110	31	49.2	19.0	209-28			
UCC 209-30	1 7/8					UCC 209-30			
210-31	1 15/16	4.7244	1 9/64	2.0315	0.7480	210-31	C 210	2.00	
210	50	120	33	51.6	19.0	210			
UCC 210-32	2					210-32			
UCC 211-34	2 1/8					UCC 211-34			
211	55	4.9213	3/8	2.1890	0.8740	211	C 211	2.20	
211-35	2 3/16	125	35	55.6	22.2	211-35			
UCC 212-36	2 1/4					UCC 212-36			
212	60	5.1181	1 1/2	2.5630	1.0000	212	C 212	2.60	
212-38	2 3/8	130	38	65.1	25.4	212-38			
UCC 212-39	2 1/2					212-39			
UCC 213-40	2 1/2					UCC 213-40			
213	65	5.5118	1 37/64	2.5630	1.0000	213	C 213	3.00	
		140	40	65.1	25.4				



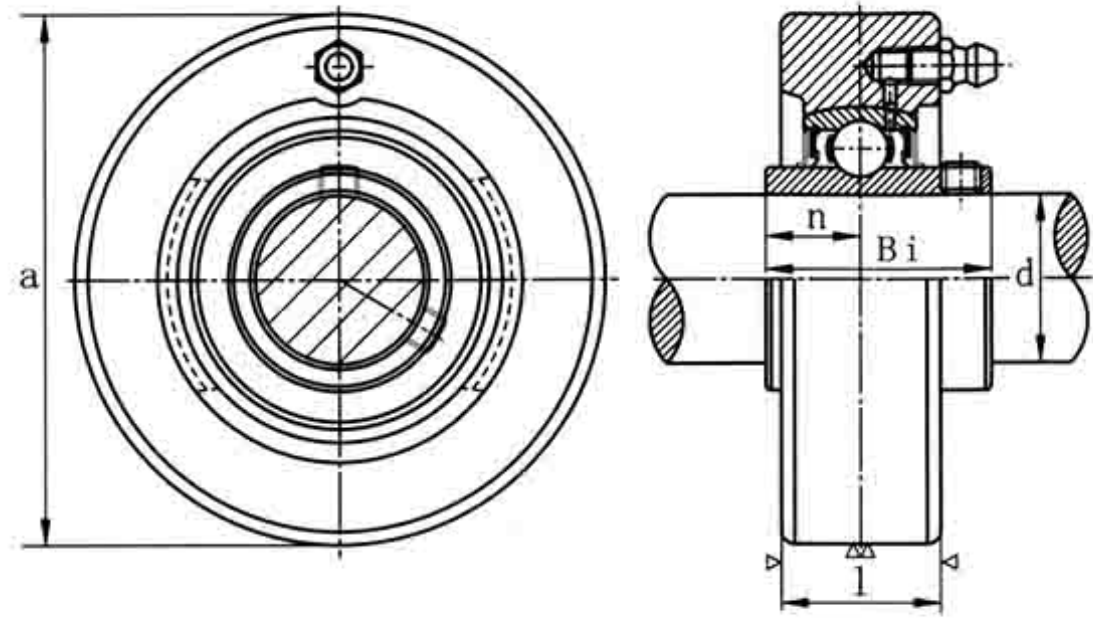
带座轴承代号 Bearing unit	轴径 Shaft Dia.	外形尺寸 (英寸) 或 (毫米) Dimensions (in.) or (mm)					轴承代号 Bearing	紧定套 Adapter Sleeve	座代号 Bearing	重量 weight
No.	d	a	l	Bi	B2	No.	No.	No.	(kg)	
	(in.) (mm)									
UKC 205+HE2305	3/4	3.1496	55/64	1.3779	0.3150	UK 205	HE2305	C 205	0.7	
205+H2305	20	80	22	35	8		H2305			
UKC 206+HS2306	7/8						HS2306			
206+HA2306	15/16	3.3465	1 1/16	1.4961	0.3150	UK 206	HA2306	C 206	0.9	
206+H2306	25	85	27	38	8		H2306			
UKC 207+HS2307	1 1/8						HS2307			
207+H2307	30	3.5433	1 7/64	1.6939	0.3543	UK 207	H2307	C 207	0.99	
207+HA2307	1 3/16	90	28	43	9		HA2307			
UKC 208+HE2308	1 1/4						HE2308			
208+HS2308	1 3/8	3.9370	1 3/16	1.8110	0.3937	UK 208	HS2308	C 208	1.3	
208+H2308	35	100	22	46	10		H2308			
UKC 209+HA2309	1 7/16						HA2309			
209+HE2309	1 1/2	4.3307	1 7/32	1.9685	0.4330	UK 209	HE2309	C 209	1.7	
209+H2309	40	110	31	50	11		H2309			
UKC 210+HS2310	1 5/8						HS2310			
210+HA2310	1 11/16	4.7244	1 19/64	2.1654	0.4724	UK 210	HA2310	C 210	2.1	
210+HE2310	1 3/4	120	33	55	12		HE2310			
UKC 211+HS2311	1 7/8						HS2311			
211+HA2310	1 15/16	4.9213	1 3/8	2.3228	0.4724	UK 211	HA2310	C 211	2.3	
211+H2311	50	125	35	59	12		H2311			
UKC 212+HA2312	2 1/8						HA2312			
212+H2312	55	5.1181	1 1/2	2.4409	0.5118	UK 212	H2312	C 212	2.6	
UKC 213+HA2313	2 3/16						HA2313			
213+HE2313	2 1/4	5.5118	1 37/64	2.5591	0.5512	UK 213	HE2313	C 213	3.1	
213+H2313	60	140	40	65	14		H2313			
UKC 213+HS2313	2 3/8						HS2313			



带座轴承代号 Bearing unit	轴径 Shaft Dia.	外形尺寸 (英寸) 或 (毫米) Dimensions (in.) or (mm)				轴承代号 Bearing	座代号 Bearing	重量 weight
No.	d	a	l	Bi	n	No.	No.	(kg)
UCC X05-14	7/8					UC X05-14		
X05-15	15/16	3.5433	1 1/16	1.5000	0.6260	X05-15	CX 05	1.0
X05	25	90	27	38.1	15.9	X05-16		
X05-16	1					UC X06-18		
UCC X06-18	1 1/8					X06	CX 06	1.3
X06	30	3.9370	1 3/16	1.6890	0.6890	X06-19		
X06-19	1 3/16	100	30	42.9	17.5	X06-20		
X06-20	1 1/4					UC X07-20		
UCC X07-20	1 1/4					X07	CX 07	1.9
X07-21	1 5/16	4.3307	1 11/32	1.9370	0.7480	X07-22		
X07-22	1 3/8	110	34	49.2	19.0	X07-23		
X07	35					UC X08-24		
X07-23	1 7/16					X08-25	CX 08	2.3
UCC X08-24	1 1/2					X08		
X08-25	1 9/16	4.7244	1 1/2	1.9370	0.7480	UC X09-26		
X08	40	120	38	49.2	19.0	X09-27	CX 09	2.3
UCC X09-26	1 5/8					X09-28		
X09-27	1 11/16	4.7244	1 1/2	2.0315	0.7480	X09		
X09-28	1 3/4	120	38	51.6	19.0	UC X10-30		
X09	45					X10-31	CX 10	2.8
UCC X10-30	1 7/8					X10-32		
X10-31	1 15/16	5.1181	1 37/64	2.1890	0.8740	UC X11-32		
X10	50	130	40	55.6	22.2	X11-34	CX 11	4.7
X10-32	2					X11		
UCC X11-32	2					X11-35		
X11-34	2 1/8	5.9055	1 21/32	2.5630	1.0000	UC X12-36		
X11	55	150	42	65.1	25.4	X12	CX 12	5.1
X11-35	2 3/16					X12-38		
UCC X12-36	2 1/4					X12-39		
X12	60	6.2992	1 47/64	2.5630	2.5630			
X12-38	2 3/8	160	44	65.1	65.1			
X12-39	2 7/16							

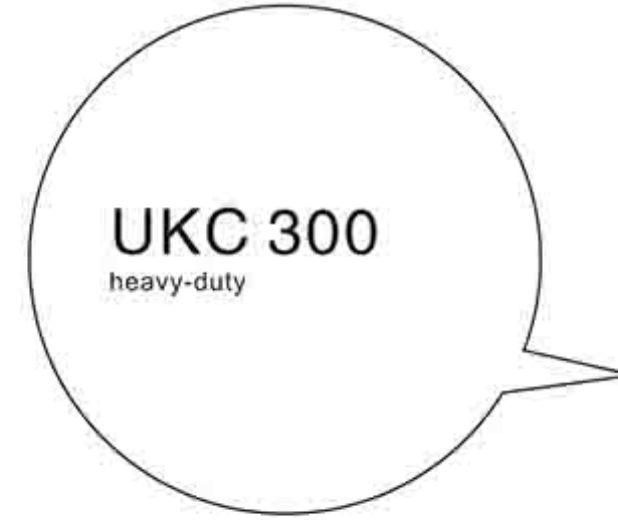


带座轴承代号 Bearing unit	轴径 Shaft Dia.	外形尺寸 (英寸) 或 (毫米) Dimensions (in.) or (mm)				轴承代号 Bearing	紧定套 Adapter Sleeve	座代号 Bearing	重量 weight
No.	d	a	l	Bi	B2	No.	No.	No.	(kg)
UKC X05+HE2305	3/4	3.5433	1 1/16	1.37796	0.3150	UK X05	HE2305	C X05	1.0
X05+H2305	20	90	27	35	8		H2305		
UKC X06+HS2306	7/8						HS2306		
X06+HA2306	15/16	3.9370	1 3/16	1.4961	0.3150	UK X06	HA2306	C X06	1.4
X06+H2306	25	100	30	38	8		H2306		
X06+HE2306	1						HE2306		
UKC X07+HS2307	1 1/8						HS2307		
X07+H2307	30	4.3307	1 11/32	1.6939	0.3543	UK X07	H2307	C X07	1.8
X07+HA2307	1 3/16	110	34	43	9		HA2307		
UKC X08+HE2308	1 1/4						HE2308		
X08+HS2308	1 3/8	4.7244	1 1/2	1.8110	0.3937	UK X08	HS2308	C X08	2.3
X08+H2308	35	120	38	46	10		H2308		
UKC X09+HA2309	1 7/16						HA2309		
X09+HE2309	1 1/2	4.7244	1 1/2	1.9685	0.4330	UK X09	HE2309	C X09	2.3
X09+H2309	40	120	38	50	11		H2309		
UKC X10+HS2310	1 5/8						HS2310		
X10+HA2310	1 11/16	5.1181	1 37/64	2.1654	0.4724	UK X010	HA2310	C X010	2.8
X10+HE2310	1 3/4	130	40	55	12		HE2310		
X10+H2310	45						H2310		
UKC X11+HS2311	1 7/8						HS2311		
X11+HA2311	1 15/16	5.9055	1 21/32	2.3228	0.4724	UK X11	HA2311	C X11	4.6
X11+H2311	50	150	42	59	12		H2311		
X11+HE2311	2						HE2311		
UKC X12+HS2312	2 1/8	6.2992	1 47/64	2.4409	0.5118	UK X12	HS2312	C X12	5.1
X12+H2312	55	160	44	62	13		H2312		

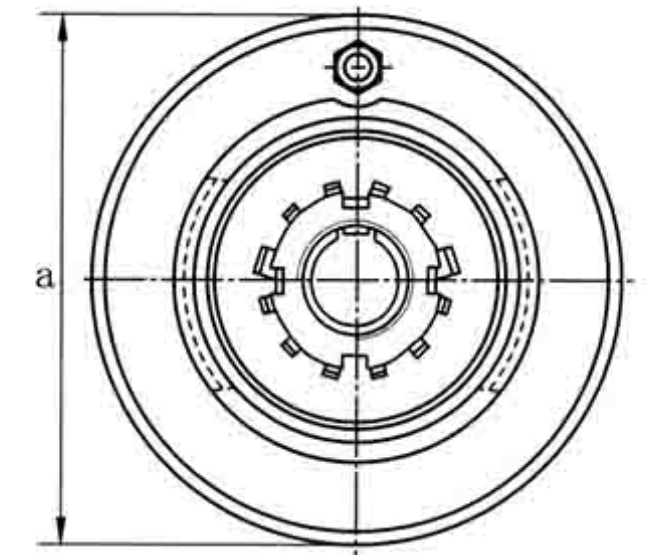
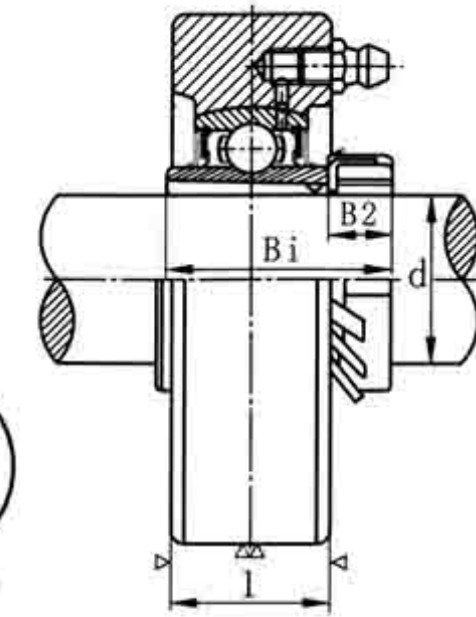


UCC 300  
heavy-duty

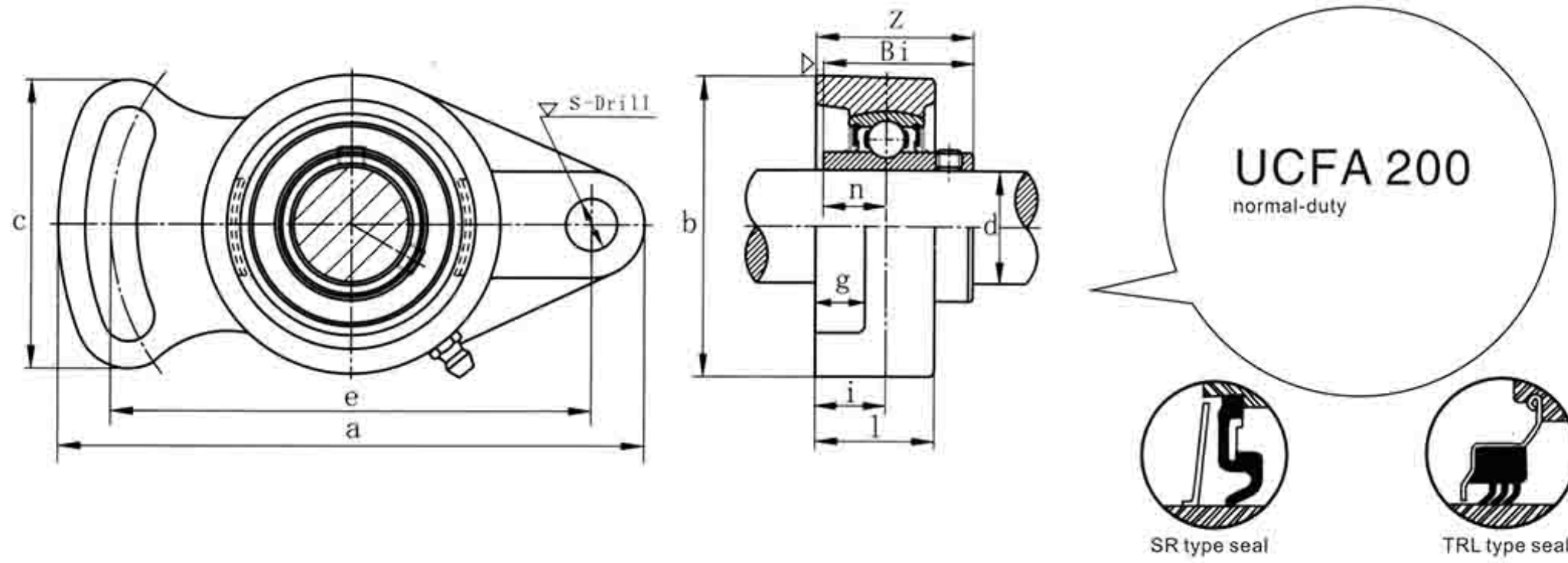
带座轴承代号 Bearing unit	轴径 Shaft Dia.	外形尺寸 (英寸) 或 (毫米) Dimensions(in)or(mm)				轴承代号 Bearing	座代号 Bearing	重量 weight
No.	d	a	l	Bi	n	No.	No.	(kg)
(in.) (mm)								
UCC 305-14	7/8	3.5433	1 1/32	1.4961	0.5906	UC 305-14		
UCC 305-15	15/16	90	26	38	15	UC 305-15	C 305	1.1
UCC 306-18	1 1/8	3.9370	1 7/64	1.6929	0.6693	UC 306-18	C 306	1.3
UCC 306-19	1 3/16	100	28	43	17	UC 306-19		
UCC 307-20	1 1/4	4.3307	1 17/64	1.8897	0.7480	UC 307-20	C 307	1.8
UCC 308-24	1 1/2	4.7244	1 11/32	2	0.7480	UC 308-24	C 308	2.2
UCC 309-26	1 5/8	5.1181	1 1/2	2.2441	0.8661	UC 309-26	C 309	2.7
UCC 310-30	1 3/4	5.5118	1 37/64	2.4015	0.8661	UC 310-30	C 310	3.3
UCC 311-32	2	5.9055	1 47/64	2.5984	0.9842	UC 311-32	C 311	3.9
UCC 312-36	2 1/4	6.2992	1 13/16	2.7953	1.0236	UC 312-36	C 312	4.8
UCC 313-40	2 1/2	6.6929	1 31/32	2.9528	1.1881	UC 313-40	C 313	5.7
UCC 314-44	2 3/4	7.0866	2 3/64	3.0709	1.2992	UC 314-44	C 314	6.6
UCC 315-48	3	7.4803	2 11/64	3.2283	1.2598	UC 315-48	C 315	7.7
UCC 316-50	3 1/8	7.8740	2 23/64	3.3858	1.3386	UC 316-50	C 316	8.9
UCC 317	3 1/4	8.2677	2 33/64	3.5433	1.4174	UC 317	C 317	10.1
UCC 318-56	3 1/2	8.6514	2 19/32	3.7000	1.4961	UC 318-56	C 318	11.3
UCC 319	3 3/4	8.9951	2 53/64	3.8575	1.5748	UC 319	C 319	12.5
UCC 320-64	4	9.3388	2 61/64	4.0150	1.6535	UC 320-64	C 320	13.7
UCC 322	4 1/2	9.6825	2 75/64	4.1725	1.7322	UC 322	C 322	14.9
UCC 324	5	10.0262	2 83/64	4.3300	1.8110	UC 324	C 324	16.1
UCC 326	5 1/2	10.3699	2 91/64	4.4875	1.8897	UC 326	C 326	17.3
UCC 328	6	10.7136	2 99/64	4.6450	1.9685	UC 328	C 328	18.5



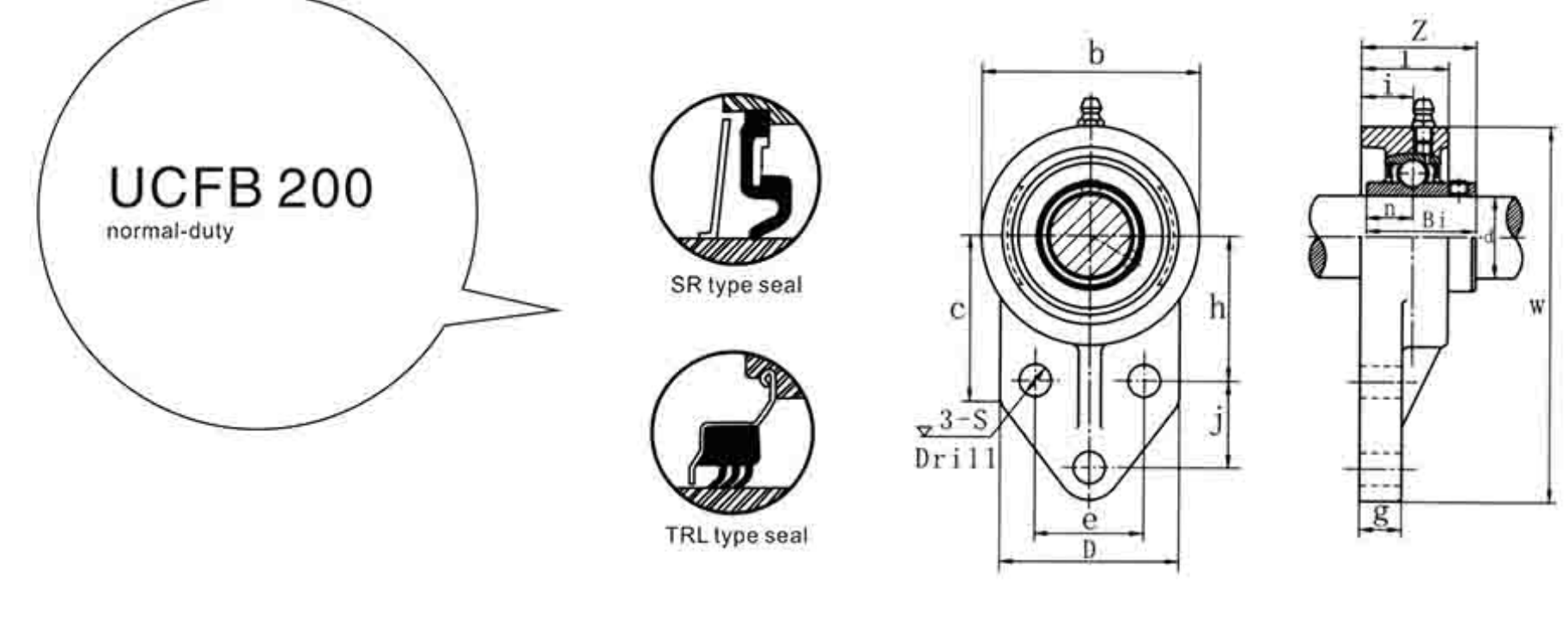
UKC 300  
heavy-duty



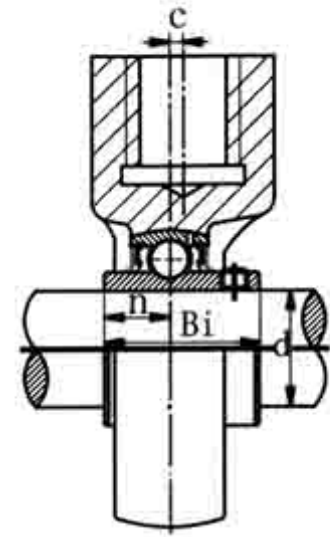
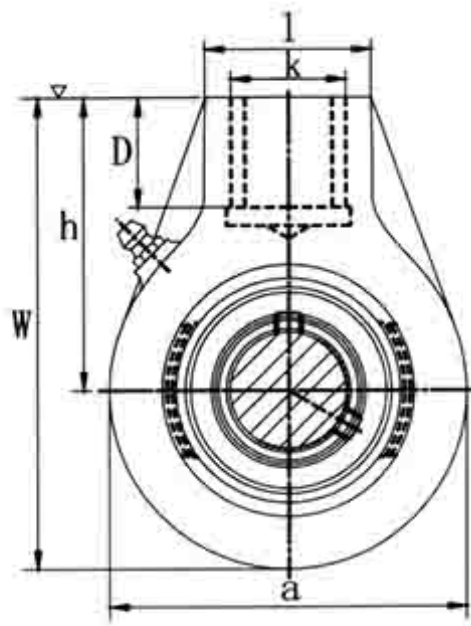
带座轴承代号 Bearing unit	轴径 Shaft Dia.	外形尺寸 (英寸) 或 (毫米) Dimensions(in)or(mm)				轴承代号 Bearing	紧定套 Adapter Sleeve	座代号 Bearing	重量 weight
No.	d	a	l	Bi	B2	No.	No.	No.	(kg)
(in.) (mm)									
UKC 305+HE2305	3/4	3.5433	1 1/32	1.37796	0.3150	UK 305	HE2305	C 305	1.1
UKC 306+HS2306	7/8	3.9370	1 7/64	1.4961	0.3150	UK 306	HS2306	C 306	1.4
UKC 307+HS2307	1 1/8	4.3307	1 17/64	1.6939	0.3543	UK 307	HS2307	C 307	1.8
UKC 308+HE2308	1 1/4	4.7244	1 11/32	1.8110	0.3937	UK 308	HE2308	C 308	2.2
UKC 309+HA2309	1 1/2	5.1181	1 1/2	1.9685	0.4330	UK 309	HA2309	C 309	2.7
UKC 310+HS2310	1 3/4	5.5118	1 37/64	2.1654	0.4724	UK 310	HS2310	C 310	3.3
UKC 311+HS2311	2	5.9055	1 47/64	2.3228	0.4724	UK 311	HS2311	C 311	3.9
UKC 312+HS2312	2 1/8	6.2992	1 13/16	2.4409	0.5118	UK 312	HS2312	C 312	4.7
UKC 313+HA2313	2 1/4	6.6929	1 31/32	2.5591	0.5512	UK 313	HA2313	C 313	5.6
UKC 315+HA2315	2 1/2	7.4803	2 11/64	2.8740	0.5906	UK 315	HA2315	C 315	7.8
UKC 316+HA2316	2 3/4	7.8740	2 23/64	3.0709	0.6693	UK 316	HA2316	C 316	9.1
UKC 317+HA2317	3	8.2677	2 33/64	3.2283	0.7087	UK 317	HA2317	C 317	10.4
UKC 318+H2318	3 1/4	8.6514	2 19/32	3.3858	0.7087	UK 318	H2318	C 318	11.7
UKC 319+H2319	3 3/4	8.9951	2 53/64	3.5433	0.7480	UK 319	H2319	C 319	13.0
UKC 320+H2320	4	9.3388	2 61/64	3.7000	0.7874	UK 320	H2320	C 320	14.3
UKC 322+H2322	4 1/2	9.6825	2 75/64	3.8575	0.8268	UK 322	H2322	C 322	15.6
UKC 324+H2324	5	10.0262	2 83/64	4.0150	0.8661	UK 324	H2324	C 324	16.9
UKC 326+H2326	5 1/2	10.3699	2 91/64	4.1725	0.9055	UK 326	H2326	C 326	18.2
UKC 328+H2328	6	10.7136	2 99/64	4.3300	0.9449	UK 328	H2328	C 328	19.5



带座轴承代号 Bearing unit	轴径 Shaft Dia.	外形尺寸 (英寸) 或 (毫米) Dimensions (in.) or (mm)													螺栓 Bolt used	轴承代号 Bearing	座代号 Bearing	重量 weight
No.	d	a	e	i	g	l	s	b	Z	c	Bi	n			No.	No.	(kg)	
UCFA 201	12	3 <sup>27</sup> / <sub>32</sub>	3 <sup>5</sup> / <sub>64</sub>	19 <sup>1</sup> / <sub>32</sub>	7 <sup>1</sup> / <sub>16</sub>	1 <sup>1</sup> / <sub>25</sub>	25 <sup>6</sup> / <sub>64</sub>	2 <sup>23</sup> / <sub>64</sub>	1 <sup>5</sup> / <sub>16</sub>	1 <sup>31</sup> / <sub>32</sub>	1.2205	0.5000	M8	5 <sup>1</sup> / <sub>16</sub>	UC 201	FA 201	0.47	
201-8	1/2	98	78	15	11	25.5	10	60	33.3	50	31.0	12.7			201-8			
UCFA 202	15	3 <sup>27</sup> / <sub>32</sub>	3 <sup>5</sup> / <sub>64</sub>	19 <sup>1</sup> / <sub>32</sub>	7 <sup>1</sup> / <sub>16</sub>	1 <sup>1</sup> / <sub>25</sub>	25 <sup>6</sup> / <sub>64</sub>	2 <sup>23</sup> / <sub>64</sub>	1 <sup>5</sup> / <sub>16</sub>	1 <sup>31</sup> / <sub>32</sub>	1.2205	0.5000	M8	5 <sup>1</sup> / <sub>16</sub>	UC 202	FA 202	0.47	
202-10	5/8	98	78	15	11	25.5	10	60	33.3	50	31.0	12.7			202-10			
UCFA 203	17	3 <sup>27</sup> / <sub>32</sub>	3 <sup>5</sup> / <sub>64</sub>	19 <sup>1</sup> / <sub>32</sub>	7 <sup>1</sup> / <sub>16</sub>	1 <sup>1</sup> / <sub>25</sub>	25 <sup>6</sup> / <sub>64</sub>	2 <sup>23</sup> / <sub>64</sub>	1 <sup>5</sup> / <sub>16</sub>	1 <sup>31</sup> / <sub>32</sub>	1.2205	0.5000	M8	5 <sup>1</sup> / <sub>16</sub>	UC 203	FA 203	0.47	
203-11	11/16	98	78	15	11	25.5	10	60	33.3	50	31.0	12.7			203-11			
UCFA 204-12	3/4	3 <sup>27</sup> / <sub>32</sub>	3 <sup>5</sup> / <sub>64</sub>	19 <sup>1</sup> / <sub>32</sub>	7 <sup>1</sup> / <sub>16</sub>	1 <sup>1</sup> / <sub>25</sub>	25 <sup>6</sup> / <sub>64</sub>	2 <sup>23</sup> / <sub>64</sub>	1 <sup>5</sup> / <sub>16</sub>	1 <sup>31</sup> / <sub>32</sub>	1.2205	0.5000	M8	5 <sup>1</sup> / <sub>16</sub>	UC 204-12	FA 204	0.47	
204	20	98	78	15	11	25.5	10	60	33.3	50	31.0	12.7			204			
UCFA 205-14	7/8														UC 205-14			
205-15	15/16	4 <sup>59</sup> / <sub>64</sub>	3 <sup>55</sup> / <sub>64</sub>	5 <sup>8</sup> / <sub>8</sub>	33 <sup>3</sup> / <sub>64</sub>	1 <sup>1</sup> / <sub>16</sub>	15 <sup>1</sup> / <sub>32</sub>	2 <sup>11</sup> / <sub>16</sub>	1 <sup>13</sup> / <sub>32</sub>	2 <sup>9</sup> / <sub>16</sub>	1.3386	0.5630	M10	3 <sup>7</sup> / <sub>8</sub>	205-15	FA 205	0.68	
205	25	125	98	16.0	13	27	12	68	35.7	65	34	14.3			205			
205-16	1														205-16			
UCFA 206-18	1 1/8														UC 206-18			
206	30	5 <sup>9</sup> / <sub>16</sub>	4 <sup>39</sup> / <sub>64</sub>	45 <sup>3</sup> / <sub>64</sub>	33 <sup>3</sup> / <sub>64</sub>	1 <sup>7</sup> / <sub>32</sub>	15 <sup>1</sup> / <sub>32</sub>	3 <sup>5</sup> / <sub>16</sub>	1 <sup>37</sup> / <sub>64</sub>	2 <sup>53</sup> / <sub>64</sub>	1.5000	0.6260	M10	3 <sup>7</sup> / <sub>8</sub>	206	FA 206	1.0	
206-19	1 3/16	141	117	18	13	31	12	84	40.2	72	38.1	15.9			206-19			
206-20	1 1/4														206-20			
UCFA 207-20	1 1/4														UC 207-20			
207-21	1 5/16	6 <sup>5</sup> / <sub>16</sub>	5 <sup>1</sup> / <sub>8</sub>	3 <sup>4</sup> / <sub>4</sub>	19 <sup>1</sup> / <sub>32</sub>	1 <sup>11</sup> / <sub>32</sub>	9 <sup>1</sup> / <sub>16</sub>	3 <sup>1</sup> / <sub>2</sub>	1 <sup>3</sup> / <sub>4</sub>	3 <sup>15</sup> / <sub>64</sub>	1.6890	0.6890	M12	7 <sup>1</sup> / <sub>16</sub>	207-21	FA 207	1.5	
207-22	1 3/8														207-22			
207	35	160	130	19	15	34	14	90	44.4	82	42.9	17.5			207			
207-23	1 7/16														207-23			
UCFA 208-24	1 1/2														UC 208-24			
208-25	1 9/16	6 <sup>23</sup> / <sub>32</sub>	5 <sup>43</sup> / <sub>64</sub>	53 <sup>5</sup> / <sub>64</sub>	5 <sup>8</sup> / <sub>8</sub>	1 <sup>1</sup> / <sub>2</sub>	9 <sup>1</sup> / <sub>16</sub>	4 <sup>1</sup> / <sub>8</sub>	2 <sup>1</sup> / <sub>64</sub>	3 <sup>27</sup> / <sub>64</sub>	1.9370	0.7480	M12	7 <sup>1</sup> / <sub>16</sub>	208-25	FA 208	1.9	
208	40	171	144	21	16	38	14	105	51.2	87	42.9	19.0			208			
UCFA 209-26	1 5/8														UC 209-26			
209-27	1 11/16	7 <sup>1</sup> / <sub>16</sub>	5 <sup>53</sup> / <sub>64</sub>	55 <sup>5</sup> / <sub>64</sub>	5 <sup>8</sup> / <sub>8</sub>	1 <sup>9</sup> / <sub>16</sub>	5 <sup>8</sup> / <sub>8</sub>	4 <sup>3</sup> / <sub>8</sub>	2 <sup>1</sup> / <sub>16</sub>	3 <sup>35</sup> / <sub>64</sub>	1.9370	0.7480	M14	1 <sup>1</sup> / <sub>2</sub>	209-27	FA 209	1.7	
209-28	1 3/4														209-28			
209	45	179	148	22	16	40	16	111	52.2	90	49.2	19.0			209			
UCFA 210-30	1 7/8														UC 210-30			
210-31	1 15/16	7 <sup>7</sup> / <sub>16</sub>	6 <sup>3</sup> / <sub>16</sub>	55 <sup>5</sup> / <sub>64</sub>	5 <sup>8</sup> / <sub>8</sub>	1 <sup>9</sup> / <sub>16</sub>	5 <sup>8</sup> / <sub>8</sub>	4 <sup>9</sup> / <sub>16</sub>	2 <sup>5</sup> / <sub>32</sub>	3 <sup>45</sup> / <sub>64</sub>	2.0315	0.7480	M14	1 <sup>1</sup> / <sub>2</sub>	210-31	FA 210	2.0	
210	50	189	157	22	16	40	16	116	54.6	94	51.6	19.0			210			
210-32	2														210-32			
UCFA 211-32	2														UC 211-32			
211-34	2 1/8	8 <sup>5</sup> / <sub>8</sub>	7 <sup>1</sup> / <sub>4</sub>	63 <sup>5</sup> / <sub>64</sub>	5 <sup>8</sup> / <sub>8</sub>	1 <sup>23</sup> / <sub>32</sub>	5 <sup>8</sup> / <sub>8</sub>	5 <sup>1</sup> / <sub>8</sub>	2 <sup>19</sup> / <sub>64</sub>	4 <sup>3</sup> / <sub>32</sub>	2.1890	0.7480	M14	1 <sup>1</sup> / <sub>2</sub>	211-34	FA 211	3.6	
211	55	219	184	25	16	44	16	130	58.4	104	55.6	22.2			211			
211-35	2 3/16														211-35			

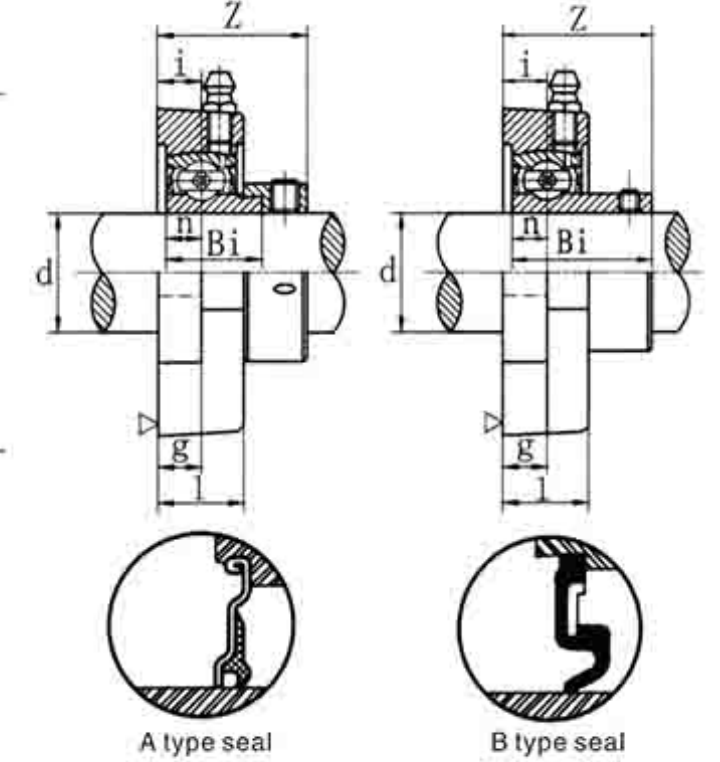
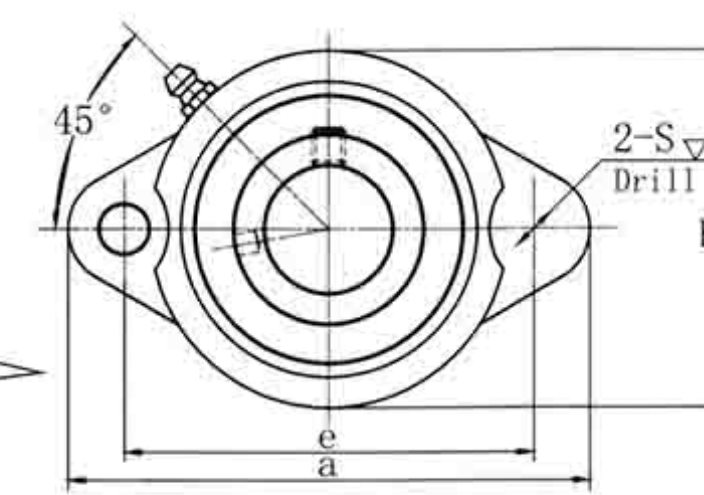


带座轴承代号 Bearing unit	轴径 Shaft Dia.	外形尺寸 (英寸) 或 (毫米) Dimensions (in.) or (mm)													螺栓 Bolt used	轴承代号 Bearing	座代号 Bearing	重量 weight		
No.	d	w	b	c	D	l	s	g	h	j	e	i	Z	Bi	n			No.	No.	(kg)
UCFB 201	12	4 <sup>11</sup> / <sub>32</sub>	2 <sup>7</sup> / <sub>16</sub>	2 <sup>1</sup> / <sub>16</sub>	2 <sup>1</sup> / <sub>16</sub>	1	25 <sup>6</sup> / <sub>64</sub>	1/2	1 <sup>21</sup> / <sub>32</sub>	1 <sup>1</sup> / <sub>16</sub>	1 <sup>17</sup> / <sub>64</sub>	19 <sup>1</sup> / <sub>32</sub>	1 <sup>5</sup> / <sub>16</sub>	1.2205	0.5000	M8	5 <sup>1</sup> / <sub>16</sub>	UC 201	FB 201	0.64
201-8	1/2	110	62	52	52	25.5	10	13	42	27	32	15	33.3	31.0	12.7			201-8		
UCFB 202	15	4 <sup>11</sup> / <sub>32</sub>	2 <sup>7</sup> / <sub>16</sub>	2 <sup>1</sup> / <sub>16</sub>	2 <sup>1</sup> / <sub>16</sub>	1	25 <sup>6</sup> / <sub>64</sub>	1/2	1 <sup>21</sup> / <sub>32</sub>	1 <sup>1</sup> / <sub>16</sub>	1 <sup>17</sup> / <sub>64</sub>	19 <sup>1</sup> / <sub>32</sub>	1 <sup>5</sup> / <sub>16</sub>	1.2205	0.5000	M8	5 <sup>1</sup> / <sub>16</sub>	UC 202	FB 202	0.64
202-10	5/8	110	62	52	52	25.5	10	13	42	27	32	15	33.3	31.0	12.7			202-10		
UCFB 203	17	4 <sup>11</sup> / <sub>32</sub>	2 <sup>7</sup> / <sub>16</sub>	2 <sup>1</sup> / <sub>16</sub>	2 <sup>1</sup> / <sub>16</sub>	1	25 <sup>6</sup> / <sub>64</sub>	1/2	1 <sup>21</sup> / <sub>32</sub>	1 <sup>1</sup> / <sub>16</sub>	1 <sup>17</sup> / <sub>64</sub>	19 <sup>1</sup> / <sub>32</sub>	1 <sup>5</sup> / <sub>16</sub>	1.2205	0.5000	M8	5 <sup>1</sup> / <sub>16</sub>	UC 203	FB 203	0.64
203-11	11/16	110	62	52	52	25.5	10	13	42	27	32	15	33.3	31.0	12.7			203-11		
UCFB 204-12	3/4	4 <sup>11</sup> / <sub>32</sub>	2 <sup>7</sup> / <sub>16</sub>	2 <sup>1</sup> / <sub>16</sub>	2 <sup>1</sup> / <sub>16</sub>	1	25 <sup>6</sup> / <sub>64</sub>	1/2	1 <sup>21</sup> / <sub>32</sub>	1 <sup>1</sup> / <sub>16</sub>	1 <sup>17</sup> / <sub>64</sub>	19 <sup>1</sup> / <sub>32</sub>	1 <sup>5</sup> / <sub>16</sub>	1.2205	0.5000	M8	5 <sup>1</sup> / <sub>16</sub>	204	FB 204	0.64
204	20	110	62	52	52	25.5	10	13	42	27	32	15	33.3	31.0	12.7			204		
UCFB 205-14	7/8																	UC 205-14		
205-15	15/16	4 <sup>9</sup> / <sub>16</sub>	2 <sup>11</sup> / <sub>16</sub>	2 <sup>1</sup> / <sub>16</sub>	2 <sup>7</sup> / <sub>32</sub>	1 <sup>1</sup> / <sub>16</sub>	25 <sup>6</sup> / <sub>64</sub>	1/2	1 <sup>49</sup> / <sub>64</sub>	1 <sup>1</sup> / <sub>16</sub>	1 <sup>11</sup> / <sub>32</sub>	5 <sup>8</sup> / <sub>8</sub>	1 <sup>13</sup> / <sub>32</sub>	1.3386	0.5630	M8	5 <sup>1</sup> / <sub>16</sub>	205	FB 205	0.68
205	25	116	68	52	56	27	10	13	45	27	34	16	35.7	34	14.3			205		
205-16	1																	205-16		
UCFB 206-18	1 1/8																	UC 206-18		
206	30	5 <sup>13</sup> / <sub>64</sub>	3 <sup>5</sup> / <sub>32</sub>	2 <sup>5</sup> / <sub>32</sub>	2 <sup>9</sup> / <sub>16</sub>	1 <sup>7</sup> / <sub>32</sub>	25 <sup>6</sup> / <sub>64</sub>	1/2	1 <sup>31</sup> / <sub>32</sub>	1 <sup>9</sup> / <sub>64</sub>	1 <sup>37</sup> / <sub>64</sub>	45 <sup>3</sup> / <sub>64</sub>	1 <sup>37</sup> / <sub>64</sub>	1.5000	0.6260	M8	5 <sup>1</sup> / <sub>16</sub>	206	FB 206	0.92
206-19	1 3/16	132	80	55	65	31	10	13	50	29	40	18	40.2	38.1	15.9			206-19		
206-20	2																	206-20		
UCFB 207-20	1 1/4																	UC 207-20		
207-21	1 5/16																	207	FB 207	1.3
207-22	1 3/8	5 <sup>21</sup> / <sub>32</sub>	3 <sup>17</sup> / <sub>32</sub>	2 <sup>7</sup> / <sub>16</sub>	2 <sup>3</sup> / <sub>4</sub>	1 <sup>11</sup> / <sub>32</sub>	25 <sup>6</sup> / <sub>64</sub>	19 <sup>1</sup> / <sub>32</sub>	2 <sup>11</sup> / <sub>64</sub>	1 <sup>17</sup> / <sub>64</sub>	1 <sup>13</sup> / <sub>16</sub>	3 <sup>4</sup> / <sub>4</sub>	1 <sup>3</sup> / <sub>4</sub>	1.6890	0.6890	M8	5 <sup>1</sup> / <sub>16</sub>	UC 207-23		
207	35	144	90	62	70	34	10	15	55	32	46	19	44.4	42.9	17.5			207		
207-23	1 7/16																	207-23		
UCFB 208-24	1 1/2																	UC 208		
208-25	1 9/16	6 <sup>15</sup> / <sub>32</sub>	3 <sup>15</sup> / <sub>16</sub>	2 <sup>27</sup> / <sub>32</sub>	3 <sup>1</sup> / <sub>16</sub>															



UCHA 200  
(normal-duty)

SALF 200  
Eccentric Locking Collar Type  
SBLF 200  
(Setscrew Type)

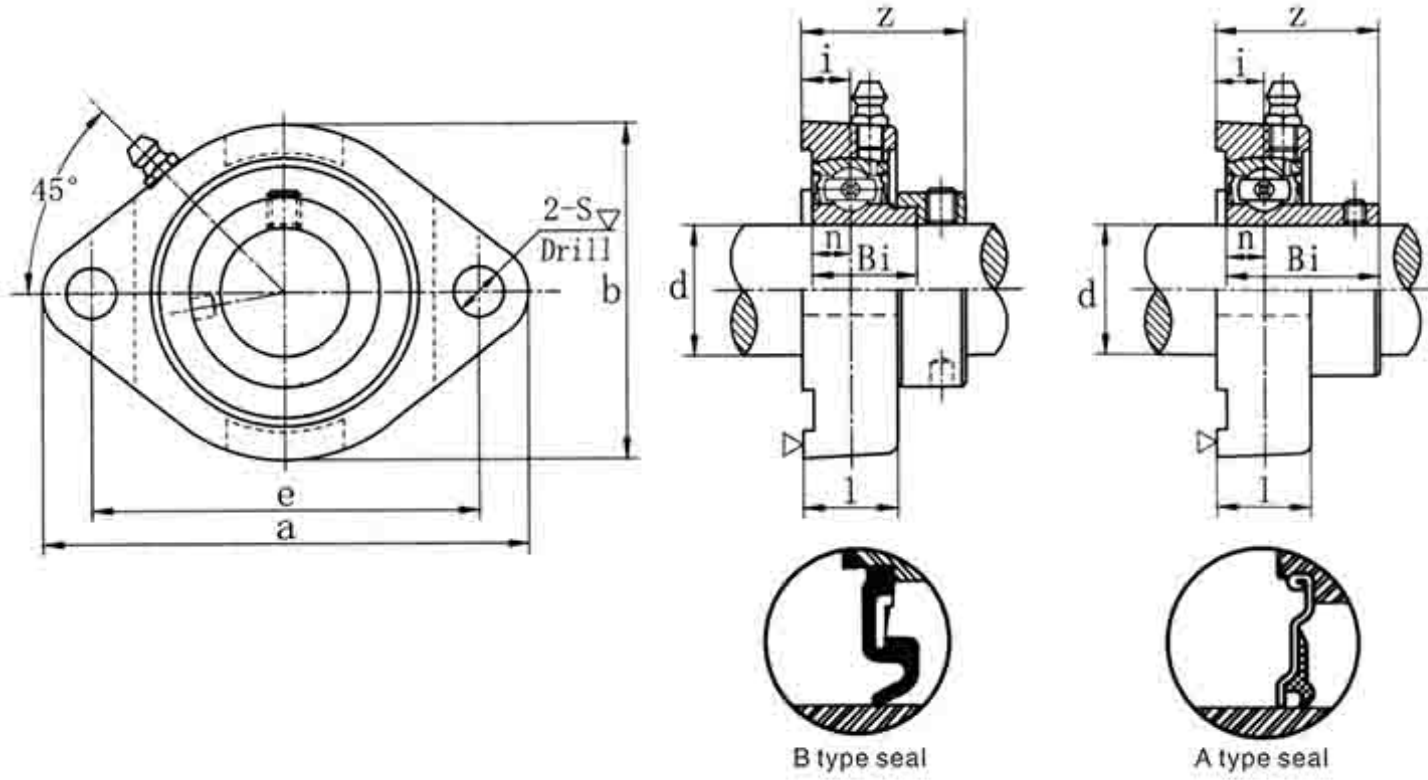


带座轴承代号 Bearing unit	轴径 Shaft Dia.	外形尺寸(英寸)或(毫米) Dimensions(in.)or(mm)										轴承代号 Bearing	座代号 Bearing	重量 weight
No.	d	a	W	c	h	l	D	K	Bi	n	No.	No.	(kg)	
UCHA 201	1/2	12	2 17/32	3 25/32	0	2 33/64	1 9/16	3/4	G 3/4	1.2205	0.5000	UC 201	HA201	0.77
UCHA 201-8	1/2	12	2 17/32	3 25/32	0	2 33/64	1 9/16	3/4	G 3/4	31.0	12.7	201-8	HA201	0.77
UCHA 202	5/8	15	2 17/32	3 25/32	0	2 33/64	1 9/16	3/4	G 3/4	1.2205	0.5000	UC 202	HA202	0.77
UCHA 202-10	5/8	15	2 17/32	3 25/32	0	2 33/64	1 9/16	3/4	G 3/4	31.0	12.7	202-10	HA202	0.77
UCHA 203	11/16	17	2 17/32	3 25/32	0	2 33/64	1 9/16	3/4	G 3/4	1.2205	0.5000	UC 203	HA203	0.77
UCHA 203-11	11/16	17	2 17/32	3 25/32	0	2 33/64	1 9/16	3/4	G 3/4	31.0	12.7	203-11	HA203	0.77
UCHA 204-12	3/4	20	2 17/32	3 25/32	0	2 33/64	1 9/16	3/4	G 3/4	1.2205	0.5000	UC 204-12	HA204	0.77
UCHA 204	3/4	20	2 17/32	3 25/32	0	2 33/64	1 9/16	3/4	G 3/4	31.0	12.7	204	HA204	0.77
UCHA 205-14	7/8	25	3 1/16	4 1/16	0	2 33/64	1 9/16	3/4	G 3/4	1.3386	0.5630	UC 205-14	HA205	0.87
UCHA 205-15	7/8	25	3 1/16	4 1/16	0	2 33/64	1 9/16	3/4	G 3/4	1.3386	0.5630	205-15	HA205	0.87
UCHA 205	1	25	3 1/16	4 1/16	0	2 33/64	1 9/16	3/4	G 3/4	34	14.3	205	HA205	0.87
UCHA 205-16	1	25	3 1/16	4 1/16	0	2 33/64	1 9/16	3/4	G 3/4	34	14.3	205-16	HA205	0.87
UCHA 206-18	1 1/8	30	3 1/16	4 1/16	0	2 33/64	1 9/16	3/4	G 3/4	1.5000	0.6260	UC 206-18	HA206	0.83
UCHA 206	1 1/8	30	3 1/16	4 1/16	0	2 33/64	1 9/16	3/4	G 3/4	1.5000	0.6260	206	HA206	0.83
UCHA 206-19	1 1/8	30	3 1/16	4 1/16	0	2 33/64	1 9/16	3/4	G 3/4	38.1	15.9	206-19	HA206	0.83
UCHA 206-20	1 1/8	30	3 1/16	4 1/16	0	2 33/64	1 9/16	3/4	G 3/4	38.1	15.9	206-20	HA206	0.83
UCHA 207-20	1 1/4	35	3 5/8	4 9/16	0	2 3/4	1 9/16	3/4	G 3/4	1.6890	0.6890	UC 207-20	HA207	1.2
UCHA 207-21	1 1/4	35	3 5/8	4 9/16	0	2 3/4	1 9/16	3/4	G 3/4	1.6890	0.6890	207-21	HA207	1.2
UCHA 207-22	1 1/4	35	3 5/8	4 9/16	0	2 3/4	1 9/16	3/4	G 3/4	42.9	17.5	207-22	HA207	1.2
UCHA 207	1 1/4	35	3 5/8	4 9/16	0	2 3/4	1 9/16	3/4	G 3/4	42.9	17.5	207	HA207	1.2
UCHA 207-23	1 1/4	35	3 5/8	4 9/16	0	2 3/4	1 9/16	3/4	G 3/4	42.9	17.5	207-23	HA207	1.2
UCHA 208-24	1 1/2	40	3 25/32	4 3/4	5/64	2 7/8	1 9/16	3/4	G 3/4	1.9370	0.7480	UC 208-24	HA208	1.3
UCHA 208-25	1 1/2	40	3 25/32	4 3/4	5/64	2 7/8	1 9/16	3/4	G 3/4	1.9370	0.7480	208-25	HA208	1.3
UCHA 208	1 1/2	40	3 25/32	4 3/4	5/64	2 7/8	1 9/16	3/4	G 3/4	49.2	19.0	208	HA208	1.3
UCHA 209-26	1 5/8	45	4 1/4	5 11/32	13/64	3 15/64	1 7/8	13/16	G1	1.9370	0.7480	UC 209-26	HA209	1.7
UCHA 209-27	1 5/8	45	4 1/4	5 11/32	13/64	3 15/64	1 7/8	13/16	G1	1.9370	0.7480	209-27	HA209	1.7
UCHA 209-28	1 5/8	45	4 1/4	5 11/32	13/64	3 15/64	1 7/8	13/16	G1	49.2	19.0	209-28	HA209	1.7
UCHA 209	1 5/8	45	4 1/4	5 11/32	13/64	3 15/64	1 7/8	13/16	G1	49.2	19.0	209	HA209	1.7
UCHA 210-30	1 7/8	50	4 21/32	5 19/32	13/64	3 17/64	1 7/8	13/16	G1	2.0315	0.7480	UC 210-30	HA210	2.1
UCHA 210-31	1 7/8	50	4 21/32	5 19/32	13/64	3 17/64	1 7/8	13/16	G1	2.0315	0.7480	210-31	HA210	2.1
UCHA 210	1 7/8	50	4 21/32	5 19/32	13/64	3 17/64	1 7/8	13/16	G1	51.6	19.0	210	HA210	2.1
UCHA 210-32	2	50	4 21/32	5 19/32	13/64	3 17/64	1 7/8	13/16	G1	51.6	19.0	210-32	HA210	2.1
UCHA 211-32	2 1/8	55	4 31/32	5 29/32	9/32	3 27/64	2 3/8	1	G1 1/4	2.1890	0.8740	UC 211-32	HA211	2.8
UCHA 211-34	2 1/8	55	4 31/32	5 29/32	9/32	3 27/64	2 3/8	1	G1 1/4	2.1890	0.8740	211-34	HA211	2.8
UCHA 211	2 1/8	55	4 31/32	5 29/32	9/32	3 27/64	2 3/8	1	G1 1/4	55.6	22.2	211	HA211	2.8
UCHA 211-35	2 3/16	55	4 31/32	5 29/32	9/32	3 27/64	2 3/8	1	G1 1/4	55.6	22.2	211-35	HA211	2.8
UCHA 212-36	2 1/4	60	4 19/32	6 13/16	23/64	4 1/64	2 3/8	1 3/32	G1 1/4	2.5630	1.0000	UC 212-36	HA212	3.9
UCHA 212	2 1/4	60	4 19/32	6 13/16	23/64	4 1/64	2 3/8	1 3/32	G1 1/4	2.5630	1.0000	212	HA212	3.9
UCHA 212-38	2 3/8	60	4 19/32	6 13/16	23/64	4 1/64	2 3/8	1 3/32	G1 1/4	65.1	25.4	212-38	HA212	3.9
UCHA 212-39	2 3/8	60	4 19/32	6 13/16	23/64	4 1/64	2 3/8	1 3/32	G1 1/4	65.1	25.4	212-39	HA212	3.9
UCHA 213-40	2 1/2	65	6 17/32	7 7/8	3/8	4 39/64	2 3/4	1 1/4	G1 1/2	2.5630	1.0000	UC 213-40	HA213	5.8
UCHA 213	2 1/2	65	6 17/32	7 7/8	3/8	4 39/64	2 3/4	1 1/4	G1 1/2	65.1	25.4	213	HA213	5.8
UCHA 214-44	2 3/4	70	6 17/32	7 7/8	3/8	4 39/64	2 3/4	1 1/4	G1 1/2	2.9370	1.1890	UC 214-44	HA214	5.9
UCHA 214	2 3/4	70	6 17/32	7 7/8	3/8	4 39/64	2 3/4	1 1/4	G1 1/2	74.6	30.2	214	HA214	5.9
UCHA 215	2 5/8	75	6 17/32	7 7/8	3/8	4 39/64	2 3/4	1 1/4	G1 1/2	3.0630	1.3110	UC 215	HA215	5.6
UCHA 215-47	2 5/8	75	6 17/32	7 7/8	3/8	4 39/64	2 3/4	1 1/4	G1 1/2	3.0630	1.3110	215-47	HA215	5.6
UCHA 215-48	3	75	6 17/32	7 7/8	3/8	4 39/64	2 3/4	1 1/4	G1 1/2	77.8	33.3	215-48	HA215	5.6

带座轴承代号 Bearing unit	轴径 Shaft Dia.	外形尺寸(英寸)或(毫米) Dimensions(in.)or(mm)										螺栓 Bolt used	轴承代号 Bearing	座代号 Bearing	重量 weight
No.	d	a	e	i	g	l	N	b	z	Bi	n	(in.) (mm)	No.	No.	(kg)
SALF 201	1/2	12											SA 201		0.30
SALF 201-8	1/2	12											201-8	LF 203	0.29
SALF 202	5/8	15	3 3/16	2 1/2	3/8	3/8	45/64	5/16	2 7/32	1 17/64	0.7520	0.2362	202	LF 203	0.29
SALF 202-10	5/8	15	3 3/16	2 1/2	3/8	3/8	45/64	5/16	2 7/32	1 17/64	0.7520	0.2362	202-10	LF 203	0.29
SALF 203	11/16	17	81	63.5	9.5	9.5	18	8	56	32.1	19.1	6.0	SA 203		0.28
SALF 203-11	11/16	17	81	63.5	9.5	9.5	18	8	56	32.1	19.1	6.0	203-11		0.28
SALF 204-12	3/4	20	3 35/64	2 13/16	7/16	7/16	25/32	25/64	2 13/32	1 3/8	0.8465	0.2756	SA 204-12	LF 204	0.39
SALF 204	3/4	20	3 35/64	2 13/16	7/16	7/16	25/32	25/64	2 13/32	1 3/8	0.8465	0.2756	204	LF 204	0.39
SALF 205-14	7/8	25	3 25/32	3	7/16	7/16	25/32	25/64	2 33/64	1 23/64	0.8465	0.2953	SA 205-14	LF 205	0.47
SALF 205-15	7/8	25	3 25/32	3	7/16	7/16	25/32	25/64	2 33/64	1 23/64	0.8465	0.2953	205-15	LF 205	0.47
SALF 205	1	25	96	76	11	11	20	10	64	34.5	21.5	7.5	205		0.47
SALF 205-16	1	25	96	76	11	11	20	10	64	34.5	21.5	7.5	205-16		0.47
SALF 206-18	1 1/8	30	4 29/64	3 9/16	15/32	15/32	57/64	15/32	3	1 19/16	0.9370	0.3150	SA 206-18	LF 206	0.63
SALF 206	1 1/8	30	4 29/64	3 9/16	15/32	15/32	57/64	15/32	3	1 19/16	0.9370	0.3150	206	LF 206	0.63
SALF 206-19	1 1/8	30	4 29/64	3 9/16	15/32	15/32	57/64	15/32	3	1 19/16	0.9370	0.3150	206-19	LF 206	0.63
SALF 206-20	1 1/8	30	4 29/64	3 9/16	15/32	15/32	57/64	15/32	3	1 19/16	0.9370	0.3150	206-20	LF 206	0.63
SALF 207-20	1 1/4	35	113	90.5	12	12	22.5	12	76	39.7	23.8	8.0	SA 207-20		0.92
SALF 207-21	1 1/4	35	113	90.5	12	12	22.5	12	76	39.7	23.8	8.0	207-21		0.92
SALF 207-22	1 1/4	35	113	90.5	12	12	22.5	12	76	39.7	23.8	8.0	207-22	LF 207	0.92
SALF 207	1 1/4	35	113	90.5	12	12	22.5	12	76	39.7					

Light-duty Oval Flange Units(FD Type)

窄菱形座



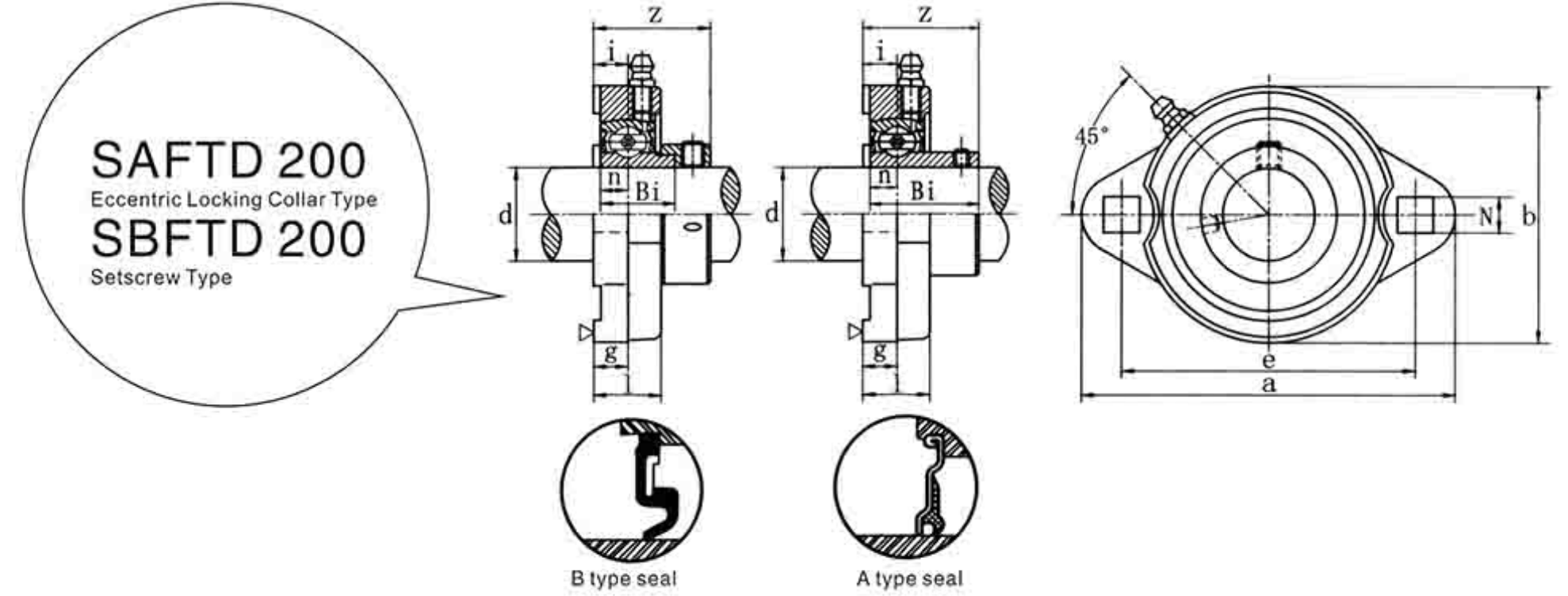
SAFD 200  
Eccentric Locking Collar Type  
SBFD 200  
Setscrew Type

带座轴承代号 Bearing unit	轴径 Shaft Dia.	外形尺寸 (英寸) 或 (毫米) Dimensions(in)or(mm)										螺栓 Bolt used	轴承代号 Bearing	座代号 Bearing	重量 weight
No.	d	a	e	i	l	s	b	z	Bi	n	(in.) (mm)	(in.) (mm)	No.	No.	(kg)
SAFD 201	12												SA 201		0.33
201-8	1/2												201-8		0.32
202	15	3 3/16	2 1/2	19/64	19/32	9/32	2 5/16	1 3/16	0.7520	0.2362	M6	1/4	202	FD 203	0.32
202-10	5/8	81	63.5	7.5	15	7	59	30.1	19.1	6.0			202-10		0.32
203	17												203		0.32
203-11	1 1/16												203-11		0.32
SAFD 204-12	3/4	3 9/16	2 13/16	3/8	43/64	25/64	2 5/8	1 5/16	0.8465	0.2756	M8	5/16	SA 204-12	FD 204	0.42
204	20	90.5	71.4	9.5	17	10	66.5	33.5	21.5	7.0			204		0.42
SAFD 205-14	7/8												SA 205-14		0.50
205-15	1 5/16	3 13/16	2	3/8	11/16	25/64	2 5/16	1 19/64	0.8465	0.2953	M8	5/16	205	FD 205	0.50
205	25	97	76.2	9.5	17.5	10	71	33.0	21.5	7.5			205		0.50
205-16	1												205-16		0.50
SAFD 206-18	1 1/8	4 7/16	3 9/16	25/64	53/64	15/32	3 5/16	1 31/64	0.9370	0.3150	M10	3/8	SA 206-18	FD 206	0.77
206	30	112.5	90.5	10	21	12	84	37.7	23.8	8.0			206		0.77
206-19	3 3/16												206-19		0.77
206-20	1 1/4												206-20		0.77
SAFD 207-20	1 1/4												SA 207-20		1.09
207-21	5/8	4 31/32	3 15/16	25/64	7/8	15/32	3 45/16	1 19/32	3.410	0.3346	M10	3/8	207-21	FD 207	1.09
207-22	3 3/8												207-22		1.09
207	35	126	100	10	22	12	94	40.4	25.4	8.5			207		1.09
207-23	1 7/16												207-23		1.09

带座轴承代号 Bearing unit	轴径 Shaft Dia.	外形尺寸 (英寸) 或 (毫米) Dimensions(in)or(mm)										螺栓 Bolt used	轴承代号 Bearing	座代号 Bearing	重量 weight
No.	d	a	e	i	l	s	b	z	Bi	n	(in.) (mm)	(in.) (mm)	No.	No.	(kg)
SBFD 201	12												SB 201		0.33
201-8	1/2												201-8		0.32
202	15	3 3/16	2 1/2	19/64	19/32	9/32	2 5/16	1 5/16	0.8661	0.2362	M6	1/4	202	FD 203	0.32
202-10	5/8	81	63.5	7.5	15	7	58.7	23.5	22	6.0			202-10		0.32
203	17												203		0.32
203-11	1 1/16												203-11		0.32
SBFD 204-12	3/4	3 9/16	2 13/16	3/8	43/64	25/64	2 5/8	1 5/16	0.9843	0.2756	M8	5/16	SB 204-12	FD 204	0.42
204	20	90.5	71.4	9.5	17	10	66.5	27.5	25	7.0			204		0.42
SBFD 205-14	7/8												SB 205-14		0.50
205-15	1 5/16	3 13/16	2	3/8	11/16	25/64	2 5/16	1 9/64	1.0630	0.2953	M8	5/16	205	FD 205	0.50
205	25	97	76.2	9.5	17.5	10	71	29	27	7.5			205		0.50
205-16	1												205-16		0.50
SBFD 206-18	1 1/8	4 7/16	3 9/16	25/64	53/64	15/32	3 5/16	1 17/64	1.1811	0.3150	M10	3/8	SB 206-18	FD 206	0.77
206	30	112.5	90.5	10	21	12	84	32	30	8.0			206		0.77
206-19	3 3/16												206-19		0.77
206-20	1 1/4												206-20		0.77
SBFD 207-20	1 1/4												SB 207-20		1.09
207-21	5/8	4 31/32	3 15/16	25/64	7/8	15/32	3 45/16	1 5/16	1.2598	0.3346	M10	3/8	207-21	FD 207	1.09
207-22	3 3/8												207-22		1.09
207	35	126	100	10	22	12	94	33.5	32	8.5			207		1.09
207-23	1 7/16												207-23		1.09

Ductile Iron Oval Flange Units(PFTD Type)

球墨铸铁短菱形座



SAFTD 200  
Eccentric Locking Collar Type  
SBFTD 200  
Setscrew Type

带座轴承代号 Bearing unit	轴径 Shaft Dia.	外形尺寸 (英寸) 或 (毫米) Dimensions(in)or(mm)										螺栓 Bolt used	轴承代号 Bearing	座代号 Bearing	重量 weight	
No.	d	a	e	i	g	l	N	b	z	Bi	n	(in.) (mm)	(in.) (mm)	No.	No.	(kg)
SAFTD201	12												SA 201		0.27	
201-8	1/2												201-8		0.26	
202	15	3 1/4	2 9/16	15/32	13/32	23/32	9/32	2 9/32	1 23/64	0.7520	0.2362	M6	1/4	202	PFTD 203	0.26
202-10	5/8	83	65	12	10.5	18	7.2	58	34.6	19.1	6.0			202-10		0.25
203	17												203		0.25	
203-11	1 1/16												203-11		0.25	
SAFTD204-12	3/4	3 11/16	2 13/16	7/16	7/16	49/64	11/32	2 39/64	1 3/8	0.8465	0.2756	M8	5/16	SA 204-12	PFTD 204	0.31
204	20	94	71.4	11	11	19.5	9	66	35	21.5	7.0			204		0.31
SAFTD205-14	7/8												SA 205-14		0.42	
205-15	1 5/16	3 55/64	3	7/16	7/16	51/64	11/32	2 23/32	1 23/64	0.8465	0.2953	M8	5/16	205	PFTD 205	0.42
205	25	98	76	11	11	20	9.0	69	34.5	21.5	7.5			205		0.42
205-16	1												205-16		0.42	
SAFTD206-18	1 1/8	4 9/16	3 17/32	1/2	1/2	55/64	13/32	3 13/64	1 19/32	0.9370	0.3150	M10	3/8	SA 206-18	PFTD 206	0.59
206	30	116	89.7	12.7	12.7	22	10.3	81	40.4	23.8	8.0			206		0.59
206-19	3 3/16												206-19		0.59	
206-20	1 1/4												206-20		0.59	
SAFTD207-20	1 1/4												SA 207-20		0.83	
207-21	5/8	4 13/16	3 15/16	1/2	1/2	15/16	13/32	3 33/64	1 45/64	1.0000	0.3346	M10	3/8	207-21	PFTD 207	0.83
207-22	3 3/8												207-22		0.83	
207	35	122	100	12.7	12.7	23.8	10.3	89	43.1	25.4	8.5			207		0.83
207-23	1 7/16												207-23		0.83	

带座轴承代号 Bearing unit	轴径 Shaft Dia.	外形尺寸 (英寸) 或 (毫米) Dimensions(in)or(mm)										螺栓 Bolt used	轴承代号 Bearing	座代号 Bearing	重量 weight	
No.	d	a	e	i	g	l	N	b	z	Bi	n	(in.) (mm)	(in.) (mm)	No.	No.	(kg)
SBFTD201	12												SB 201		0.24	
201-8	1/2												201-8		0.26	
202	15	3 1/4	2 9/16	15/32	13/32	23/32	9/32	2 9/32	1 7/64	0.8661	0.2362	M6	1/4	202	PFTD 203	0.26
202-10	5/8	83	65	12	10.5	18	7.2	58	28	22	6.0			202-10		0.25
203	17												203		0.25	
203-11	1 1/16												203-11		0.25	
SBFTD204-12	3/4	3 11/16	2 13/16	7/16	7/16	49/64	11/32	2 39/64	1 9/64	0.9843	0.2756	M8	5/16	SB 204-12	PFTD 204	0.31
204	20	94	71.4	11	11	19.5	9	66	29	25	7.0			204		0.31
SBFTD205-14	7/8												SB 205-14		0.42	
205-15	1 5/16	3 55/64	3	7/16	7/16	51/64	11/32	2 23/32	1 13/64	1.0630	0.2953	M8	5/16	205	PFTD 205	0.42
205	25	98	76	11	11	20	9.0	69	30.5	27	7.5			205		0.42
205-16	1												205-16		0.42	
SBFTD206-18	1 1/8	4 9/16	3 17/32	1/2	1/2	55/64	13/32	3 13/64	1 23/64	1.1811	0.3150	M10	3/8	SB 206-18	PFTD 206	0.59
206	30	116	89.7	12.7	12.7	22	10.3	81	34.7	30	8.0			206		0.59
206-19	3 3/16												206-19		0.59	
206-20	1 1/4												206-20		0.59	
SBFTD207-20	1 1/4												SB 207-20		0.83	
207-21	5/8	4 13/16	3 15/16	1/2	1/2	15/16	13/32</									