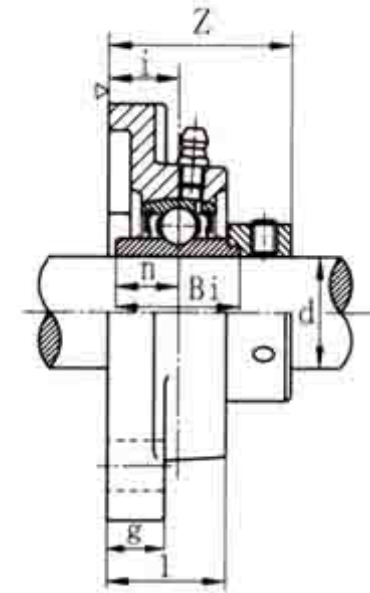
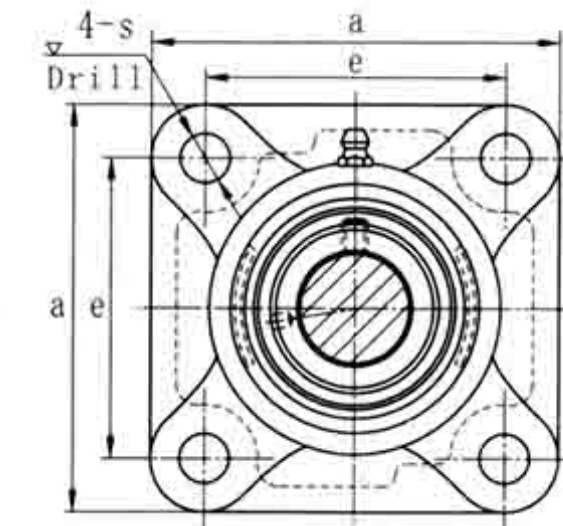
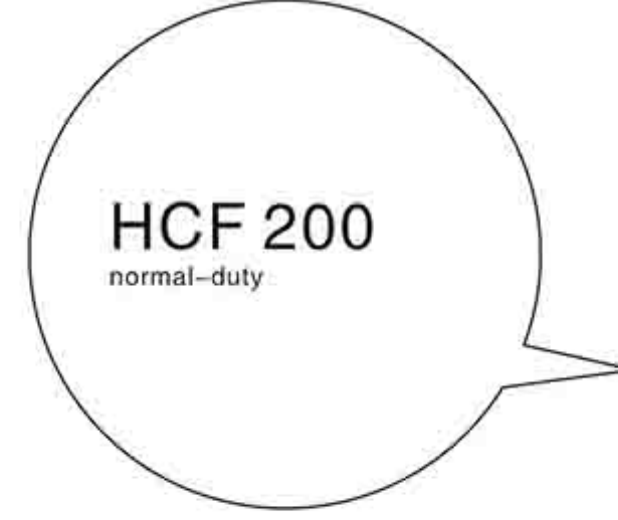


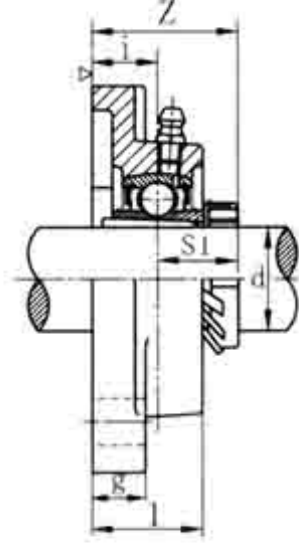
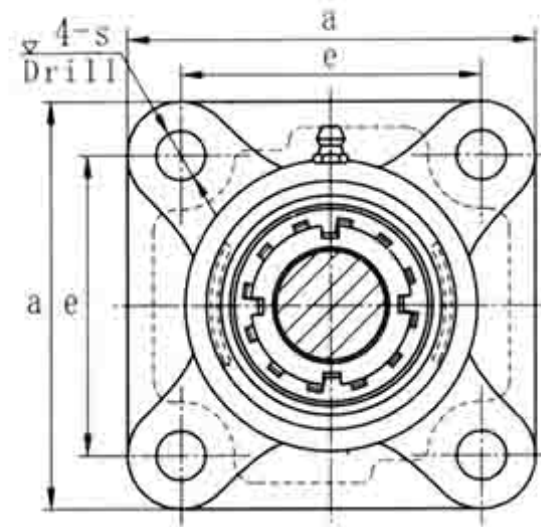
UCF 200  
normal-duty



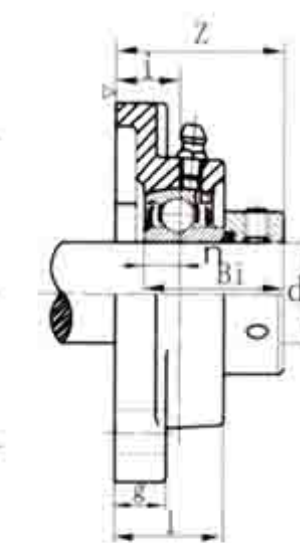
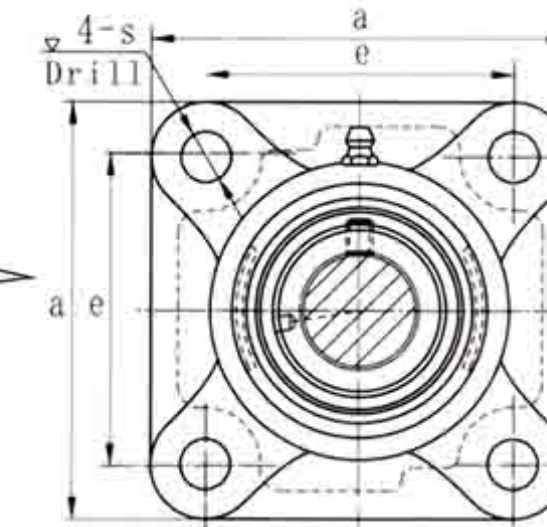
HCF 200  
normal-duty

带座轴承代号 Bearing Unit	轴径 Shaft Dia	外形尺寸 (英寸) 或 (毫米) Dimensions (in.) or (mm)										螺栓 Bolt Used	轴承代号 Bearing	座代号 Housing	重量 Weight
No.	d	a	e	i	g	l	s	Z	Bi	n		No.	No.	(kg)	
UCF 201	12	3 <sup>3</sup> / <sub>8</sub>	2 <sup>33</sup> / <sub>64</sub>	19 <sup>1</sup> / <sub>32</sub>	15 <sup>15</sup> / <sub>32</sub>	1	15 <sup>15</sup> / <sub>32</sub>	15 <sup>15</sup> / <sub>32</sub>	1.2205	0.5000	M10	3/8	UC 201	F201	0.63
UCF 201-8	1/2	86	64	15	12	25.5	12	33.3	31.0	12.7			201-8		
UCF 202	15	3 <sup>3</sup> / <sub>8</sub>	2 <sup>33</sup> / <sub>64</sub>	19 <sup>1</sup> / <sub>32</sub>	15 <sup>15</sup> / <sub>32</sub>	1	15 <sup>15</sup> / <sub>32</sub>	15 <sup>15</sup> / <sub>32</sub>	1.2205	0.5000	M10	3/8	UC 202	F202	0.63
UCF 202-10	5/8	86	64	15	12	25.5	12	33.3	31.0	12.7			202-10		
UCF 203	17	3 <sup>3</sup> / <sub>8</sub>	2 <sup>33</sup> / <sub>64</sub>	19 <sup>1</sup> / <sub>32</sub>	15 <sup>15</sup> / <sub>32</sub>	1	15 <sup>15</sup> / <sub>32</sub>	15 <sup>15</sup> / <sub>32</sub>	1.2205	0.5000	M10	3/8	UC 203	F203	0.63
UCF 203-11	11/16	86	64	15	12	25.5	12	33.3	31.0	12.7			203-11		
UCF 204-12	3/4	86	64	15	12	25.5	12	33.3	31.0	12.7			204-12		
UCF 204	20	3 <sup>3</sup> / <sub>8</sub>	2 <sup>33</sup> / <sub>64</sub>	19 <sup>1</sup> / <sub>32</sub>	15 <sup>15</sup> / <sub>32</sub>	1	15 <sup>15</sup> / <sub>32</sub>	15 <sup>15</sup> / <sub>32</sub>	1.2205	0.5000	M10	3/8	UC 204	F204	0.63
UCF 205-14	7/8	86	64	15	12	25.5	12	33.3	31.0	12.7			205-14		
UCF 205-15	15/16	86	64	15	12	25.5	12	33.3	31.0	12.7			205-15		
UCF 205	25	3 <sup>3</sup> / <sub>4</sub>	2 <sup>3</sup> / <sub>4</sub>	5/8	9/16	11/16	15/32	1 <sup>13</sup> / <sub>32</sub>	1.3386	0.5630	M10	3/8	UC 205	F205	0.82
UCF 205-16	1	95	70	16	14	27	12	35.7	34	14.3			205-16		
UCF 206-18	1 1/8	108	83	18	14	31	12	40.2	38.1	15.9	M10	3/8	UC 206	F206	1.10
UCF 206	30	4 1/4	3 17/64	45/64	9/16	17/32	15/32	1 19/32	1.5000	0.6260			206		
UCF 206-19	1 3/16	108	83	18	14	31	12	40.2	38.1	15.9			206-19		
UCF 206-20	1 1/4	108	83	18	14	31	12	40.2	38.1	15.9			206-20		
UCF 207-20	1 1/4	108	83	18	14	31	12	40.2	38.1	15.9			207-20		
UCF 207-21	1 5/16	137	105	22	18	38	16	52.2	49.2	19.0	M12	7/16	UC 207	F207	1.50
UCF 207-22	1 3/8	137	105	22	18	38	16	52.2	49.2	19.0			207-22		
UCF 207	35	117	92	19	16	34	14	44.4	42.9	17.5			207		
UCF 207-23	1 7/16	137	105	22	18	38	16	52.2	49.2	19.0			207-23		
UCF 208-24	1 1/2	137	105	22	18	38	16	52.2	49.2	19.0	M14	1/2	UC 208	F208	1.9
UCF 208-25	1 9/16	137	105	22	18	38	16	52.2	49.2	19.0			208-25		
UCF 208	40	130	102	21	16	36	16	51.2	49.2	19.0			208		
UCF 209-26	1 5/8	137	105	22	18	38	16	52.2	49.2	19.0			209-26		
UCF 209-27	1 11/16	137	105	22	18	38	16	52.2	49.2	19.0	M14	1/2	UC 209	F209	2.3
UCF 209-28	1 3/4	137	105	22	18	38	16	52.2	49.2	19.0			209-28		
UCF 209	45	137	105	22	18	38	16	52.2	49.2	19.0			209		
UCF 210-30	1 7/8	143	111	22	18	40	16	54.6	51.6	19.0	M14	1/2	UC 210	F210	2.5
UCF 210-31	1 15/16	143	111	22	18	40	16	54.6	51.6	19.0			210-31		
UCF 210	50	143	111	22	18	40	16	54.6	51.6	19.0			210		
UCF 210-32	2	143	111	22	18	40	16	54.6	51.6	19.0			210-32		
UCF 211-32	2	162	130	25	20	43	19	58.4	55.6	22.2	M16	5/8	UC 211	F211	3.4
UCF 211-34	1 1/8	162	130	25	20	43	19	58.4	55.6	22.2			211-34		
UCF 211	55	162	130	25	20	43	19	58.4	55.6	22.2			211		
UCF 211-35	2 3/16	162	130	25	20	43	19	58.4	55.6	22.2			211-35		
UCF 212-36	2 1/4	175	143	29	20	48	19	68.7	65.1	25.4	M16	5/8	UC 212	F212	4.4
UCF 212	60	175	143	29	20	48	19	68.7	65.1	25.4			212		
UCF 212-38	2 3/8	175	143	29	20	48	19	68.7	65.1	25.4			212-38		
UCF 212-39	2 1/16	175	143	29	20	48	19	68.7	65.1	25.4			212-39		
UCF 213-40	2 1/2	187	149	30	20	50	19	69.7	65.1	25.4	M16	5/8	UC 213	F213	5.3
UCF 213	65	187	149	30	20	50	19	69.7	65.1	25.4			213		
UCF 214-44	2 3/4	193	152	31	24	54	19	75.4	74.6	30.2	M16	5/8	UC 214	F214	6.0
UCF 214	70	193	152	31	24	54	19	75.4	74.6	30.2			214		
UCF 215	75	193	152	31	24	54	19	75.4	74.6	30.2			215		
UCF 215-47	2 15/16	193	152	31	24	54	19	75.4	74.6	30.2	M16	5/8	UC 215	F215	6.6
UCF 215-48	3	193	152	31	24	54	19	75.4	74.6	30.2			215-48		
UCF 216	80	208	165	34	24	58	23	83.3	82.6	33.3	M20	3/4	UC 216	F216	7.5
UCF 216-50	3 1/8	208	165	34	24	58	23	83.3	82.6	33.3			216-50		
UCF 217-52	3 1/4	220	175	36	26	63	23	87.6	85.7	34.1	M20	3/4	UC 217	F217	9.1
UCF 217	85	220	175	36	26	63	23	87.6	85.7	34.1			217		
UCF 218-56	3 1/2	235	187	40	26	68	23	96.3	96.0	39.7	M20	3/4	UC 218	F218	11.3
UCF 218	90	235	187	40	26	68	23	96.3	96.0	39.7			218		

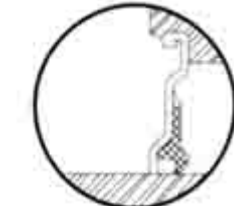
带座轴承代号 Bearing Unit	轴径 Shaft Dia	外形尺寸 (英寸) 或 (毫米) Dimensions (in.) or (mm)										螺栓 Bolt Used	轴承代号 Bearing	座代号 Housing	重量 Weight
No.	d	a	e	i	g	l	s	Z	Bi	n		No.	No.	(kg)	
HCF 201	12	3	2 1/8	19/32	15/32	1	29/64	1 33/64	1.0944	0.5472	M10	3/8	HC 201	F201	0.5
HCF 201-8	1/2	76	54	15	12	25.5	11.5	38.4	27.8	13.9			201-8		
HCF 202	15	3	2 1/8	19/32	15/32	1	29/64	1 33/64	1.0944	0.5472	M10	3/8	HC 202	F202	0.5
HCF 202-10	5/8	76	54	15	12	25.5	11.5	38.4	27.8	13.9			202-10		
HCF 203	17	3	2 1/8	19/32	15/32	1	29/64	1 33/64	1.0944	0.5472	M10	3/8	HC 203	F203	0.5
HCF 203-11	11/16	76	54	15	12	25.5	11.5	38.4	27.8	13.9			203-11		
HCF 204-12	3/4	86	64	15	12	25.5	12	43.7	34.2	17.1	M10	3/8	HC 204	F204	0.63
HCF 204	20	86	64	15	12	25.5	12	43.7	34.2	17.1			204		
HCF 205-14	7/8	86	64	15	12	25.5	12	43.7	34.2	17.1			205-14		
HCF 205-15	15/16	86	64	15	12	25.5	12	43.7	34.2	17.1			205-15		
HCF 205	25	95	70	16	14	27	12	44.3	34.8	17.4	M10	3/8	HC 205	F205	0.80
HCF 205-16	1	95	70	16	14	27	12	44.3	34.8	17.4			205-16		
HCF 206-18	1 1/8	108	83	18	14	31	12	48.4	36.5	18.3	M10	3/8	HC 206	F206	1.2
HCF 206	30	108	83	18	14	31	12	48.4	36.5	18.3			206		
HCF 206-19	1 3/16	108	83	18	14	31	12	48.4	36.5	18.3			206-19		
HCF 206-20	1 1/4	108	83	18	14	31	12	48.4	36.5	18.3			206-20		
HCF 207-20	1 1/4	108	83	18	14	31	12	48.4	36.5	18.3			207-20		
HCF 207-21	1 5/16	137	105	22	18	38	16	51.3	37.6	18.8	M12	7/16	HC 207	F207	1.6
HCF 207-22	1 3/8	137	105	22	18	38	16	51.3	37.6	18.8			207-22		
HCF 207	35	117													



UKF 200  
normal-duty



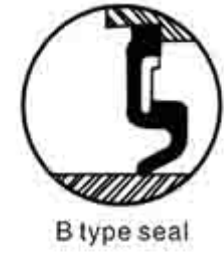
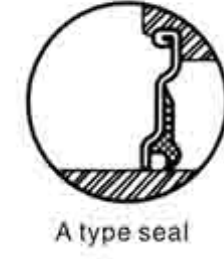
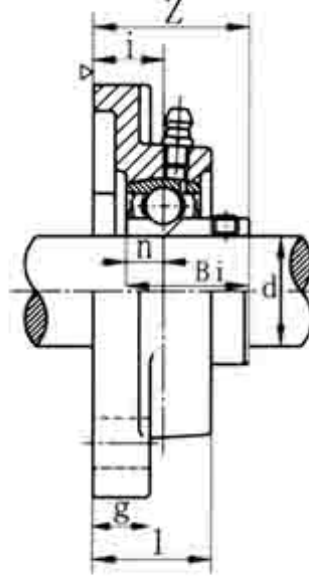
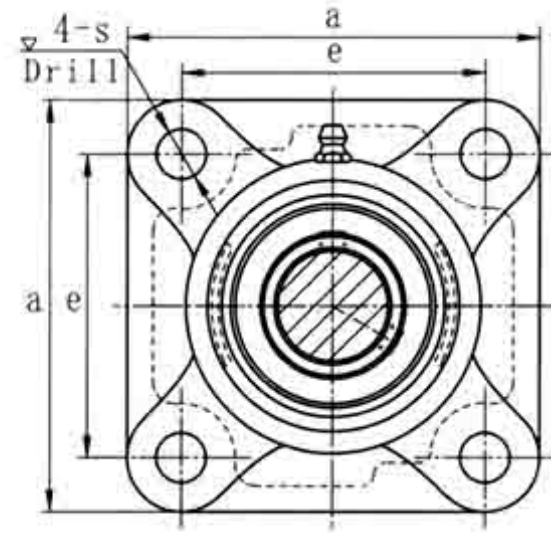
B type seal



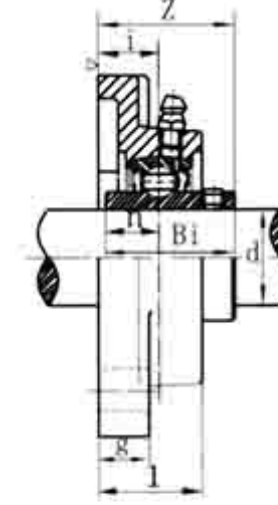
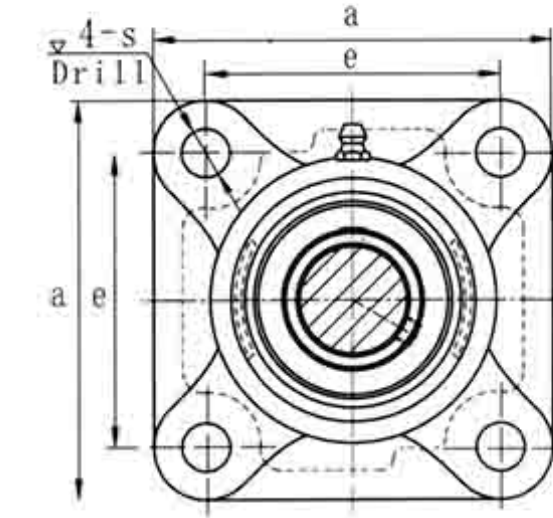
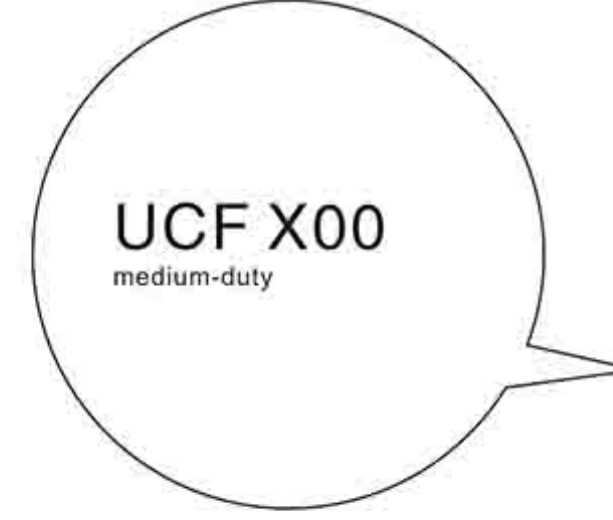
A type seal

带座轴承代号 Bearing Unit	轴径 Shaft Dia	外形尺寸 (英寸) 或 (毫米) Dimensions(in)or(mm)									螺栓 Bolt Used	轴承代号 Bearing	紧定套 Adapter sleeve	座代号 Housing	重量 Weight	
No.	d	e	a	i	g	l	s	Z	S1		No.	No.	No.	(kg)		
	(in.) (mm)										(mm)(in.)					
UKF 205+HE2305	3/4	3 3/4	2 3/4	5/8	9/16	1 1/16	15/32	1 25/64	0.7677	M10	3/8	UK 205	He2305	F205	0.9	
205+H2305	20	95	70	16	14	27	12	35.5	19.5				H2305			
UKF 206+HS2306	7/8												HS2306			
206+HA2306	15/16	4 1/4	3 17/64	45/64	9/16	1 7/32	15/32	1 17/32	0.8268	M10	3/8	UK 206	HE2305	F206	1.20	
206+H2306	25	108	83	18	14	31	12	39	21				H2305			
206+HE2306	1												HE2306			
UKF 207+HS2307	1 1/8												HS2307			
207+H2307	30	4 19/32	3 5/8	3/4	5/8	1 11/32	35/64	1 41/64	0.8858	M12	7/16	UK 207	H2307	F207	1.5	
207+HA2307	1 3/16	117	92	19	16	34	14	41.5	22.5				HA2307			
UKF 208+HE2308	1 1/4												HE2308			
208+HS2308	1 3/8	5 1/8	4 1/64	53/64	5/8	1 13/32	5/8	1 51/64	0.9646	M14	1/2	UK 208	HS2308	F208	2.1	
208+H2308	35	130	102	21	16	36	16	45.5	24.5				H2308			
UKF 209+HA2309	1 7/16												HA2309			
209+HE2309	1 1/2	5 13/32	4 9/64	55/64	23/32	1 1/2	5/8	1 57/64	1.0236	M14	1/2	UK 209	HE2309	F209	2.5	
209+H2309	40	137	105	22	18	38	16	48	26				H2309			
UKF 210+HS2310	1 5/8												HS2310			
210+HA2310	1 11/16	5 5/8	4 3/8	55/64	23/32	1 9/16	5/8	1 61/64	1.0827	M14	1/2	UK 210	HA2310	F210	2.7	
210+H2310	1 3/4	143	111	22	18	40	16	49.5	27.5				HE2310			
210+H2310	45												H2310			
UKF 211+HS2311	1 7/8												HS2311			
211+HA2311	1 15/16	6 3/8	5 1/8	63/64	25/32	1 11/16	3/4	2 7/64	1.1221	M16	5/8	UK 211	HA2311	F211	3.6	
211+H2311	50	162	130	25	20	43	19	53.5	28.5				H2311			
211+HE2311	2												HS2311			
UKF 212+HS2312	2 1/8												HS2312			
212+H2312	55	175	143	29	20	48	19	60	31				H2312	F212	4.6	
UKF 213+HA2313	2 3/16												HA2313			
213+HE2313	2 1/4	7 3/8	5 55/64	1 3/16	25/32	1 31/32	3/4	2 31/64	1.2992	M16	5/8	UK 213	HE2313	F213	5.7	
213+H2313	60	187	149	30	20	50	19	63	33				H2313			
213+HS2313	2 3/8												HS2313			
UKF 215+HA2315	2 1/16												HA2315			
215+HE2315	2 1/2	7 7/8	6 17/64	1 11/32	15/16	2 13/64	3/4	2 47/64	1.3976	M16	5/8	UK 215	HE2315	F215	7.3	
215+H2315	65	200	159	34	24	56	19	69.5	35.5				H2315			
UKF 216+HA2316	2 11/16												HA2316			
216+HE2316	2 3/4	8 3/16	6 1/2	1 11/32	15/16	2 9/32	29/32	2 7/8	1.5354	M20	3/4	UK 216	HE2316	F216	8.2	
216+H2316	70	208	165	34	24	58	23	73	39				H2316			
UKF 217+HA2317	2 15/16												HA2317			
217+H2317	75	8 21/32	6 57/64	1 27/64	1 1/32	2 15/32	29/32	3 1/32	1.6142	M20	3/4	UK 217	H2317	F217	9.8	
217+HE2317	3	220	175	36	26	63	23	77	41				HE2317			
UKF 218+H2318													H2318	F218	11.7	
		80	9 1/4	7 23/64	1 37/64	1 1/32	2 43/64	29/32	3 15/64	1.6535	M20	3/4	UK 218	H2318	F218	11.7
		235	187	40	26	68	23	82	42							

带座轴承代号 Bearing Unit	轴径 Shaft Dia	外形尺寸 (英寸) 或 (毫米) Dimensions(in)or(mm)											螺栓 Bolt Used	轴承代号 Bearing	座代号 Housing	重量 Weight
No.	d	a	e	i	g	l	s	Z	Bi	n		No.	No.	(kg)		
	(in.) (mm)												(mm)(in.)			
SAF 201	12	3	2 1/8	19/32	15/32	1	29/64	1 31/64	1.1260	0.2362	M10	3/8	SA 201	F201	0.43	
201-8	1/2	76	54	15	12	25.5	11.5	37.6	28.6	6.0			201-8			
SAF 202	15	3	2 1/8	19/32	15/32	1	29/64	1 31/64	1.1260	0.2362	M10	3/8	SA 202	F202	0.42	
202-10	5/8	76	54	15	12	25.5	11.5	37.6	28.6	6.0			202-10			
SAF 203	17	3	2 1/8	19/32	15/32	1	29/64	1 31/64	1.1260	0.2362	M10	3/8	SA 203	F203	0.42	
203-11	1 1/16	76	54	15	12	25.5	11.5	37.6	28.6	6.0			203-11			
SAF 204-12	3/4	3 3/8	2 33/64	19/32	15/32	1	15/32	1 17/32	1.2205	0.2756	M10	3/8	SA 204-12	F204	0.55	
204	20	86	64	15	12	25.5	12	39	31.0	7.0			204		0.58	
SAF 205-14	7/8												SA 205-14		0.74	
205-15	1 5/16	3 3/4	2 3/4	5/8	9/16	1 1/16	15/32	1 9/16	1.2205	0.2953	M10	3/8	205-15	F205	0.73	
205	25	95	70	16	14	27	12	39.5	31	7.5			205		0.71	
205-16	1												205-16		0.70	
SAF 206-18	1 1/8												SA 206-18		1.08	
206	30	4 1/4	3 17/64	45/64	9/16	1 7/32	15/32	1 51/64	1.4055	0.3150	M10	3/8	206	F206	1.06	
206-19	1 3/16	108	83	18	14	31	12	45.7	35.7	8.0			206-19		1.04	
206-20	1 1/4												206-20		1.01	
SAF 207-20	1 1/4												SA 207-20		1.46	
207-21	1 5/16	4 19/32	3 5/8	3/4	5/8	1 11/32	35/64	1 15/16	1.5315	0.3346			207-21		1.43	
207-22	1 3/8										M12	7/16	207-22	F207	1.41	
207	35	117	92	19	16	34	14	49.4	38.9	8.5			207		1.40	
207-23	1 7/16												207-23		1.38	
SAF 208-24	1 1/2												SA 208-24		1.80	
208-25	1 9/16	5 1/8	4 1/64	53/64	5/8	1 13/32	5/8	2 13/64	1.7205	0.3543	M14	1/2	208-25	F208	1.79	
208	40	130	102	21	16	36	16	55.7	43.7	9.0			208		1.77	
SAF 209-26	1 5/8												SA 209-26		2.20	
209-27	1 11/16	5 13/32	4 9/64	55/64	23/32	1 1/2	5/8	2 7/32	1.7205	0.3740			209-27		2.14	
209-28	1 3/4	137	105	22	18	38	16	56.2	43.7	9.5	M14	1/2	209-28	F209	2.11	
209	45												209		2.07	
SAF 210-30	1 7/8												SA 210-30		2.45	
210-31	1 15/16	5 5/8	4 3/8	55/64	23/32	1 9/16	5/8	2 13/64	1.7205	0.3937	M14	1/2	210-31	F210	2.43	
210	50	143	111	22	18	40	16	55.7	43.7	10			210		2.40	
210-32	2												210-32		2.38	
SAF 211-32	2												SA 211-32		3.18	
211-34	2 1/8	6 3/8	5 1/8	63/64	25/32	1 11/16	3/4	2 27/64	1.9055	0.4724	M16	5/8	211-34	F211	2.96	
211	55	162	130	25	20	43	19	61.4	48.4	12			211		2.87	
211-35	2 3/16												211-35		2.81	
SAF 212-36	2 1/4												SA 212-36		3.97	
212	60	6 7/8	5 5/8	1 9/64	25/32	1 7/8	3/4	2 49/64	2.0905	0.4724	M16</					



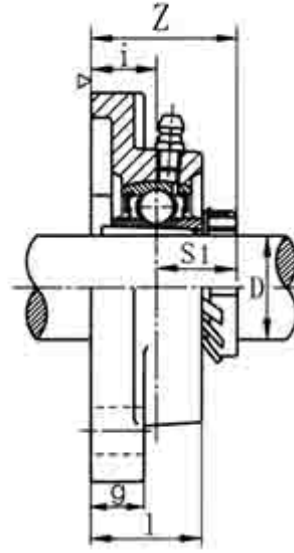
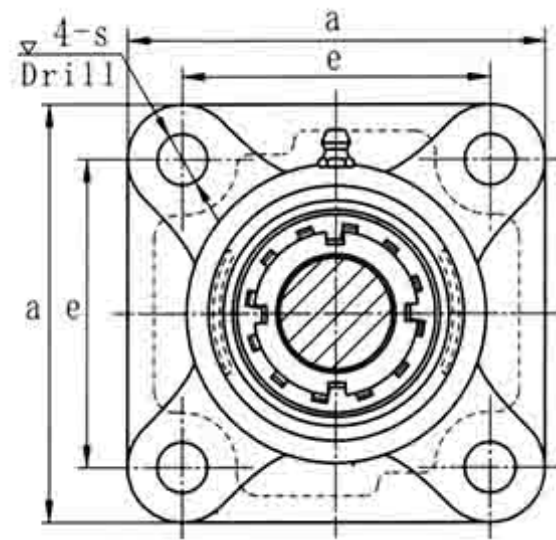
SBF 200  
normal-duty



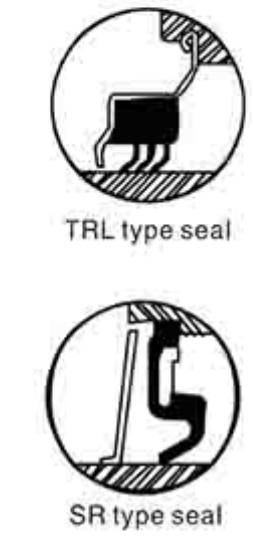
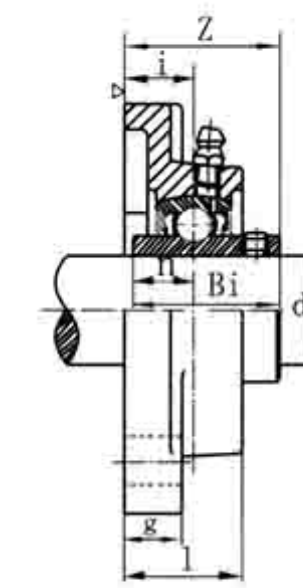
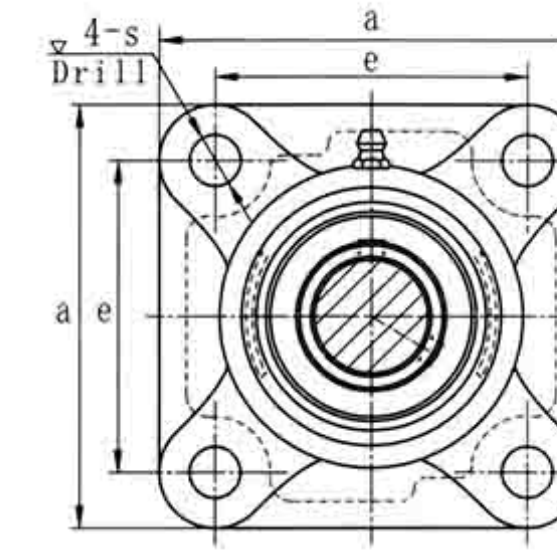
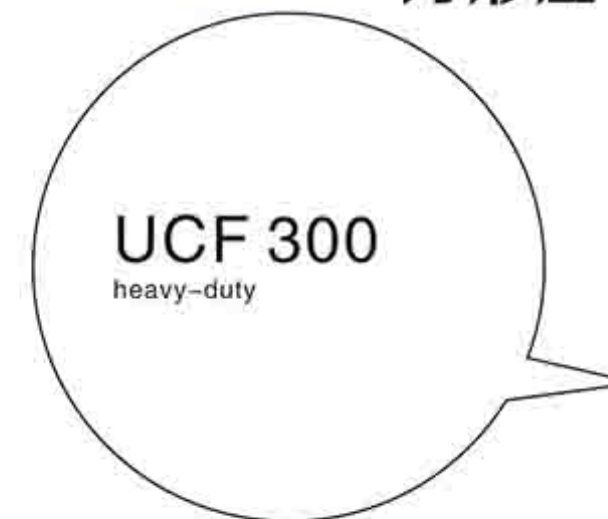
UCF X00  
medium-duty

带座轴承代号 Bearing Unit	轴径 Shaft Dia	外形尺寸 (英寸) 或 (毫米) Dimensions(in)or(mm)										螺栓 Bolt Used	轴承代号 Bearing	座代号 Housing	重量 Weight
(No.)	d	a	e	i	g	l	S	Z	Bi	n	(mm)(in.)	(No.)	(No.)	(kg)	
SBF 201	12	3	2 1/8	19/32	15/32	1	29/64	17/32	0.8661	0.2362	(mm)(in.)	M10 3/8	SB 201	F201	0.39
201-8	1 1/2	76	54	15	12	25.5	11.5	31	22	6.0			201-8		
SBF 202	15	3	2 1/8	19/32	15/32	1	29/64	17/32	0.8661	0.2362		M10 3/8	SB 202	F202	0.38
202-10	5/8	76	54	15	12	25.5	11.5	31	22	6.0			202-10		
SBF 203	17	3	2 1/8	19/32	15/32	1	29/64	13 1/4	0.8661	0.2362		M10 3/8	SB 203	F203	0.38
203-11	1 1/16	76	54	15	12	25.5	11.5	37.6	28.6	6.0			203-11		
SBF 204-12	3/4	3 3/8	2 3/8	19/32	15/32	1	15/32	1 19/64	0.9843	0.2756		M10 3/8	SB 204-12	F204	0.52
204	20	86	64	15	12	25.5	12	33	25	7.0			204		0.56
SBF 205-14	7/8												SB 205-14		0.71
205-15	1 5/16	3 3/4	2 3/4	5/8	9/16	1 1/16	15/32	1 25/64	1.0630	0.2953		M10 3/8	205-15	F205	0.71
205	25	95	70	16	14	27	12	35.5	27	7.5			205		0.70
205-16	1												205-16		0.68
SBF 206-18	1 1/8												SB 206-18		1.00
206	30	4 1/4	3 17/64	45/64	9/16	1 7/32	15/32	1 37/64	1.1811	0.3150		M10 3/8	206	F206	0.98
206-19	1 3/16	108	83	18	14	31	12	40	30	8.0			206-19		0.97
206-20	1 1/4												206-20		0.96
SBF 207-20	1 1/4												SB 207-20		1.33
207-21	1 5/16	4 19/32	3 5/8	3/4	5/8	1 11/32	35/64	1 43/64	1.2598	0.3346			207-21		1.31
207-22	1 3/8											M12 7/16	207-22	F207	1.28
207	35	117	92	19	16	34	14	42.5	32	8.5			207		1.32
207-23	1 7/16												207-23		1.27
SBF 208-24	1 1/2												SB 208-24		1.72
208-25	1 9/16	5 1/8	4 1/64	53/64	5/8	1 13/32	5/8	1 13/16	1.3386	0.3543		M14 1/2	208-25	F208	1.70
208	40	130	102	21	16	36	16	46	34	9.0			208		1.72
SBF 209-26	1 5/8												SB 209-26		
209-27	1 11/16	5 13/32	4 9/64	55/64	23/32	1 1/2	5/8	2 7/64	1.6220	0.3740		M14 1/2	209-27	F209	2.27
209-28	1 3/4	137	105	22	18	38	16	53.7	41.2	9.5			209-28		
209	45												209		
SBF 210-30	1 7/8												SB 210-30		
210-31	1 15/16	5 5/8	4 3/8	55/64	23/32	1 9/16	5/8	2 7/64	1.6378	0.3937		M14 1/2	210-31	F210	2.38
210	50	143	111	22	18	40	16	53.6	41.6	10.0			210		
210-32	2												210-32		
SBF 211-32	2												SB 211-32		
211-34	1 1/8	6 3/8	5 1/8	63/64	25/32	1 11/16	3/4	2 19/64	1.7835	0.4646		M16 5/8	211-34	F211	3.44
211	55	162	130	25	20	43	19	58.5	45.3	11.8			211		
211-35	2 3/16												211-35		
SBF 212-36	2 1/4												SB 212-36		
212	60	6 7/8	5 5/8	1 9/64	25/32	1 7/8	3/4	2 43/64	2.1142	0.5866		M16 5/8	212	F212	3.96
212-38	2 3/8	175	143	29	20	48	19	67.8	53.7	14.9			212-38		
212-39	2 7/16												212-39		

带座轴承代号 Bearing Unit	轴径 Shaft Dia	外形尺寸 (英寸) 或 (毫米) Dimensions(in)or(mm)										螺栓 Bolt Used	轴承代号 Bearing	座代号 Housing	重量 Weight
(No.)	d	a	e	i	g	l	S	Z	Bi	n	(mm)(in.)	(No.)	(No.)	(kg)	
UCF X05	25	4 1/4	3 17/64	45/64	1/2	1 3/16	15/32	1 19/32	1.5000	0.6260	(mm)(in.)	M10 3/8	UC X05	FX05	1.1
X05-16	1	108	83	18	13	30	12	40.2	38.1	15.9			X05-16		
UCF X06	30	4 19/32	3 5/8	3/4	9/16	1 11/32	5/8	1 3/4	1.6890	0.6890		M14 1/2	UC X06	FX06	1.4
X06-19	1 3/16	117	92	19	14	34	16	44.4	42.9	17.5			X06-19		
X06-20	1 1/4												X06-20		
UCF X07-20	1 1/4												UC X07-20		
X07-22	1 3/8	5 1/8	4 1/64	53/64	9/16	1 1/2	5/8	2 1/32	1.9370	0.7480		M14 1/2	X07-22	FX07	1.9
X07	35	130	102	21	14	38	16	51.2	49.2	19.0			X07		
X07-23	1 7/16												X07-23		
UCF X08-24	1 1/2	5 13/32	4 9/64	55/64	9/16	1 9/16	3/4	2 1/16	1.9370	0.7480		M16 5/8	UC X08-24	FX08	2.1
X08	40	137	105	22	14	40	19	52.2	49.2	19.0			X08		
UCF X09-26	1 5/8												UC X09-26		
X09-27	1 11/16	5 5/8	4 3/8	29/32	9/16	1 9/16	3/4	2 3/16	2.0315	0.7480		M16 5/8	X09-27	FX09	2.5
X09-28	1 3/4	143	111	23	14	40	19	55.6	51.6	19.0			X09-28		
X09	45												X09		
UCF X10-30	1 7/8												UC X10-30		
X10-31	1 15/16	6 3/8	5 1/8	1 1/32	25/32	1 23/32	3/4	2 11/32	2.1890	0.8740		M16 5/8	UC X10-31	FX10	3.6
X10	50	162	130	26	20	44	19	59.4	55.6	22.2			X10		
X10-32	2												X10-32		
UCF X11	55												UC X11		
X11-34	2 1/8	6 7/8	5 5/8	1 9/64	25/32	1 15/16	3/4	2 23/32	2.5630	1.0000		M16 5/8	X11-34	FX11	4.7
X11-35	2 3/16	175	143	29	20	49	19	68.7	65.1	25.4			X11-35		
X11-36	2 1/4												X11-36		
UCF X12-36	2 1/4												X12-36		
X12	60	7 3/8	5 55/64	1 11/32	13/16	2 5/16	3/4	2 29/32	2.5630	1.0000		M16 5/8	UC X12	FX12	5.5
X12-38	2 3/8	187	149	34	21	59	19	73.7	65.1	25.4			X12-38		
X12-39	2 7/16												X12-39		
UCF X13-40	2 1/2	7 3/8	5 55/64	1 11/32	13/16	2 5/16	3/4	3 3/32	2.9370	1.1890		M16 5/8	UC X13-40	FX13	5.9
X13	65	187	149	34	21	59	19	78.8	74.6	30.2			X13		
UCF X14-44	2 3/4	7 3/4	5 63/64	1 29/64	15/16	2 3/8	29/32	3 7/32	3.0630	1.3110		M20 3/4	UC X14-44	FX14	7.3
X14	70	197	152	37	24	60	23	81.5	77.8	33.3			X14		
UCF X15	75												UC X15		
X15-47	2 15/16	7 3/4	5 63/64	1 37/64	15/16	2 11/16	29/32	3 17/32	3.2520	1.3110		M20 3/4	X15-47	FX15	8.0
X15-48	3	197	152	40	24	68	23	89.3	82.6	33.3			X15-48		
UCF X16	80	8 7/16	6 47/64	1 37/64	15/16	2 3/4	29/32	3 19/32	3.3740	1.3425		M20 3/4	UC X16	FX16	9.8
X16-50	3 1/8	214	171	40	24	70	23	91.6	85.7	34.1			X16-50		
UCF X17	85	8 7/16	6 47/64	1 37/64	15/16	2 3/4	29/32	3 25/32	3.7795	1.5630		M20 3/4	UC X17	FX17	10.5
X17-52	3 1/4	214	171	40	24	70	23	96.3	96.0	39.7			X17-52		
UCF X18-56	3 1/2	8 7/16	6 47/64	1 49/64	15/16	3	29/32	4 3/16	4.0945	1.6890		M20 3/4	UC X18-56	FX18	11.2

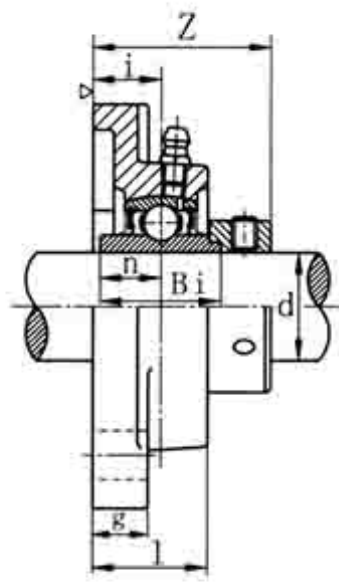
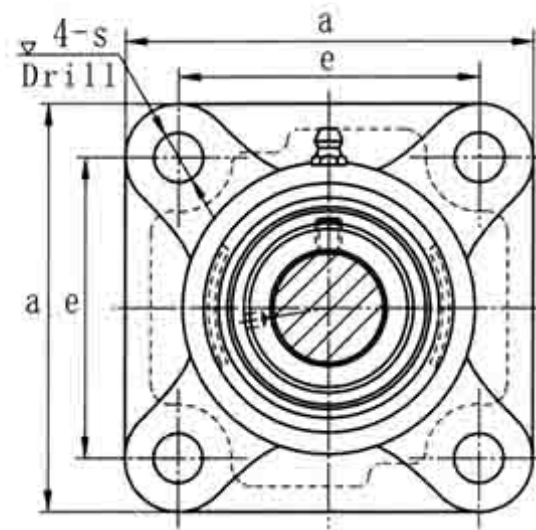


UKF X00  
medium-duty

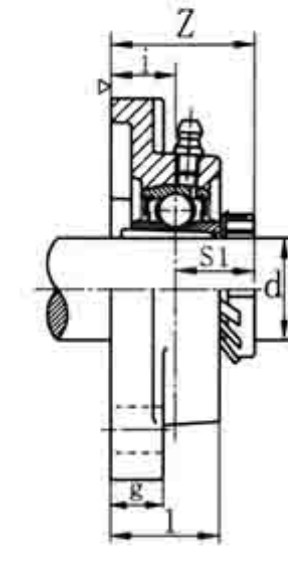
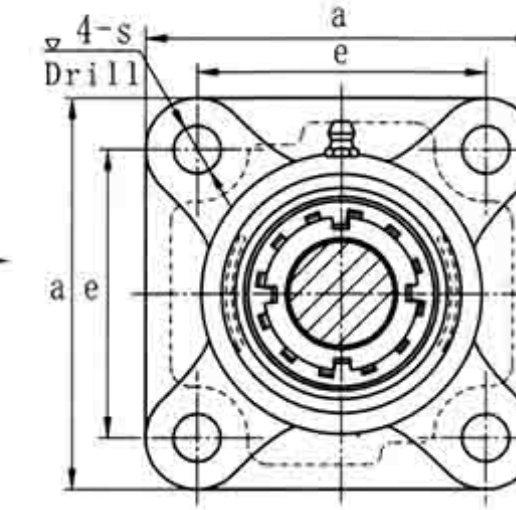


带座轴承代号 Bearing Unit	轴径 Shaft Dia	外形尺寸(英寸)或(毫米) Dimensions(in)or(mm)								螺栓 Bolt Used	轴承代号 Bearing	紧定套 Adapter Sleeve	座代号 Housing	重量 Weight	
No.	d	a	e	i	g	l	S	Z	S1	No.	No.	No.	(kg)		
(in.) (mm)										(mm) (in.)		(kg)			
UKF X05+HE2305 X05+H2305	3/4 20	4 1/4 108	17/64 83	45/64 18	1/2 13	3/16 30	15/32 12	17/32 39	0.8268 21	M10	3/8	UK X05	HE2305 H2305	FX05	1.1
UKF X06+HS2306 X06+HA2306 X06+H2306 X06+HE2306	7/8 15/16 25	4 9/32 117	3 5/8 92	3/4 19	9/16 14	1 1/32 34	5/8 16	1 9/32 40.5	0.8465 21.5	M14	1/2	UK X06	HS2306 HA2306 H2306 HE2306	FX06	1.4
UKF X07+HS2307 X07+H2307 X07+HA2307	1 1/8 30 3 1/16	5 1/8 130	4 1/64 102	53/64 21	9/16 14	1 1/2 38	5/8 16	1 3/4 44.5	0.9252 23.5	M14	1/2	UK X07	HS2307 H2307 HA2307	FX07	1.8
UKF X08+HE2308 X08+HS2308 X08+H2308	1 1/4 35 1 3/8	5 3/32 137	4 9/64 105	53/64 22	9/16 14	1 9/16 40	3/4 19	1 27/32 47	0.9843 25	M16	5/8	UK X08	HE2308 HS2308 H2308	FX08	1.8
UKF X09+HA2309 X09+H2309 X09+H2309	1 7/16 40 1 1/2	5 5/8 143	4 3/8 111	29/32 23	9/16 14	1 9/16 40	3/4 19	1 61/64 49.5	1.0433 26.5	M16	5/8	UK X09	HA2309 HS2309 H2309	FX09	2.4
UKF X10+HS2310 X10+HA2310 X10+H2310 X10+HE2310	1 5/8 45 1 11/16 1 3/4	6 3/8 162	5 1/8 130	1 1/32 26	25/32 20	1 23/32 44	3/4 19	2 9/64 54.5	1.1220 28.5	M16	5/8	UK X10	HS2310 HA2310 HE2310 H2310	FX10	3.6
UKF X11+HS2311 X11+HA2311 X11+H2311 X11+HE2311	1 7/8 50 1 15/16 2	7 7/8 175	5 5/8 143	1 9/64 29	25/32 20	1 15/16 49	3/4 19	2 21/64 59	1.1811 30	M16	5/8	UK X11	HS2311 HA2311 H2311 HE2311	FX11	4.3
UKF X12+HS2312 X12+H2312	2 1/8 55	7 3/8 187	5 55/64 149	1 11/32 34	53/64 21	2 21/64 59	3/4 19	2 19/32 66	1.2598 32	M16	5/8	UK X12	HS2312 H2312	FX12	5.3
UKF X13+HA2313 X13+HE2313 X13+H2313 X13+HS2313	2 3/16 60 2 1/4 2 3/8	7 3/8 187	5 55/64 149	1 11/32 34	53/64 21	2 21/64 59	3/4 19	2 43/64 68	1.3386 34	M16	5/8	UK X13	HA2313 HE2313 H2313 HS2313	FX13	5.2
UKF X15+HA2315 X15+HE2315 X15+H2315	2 7/16 65 2 1/2	7 3/4 197	5 63/64 152	1 37/64 40	15/16 24	2 11/16 68	29/32 23	3 1/32 77	1.4567 37	M20	3/4	UK X15	HA2315 HE2315 H2315	FX15	7.7
UKF X16+HA2316 X16+HE2316 X16+H2316	2 11/16 70 2 3/4	8 7/16 214	6 47/64 171	1 37/64 40	15/16 24	2 3/4 70	29/32 23	3 5/32 80	1.5748 40	M20	3/4	UK X16	HA2316 HE2316 H2316	FX16	10.2
UKF X17+HA2317 X17+H2317 X17+HE2317	2 5/16 75 3	8 7/16 214	6 47/64 171	1 37/64 40	15/16 24	2 3/4 70	29/32 23	3 1/4 82.5	1.6732 42.5	M20	3/4	UK X17	HA2317 H2317 HE2317	FX17	10.1
UKF X18+H2318	80	8 7/16 214	6 47/64 171	1 49/64 45	15/16 24	3 76	29/32 23	3 1/2 89	1.7322 44	M20	3/4	UK X18	H2318	FX18	10.2
UKF X20+H2320	90	10 3/16 268	8 5/16 211	2 21/64 59	1 7/32 31	3 13/16 97	1 7/32 31	4 1/4 108	1.9291 49	M27	1	UK X20	H2320	FX20	15.9

带座轴承代号 Bearing Unit	轴径 Shaft Dia	外形尺寸(英寸)或(毫米) Dimensions(in)or(mm)										螺栓 Bolt Used	轴承代号 Bearing	座代号 Housing	重量 Weight
No.	d	a	e	i	g	l	S	Z	Bi	n	No.	No.	(kg)		
(in.) (mm)										(mm) (in.)		(kg)			
UCF 305 305-16	1 25	4 11/32 110	3 5/32 80	5/8 16	1/2 13	1 5/32 29	5/8 16	1 7/32 39	1.4961 38	0.5906 15	M14	1/2	UC 305 305-16	F305	1.2
UCF 306-18 306 306-19	1 1/8 30 1 3/16	4 7/32 125	3 47/64 95	45/64 18	19/32 15	1 1/4 32	5/8 16	1 23/32 44	1.6929 43	0.6693 17	M14	1/2	UC 306-18 306 306-19	F306	1.8
UCF 307-20 307-22 307 307-23	1 1/4 35 1 3/8 1 7/16	5 1/16 135	3 15/16 100	25/32 20	5/8 16	1 13/32 36	3/4 19	1 15/16 49	1.8897 48	0.748 19	M16	5/8	UC 307-20 307-22 307 307-23	F307	2.2
UCF 308-24 308	1 1/2 40	5 29/32 150	4 13/32 112	29/32 23	21/32 17	9/16 40	3/4 19	2 7/32 56	2.0472 52	0.748 19	M16	5/8	UC 308-24 308	F308	3.0
UCF 309-28 309	1 3/4 45	6 5/16 160	4 59/64 125	63/64 25	23/32 18	1 23/32 44	3/4 19	2 3/8 60	2.2441 57	0.8661 22	M16	5/8	UC 309-28 309	F309	3.8
UCF 310-31 310 310-32	1 15/16 50 2	6 7/8 175	5 13/64 132	7/64 28	3/4 19	1 7/8 48	29/32 23	1 5/8 67	2.4015 61	0.8661 22	M20	3/4	UC 310-31 310 310-32	F310	4.9
UCF 311-32 311	2 55	7 9/32 185	5 33/64 140	1 3/16 30	25/32 20	2 1/16 52	29/32 23	2 25/32 71	2.5984 66	0.9842 25	M20	3/4	UC 311-32 311	F311	5.6
UCF 312 312-36	2 1/4 60	7 11/16 195	5 29/32 150	1 19/64 33	7/8 22	2 7/32 56	29/32 23	3 1/16 78	2.7953 71	1.0236 26	M20	3/4	UC 312 312-36	F312	6.8
UCF 313-40 313	2 1/2 65	8 1/16 208	6 17/32 166	1 19/64 33	7/8 22	2 9/32 58	29/32 23	3 1/16 78	2.9528 75	1.1881 30	M20	3/4	UC 313-40 313	F313	7.8
UCF 314-44 314	2 3/4 70	8 29/32 226	7 1/64 178	1 27/64 36	25 61	2 13/32 61	63/64 25	3 1/8 81	3.0709 78	1.2992 33	M22	7/8	UC 314-44 314	F314	9.8
UCF 315 315-47 315-48	75 2 5/16 3	9 3/32 236	7 1/4 184	1 17/32 39	1 25	2 19/32 66	63/64 25	3 1/2 89	3.2283 82	1.2598 32	M22	7/8	UC 315 315-47 315-48	F315	11.6
UCF 316 316-50	80 3 1/8	9 27/32 250	7 23/32 196	1 1/2 38	1 1/16 27	2 11/16 68	1 7/32 31	3 17/32 90	3.3858 86	1.3386 34	M27	1	UC 316 316-50	F316	13.2
UCF 317	85	10 1/4 260	8 1/32 204	1 47/64 44	1 1/16 27	2 29/32 74	1 7/32 31	3 15/16 100	3.7795 96	1.5748 40	M27	1	UC 317	F317	15.2
UCF 318-56 318	3 1/2 90	11 3/32 280	8 1/2 216	1 47/64 44	1 3/16 30	3 76	3 1/8 35	3 15/16 100	3.7795 96	1.5748 40	M30	1 1/8	UC 318-56 318	F318	18.8
UCF 319	95	11 13/32 290	8 31/32 228	1 21/64 59	1 3/16 30	3 11/16 94	3 1/8 35	4 3/4 121	4.0551 103	1.6142 41	M30	1 1/8	UC 319	F319	21.1
UCF 320 320-64	100 4	12 7/32 310	9 17/32 242	2 21/64 59	1 1/4 32	3 11/16 94	1 1/2 38	4 29/32 125	4.2519 108	1.6535 42	M33	1 1/4	UC 320 320-64	F320	25.3
UCF 322	110	13 3/8 340	10 15/32 266	2 23/64 60	3 1/8 35	3 25/32 96	3 39/64 41	5 5/32 131	4.6063 117	1.811 46	M36	1 3/8	UC 322	F322	35.0
UCF 324	120	14 9/16 370	11 27/64 290	2 9/16 65	1 9/16 40	4 11/32 110	3 39/64 41	5 1/2 140	4.9606 126	2.0079 51	M36	1 3/8	UC 324	F324	47.2
UCF 326	130	16 5/32 410	12 19/32 320	2 9/16 65	1 25/32 45	4 17/32 115	3 39/64 41	5 3/4 146	5.3150 135	2.1260 54	M36	1 3/8	UC 326	F326	64.1
UCF 328	140	17 23/32 450	13 25/32 350	2 61/64 75	1 5/32 55	4 29/32 125	3 39/64 41	6 11/32 161	5.7086 145	2.3228 59	M36	1 3/8	UC 328	F328	90.2

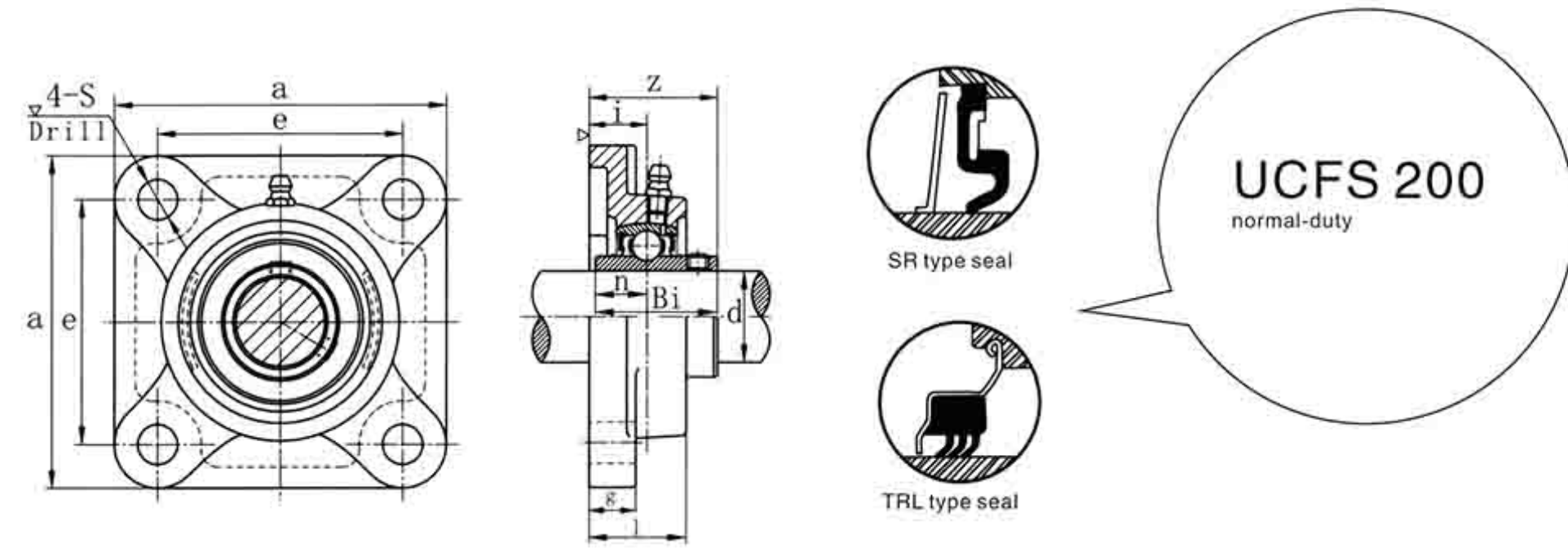


HCF 300  
heavy-duty

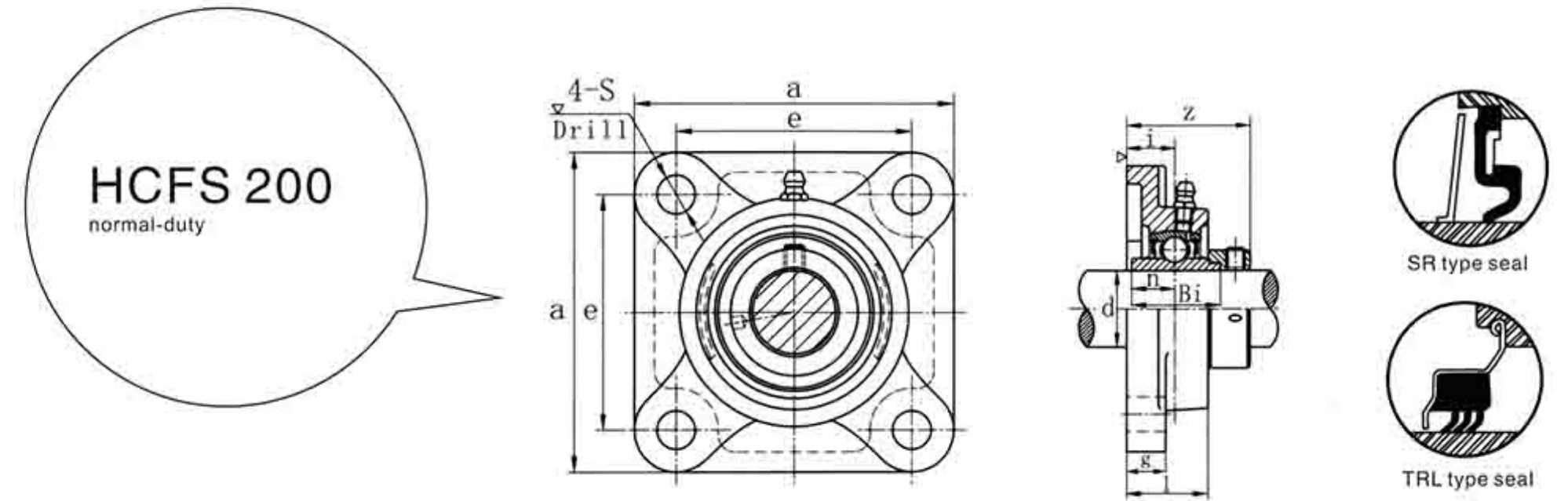


带座轴承代号 Bearing Unit	轴径 Shaft Dia	外形尺寸 (英寸) 或 (毫米) Dimensions(in/or)(mm)										螺栓 Bolt Used	轴承代号 Bearing	座代号 Housing	重量 Weight
No.	d	a	e	i	g	l	S	Z	Bi	n		No.	No.		
	(in.) (mm)	(mm) (in.)										(mm) (in.)			(kg)
HCF 305 305-16	25	4 11/32	5 5/32	5/8	1/2	1 5/32	5/8	1 3/16	1.3740	0.6562	M14	1/2	HC 305	F305	1.2
HCF 306-18 306	30	4 7/32	4 7/64	45/64	19/32	1 1/4	5/8	1 63/64	1.4370	0.689	M14	1/2	HC 306-18 306	F306	1.7
HCF 306-19 306-19	30	4 7/32	4 7/64	45/64	19/32	1 1/4	5/8	1 63/64	1.4370	0.689	M14	1/2	HC 306-18 306	F306	1.7
HCF 307-20 307-22 307	35	5 5/16	3 15/16	25/32	5/8	1 13/32	3/4	2 3/32	1.5000	0.7205	M16	5/8	HC 307-20 307-22 307	F307	2.0
HCF 307-23 307-23	35	5 5/16	3 15/16	25/32	5/8	1 13/32	3/4	2 3/32	1.5000	0.7205	M16	5/8	HC 307-20 307-22 307	F307	2.0
HCF 308-24 308	40	5 29/32	4 13/32	29/32	21/32	9/16	3/4	2 3/8	1.6260	0.7795	M16	5/8	HC 308-24 308	F308	2.8
HCF 309-28 309	45	6 5/16	4 59/64	63/64	23/32	2 23/32	3/4	2 33/64	1.6890	0.7795	M16	5/8	HC 309-28 309	F309	3.6
HCF 310-31 310	50	6 7/8	5 13/64	7/64	3/4	2 7/8	29/32	2 3/4	1.9370	0.9685	M20	3/4	HC 310-31 310	F310	4.7
HCF 310-32 310-32	50	6 7/8	5 13/64	7/64	3/4	2 7/8	29/32	2 3/4	1.9370	0.9685	M20	3/4	HC 310-31 310	F310	4.7
HCF 311-32 311	55	7 9/32	5 33/64	3/16	25/32	2 1/16	29/32	2 61/64	2.1890	1.0945	M20	3/4	HC 311-32 311	F311	5.7
HCF 312 312-36	60	7 11/16	5 29/32	1 19/64	7/8	2 7/32	29/32	3 13/64	2.4370	1.2185	M20	3/4	HC 312 312-36	F312	6.8
HCF 313-40 313	65	8 3/16	6 17/32	1 19/64	7/8	2 9/32	29/32	3 25/64	2.5630	1.2795	M20	3/4	HC 313-40 313	F313	8.3
HCF 314-44 314	70	8 29/32	7 1/64	1 27/64	1	2 13/32	63/64	4 5/64	2.6890	1.3345	M22	7/8	HC 314-44 314	F314	10.7
HCF 315 315-47 315-48	75	9 9/32	7 1/4	1 17/32	1	2 19/32	63/64	4	2.9370	1.4685	M22	7/8	HC 315 315-47 315-48	F315	12.24
HCF 316 316-50	80	9 27/32	7 23/32	1 1/2	1 1/16	2 11/16	7/32	4 3/32	3.1890	1.5945	M27	1	HC 316 316-50	F316	16
HCF 317	85	10 1/4	8 1/32	1 47/64	1 1/16	2 29/32	7/32	4 25/64	3.3110	1.6535	M27	1	HC 317	F317	17
HCF 318-56 318	90	11 1/32	8 1/2	1 47/64	3/16	3	3/8	4 37/64	3.4370	1.7165	M30	1/8	HC 318-56 318	F318	21
HCF 319	95	11 13/32	8 31/32	2 21/64	3/16	3 11/16	3/8	5 19/64	3.6890	1.8425	M30	1/8	HC 319	F319	23
HCF 320 320-64	100	12 7/32	9 17/32	2 21/64	1 1/4	3 11/16	1/2	5 27/64	3.9370	1.9685	M33	1/4	HC 320 320-64	F320	28

带座轴承代号 Bearing Unit	轴径 Shaft Dia	外形尺寸 (英寸) 或 (毫米) Dimensions(in/or)(mm)										螺栓 Bolt Used	轴承代号 Bearing	紧定套 Adapter Sleeve	座代号 Housing	重量 Weight
No.	d	a	e	i	g	l	S	Z	Si		No.	No.	No.			
	(in.) (mm)	(mm) (in.)										(mm) (in.)			(kg)	
UKF 305+HE2305 305+H2305	20	4 11/32	3 5/32	5/8	1/2	1 5/32	5/8	1 15/32	0.8464	0.8464	M14	1/2	UK 305	HE2305 H2305	F305	1.2
UKF 306+HS2306 306+HA2306 306+H2306 306+HE2306	25	4 7/32	3 7/64	45/64	19/32	1 1/4	5/8	1 39/64	0.9055	0.9055	M14	1/2	UK 306	HS2306 HA2306 H2306 HE2306	F306	1.8
UKF 307+HS2307 307+H2307 307+HA2307	30	5 5/16	3 15/16	25/32	5/8	1 13/32	3/4	2 1/64	1.0039	25.5	M16	5/8	UK 307	HS2307 H2307 HA2307	F307	2.2
UKF 308+HE2308 308+HS2308 308+H2308	35	5 29/32	4 13/32	29/32	21/32	9/16	3/4	2 63/64	1.0827	27.5	M16	5/8	UK 308	HE2308 HS2308 H2308	F308	3.0
UKF 309+HA2309 309+HE2309 309+H2309	40	6 5/16	4 59/64	63/64	23/32	2 23/32	3/4	2 11/64	1.1811	30	M16	5/8	UK 309	HA2309 HE2309 H2309	F309	3.8
UKF 310+HS2310 310+HA2310 310+H2310 310+H2310	45	6 7/8	5 13/64	7/64	3/4	2 7/8	29/32	2 23/64	1.2598	32	M20	3/4	UK 310	HS2310 HA2310 HE2310 H2310	F310	4.9
UKF 311+HS2311 311+HA2311 311+H2311 311+HE2311	50	7 9/32	5 33/64	3/16	25/32	2 1/16	29/32	2 1/2	1.3189	33.5	M20	3/4	UK 311	HS2311 HA2311 H2311 HE2311	F311	5.6
UKF 312+HS2312 312+H2312	55	7 11/16	5 29/32	1 19/64	7/8	2 7/32	29/32	2 47/64	1.4370	36.5	M20	3/4	UK 312	HS2312 H2312	F312	6.8
UKF 313+HA2313 313+HE2313 313+H2313 313+HS2313	60	8 3/16	6 17/32	1 19/64	7/8	2 9/32	29/32	2 13/16	1.5157	38.5	M20	3/4	UK 313	HA2313 HE2313 H2313 HS2313	F313	7.8
UKF 315+HA2315 315+HE2315 315+H2315	65	9 9/32	7 1/4	1 17/32	1	2 19/32	63/64	3 13/64	1.6732	42.5	M22	7/8	UK 315	HA2315 HE2315 H2315	F315	11.6
UKF 316+HA2316 316+HE2316 316+H2316	70	9 27/32	7 23/32	1 1/2	1 1/16	2 11/16	7/32	4 3/32	1.7520	44.5	M27	1	UK 316	HA2316 HE2316 H2316	F316	13.2
UKF 317+HA2317 317+H2317 317+HE2317	75	10 1/4	8 1/32	1 47/64	1 1/16	2 29/32	7/32	4 3/8	1.8898	48	M27	1	UK 317	HA2317 H2317 HE2317	F317	15.2
UKF 318+H2318	80	11 1/32	8 1/2	1 47/64	3/16	3	3/8	4 3/8	1.8898	48	M30	1/8	UK 318	H2318	F318	18.8
UKF 319+HE2319 319+H2319	85	11 13/32	8 31/32	2 21/64	3/16	3 11/16	3/8	4 3/8	2.0472	52	M30	1/8	UK 319	HS2319 H2319	F319	21.1
UKF 320+HE2320 320+H2320	90	12 7/32	9 17/32	2 21/64	1 1/4	3 11/16	1/2	4 17/32	2.2047	56	M33	1/4	UK 320	HS2320 H2320	F320	25.3
UKF 322+H2322	100	13 3/8	10 5/32	2 23/64	3/8	3 25/32	39/64	4 49/64	2.4016	61	M36	1/8	UK 322	H2322	F322	35.0
UKF 324+H2324	110	14 9/16	11 27/64	2 9/16	1 9/16	4 11/32	39/64	5 1/8	2.5590	65	M36	1/8	UK 324	H2324	F324	47.2
UKF 326+H2326	115	16 1/32	12 9/32	2 9/16	1 1/4	4 7/32	39/64	5 3/32	2.7165	69	M36	1/8	UK 326	H2326	F326	64.1
UKF 328+H2328	125	17 3/32	13 25/32	2 61/64	1 1/2	4 29/32	39/64	5 53/64	2.8740	73	M36	1/8	UK 328	H2328	F328	90.2



UCFS 200  
normal-duty



HCFS 200  
normal-duty

带座轴承代号 Bearing Unit	轴径 Shaft Dia	外形尺寸 (英寸) 或 (毫米) Dimensions(in)or(mm)										螺栓 Bolt Used	轴承代号 Bearing	座代号 Housing	重量 Weight
No.	d	a	e	i	g	l	S	Z	Bi	n		No.	No.		
	(in.) (mm)											(mm) (in.)			(kg)
UCFS 201	12											UC 201	FS201	0.80	
UCFS 201-8	1/2											UC 201-8	FS201	0.80	
UCFS 202-9	9/16	3/8	1/2	13/16	3/8	5/16	7/16	17/32	1.2205	0.5000	M10	3/8	UC 202-9	FS202	0.79
UCFS 202	15	86	63.5	20.6	9.5	33	11	38.9	31.0	12.7			UC 202	FS202	0.79
UCFS 202-10	5/8											UC 202-10	FS203	0.77	
UCFS 203	17											UC 203	FS203	0.77	
UCFS 203-11	11/16											UC 203-11	FS203	0.77	
UCFS 204-12	3/4	3/8	1/2	13/16	3/8	5/16	7/16	17/32	1.2205	0.5000	M10	3/8	UC 204-12	FS204	0.76
UCFS 204	20	86	63.5	20.6	9.5	33	11	38.9	31.0	12.7			UC 204	FS204	0.76
UCFS 205-14	7/8	3/4	3/4	53/64	7/16	3/8	29/64	39/64	1.3386	0.5630	M10	3/8	UC 205-14	FS205	1.03
UCFS 205-15	15/16	95	70	21	11	35	11.5	40.7	34.0	14.3			UC 205-15	FS205	1.03
UCFS 205	25	95	70	21	11	35	11.5	40.7	34.0	14.3			UC 205	FS205	1.03
UCFS 205-16	1											UC 205-16	FS205	1.03	
UCFS 206-17	1 1/16	1/4	3/4	57/64	1/2	15/32	33/64	49/64	1.5000	0.6260	M12	7/16	UC 206-17	FS206	1.40
UCFS 206-18	1 1/8	108	82.6	22.6	11	37.3	13	44.8	38.1	15.9			UC 206-18	FS206	1.40
UCFS 206	30	108	82.6	22.6	11	37.3	13	44.8	38.1	15.9			UC 206	FS206	1.40
UCFS 206-19	3/16											UC 206-19	FS206	1.40	
UCFS 206-20	1 1/4											UC 206-20	FS206	1.40	
UCFS 207-20	1 1/4	39/64	5/8	7/8	33/64	1/2	33/64	7/8	1.6890	0.6890	M12	7/16	UC 207-20	FS207	1.80
UCFS 207-21	5/16	4	92	22.2	13	38	13	47.6	42.9	17.5			UC 207-21	FS207	1.80
UCFS 207-22	3/8	117	92	22.2	13	38	13	47.6	42.9	17.5			UC 207-22	FS207	1.80
UCFS 207	35	117	92	22.2	13	38	13	47.6	42.9	17.5			UC 207	FS207	1.80
UCFS 207-23	1 7/16											UC 207-23	FS207	1.80	
UCFS 208-24	1 1/2	1/8	4	31/32	5/8	5/8	35/64	2 5/32	1.9370	0.7480	M12	1/2	UC 208-24	FS208	2.15
UCFS 208-25	9/16	130	101.6	24.6	16	41.3	14	54.8	49.2	19.0			UC 208-25	FS208	2.15
UCFS 208	40	130	101.6	24.6	16	41.3	14	54.8	49.2	19.0			UC 208	FS208	2.15
UCFS 209-26	5/8	3/8	1/8	31/32	5/8	21/32	5/8	2 5/32	1.9370	0.7480	M14	9/16	UC 209-26	FS209	2.52
UCFS 209-27	1 1/16	137	105	24.6	16	42	16	54.8	49.2	19.0			UC 209-27	FS209	2.52
UCFS 209-28	3/4											UC 209-28	FS209	2.52	
UCFS 209	45											UC 209	FS209	2.52	
UCFS 210-30	7/8	5/8	3/8	3/32	5/8	13/16	5/8	2 3/8	2.0315	0.7480	M14	9/16	UC 210-30	FS210	3.00
UCFS 210-31	1 5/16	143	111	27.8	16	46	16	60.4	51.6	19.0			UC 210-31	FS210	3.00
UCFS 210	50	143	111	27.8	16	46	16	60.4	51.6	19.0			UC 210	FS210	3.00
UCFS 211-32	2	3/8	1/8	7/32	11/16	31/32	43/64	2 17/32	2.1890	0.8740	M16	5/8	UC 211-32	FS211	3.80
UCFS 211-34	2 1/8	162	130	31.0	17.5	50	17	64.4	55.6	22.2			UC 211-34	FS211	3.80
UCFS 211	55	162	130	31.0	17.5	50	17	64.4	55.6	22.2			UC 211	FS211	3.80
UCFS 211-35	2 3/16											UC 211-35	FS211	3.80	
UCFS 212-36	2 1/4	7/8	5/8	1 11/32	11/16	5/32	43/64	2 29/32	2.5630	1.0000	M16	5/8	UC 212-36	FS212	4.88
UCFS 212	60	175	143	34.1	17.5	54.8	17	73.8	65.1	25.4			UC 212	FS212	4.88
UCFS 212-38	2 3/8											UC 212-38	FS212	4.88	
UCFS 212-39	2 7/16											UC 212-39	FS212	4.88	

带座轴承代号 Bearing Unit	轴径 Shaft Dia	外形尺寸 (英寸) 或 (毫米) Dimensions(in)or(mm)										螺栓 Bolt Used	轴承代号 Bearing	座代号 Housing	重量 Weight
No.	d	a	e	i	g	l	S	Z	Bi	n		No.	No.		
	(in.) (mm)											(mm) (in.)			(kg)
HCFS 204-12	3/4	3/8	1/2	13/16	3/8	5/16	7/16	17/32	1.2205	0.5000	M10	3/8	HC 204-12	FS204	0.80
HCFS 204	20	86	63.5	20.6	9.5	33	11	38.9	31.0	12.7			HC 204	FS204	0.80
HCFS 205-14	7/8	3/4	3/4	53/64	7/16	3/8	29/64	39/64	1.3386	0.5630	M10	3/8	HC 205-14	FS205	1.07
HCFS 205-15	15/16	95	70	21	11	35	11.5	40.7	34.0	14.3			HC 205-15	FS205	1.07
HCFS 205	25	95	70	21	11	35	11.5	40.7	34.0	14.3			HC 205	FS205	1.07
HCFS 205-16	1											HC 205-16	FS205	1.07	
HCFS 206-17	1 1/16	1/4	3/4	57/64	1/2	15/32	33/64	49/64	1.5000	0.6260	M12	7/16	HC 206-17	FS206	1.45
HCFS 206-18	1 1/8	108	82.6	22.6	11	37.3	13	44.8	38.1	15.9			HC 206-18	FS206	1.45
HCFS 206	30	108	82.6	22.6	11	37.3	13	44.8	38.1	15.9			HC 206	FS206	1.45
HCFS 206-19	3/16											HC 206-19	FS206	1.45	
HCFS 206-20	1 1/4											HC 206-20	FS206	1.45	
HCFS 207-20	1 1/4	39/64	5/8	7/8	33/64	1/2	33/64	7/8	1.4803	0.7402	M12	7/16	HC 207-20	FS207	1.90
HCFS 207-21	5/16	4	92	22.2	13	38	13	44.8	37.6	18.8			HC 207-21	FS207	1.90
HCFS 207-22	3/8	117	92	22.2	13	38	13	44.8	37.6	18.8			HC 207-22	FS207	1.90
HCFS 207	35	117	92	22.2	13	38	13	44.8	37.6	18.8			HC 207	FS207	1.90
HCFS 207-23	1 7/16											HC 207-23	FS207	1.90	
HCFS 208-24	1 1/2	1/8	4	31/32	5/8	5/8	35/64	2 11/32	1.6850	0.8425	M12	1/2	HC 208-24	FS208	2.30
HCFS 208-25	9/16	130	101.6	24.6	16	41.3	14	59.5	42.8	21.4			HC 208-25	FS208	2.30
HCFS 208	40	130	101.6	24.6	16	41.3	14	59.5	42.8	21.4			HC 208	FS208	2.30
HCFS 209-26	5/8	3/8	1/8	31/32	5/8	21/32	5/8	2 5/32	1.6850	0.8425	M14	9/16	HC 209-26	FS209	2.70
HCFS 209-27	1 1/16	137	105	24.6	16	42	16	59.5	42.8	21.4			HC 209-27	FS209	2.70
HCFS 209-28	3/4											HC 209-28	FS209	2.70	
HCFS 209	45											HC 209	FS209	2.70	
HCFS 210-30	7/8	5/8	3/8	3/32	5/8	13/16	5/8	2 19/32	1.9370	0.9685	M14	9/16	HC 210-30	FS210	3.20
HCFS 210-31	1 5/16	143	111	27.8	16	46	16	65.9	49.2	24.6			HC 210-31	FS210	3.20
HCFS 210	50	143	111	27.8	16	46	16	65.9	49.2	24.6			HC 210	FS210	3.20
HCFS 211-32	2	3/8	1/8	7/32	11/16	31/32	43/64	2 15/16	2.1850	1.0940	M16	5/8	HC 211-32	FS211	4.20
HCFS 211-34	2 1/8	162	130	31.0	17.5	50	17	64.4	55.5	27.8			HC 211-34	FS211	4.20
HCFS 211	55	162	130	31.0	17.5	50	17	64.4	55.5	27.8			HC 211	FS211	4.20
HCFS 211-35	2 3/16											HC 211-35	FS211	4.20	
HCFS 212-36	2 1/4	7/8	5/8	1 11/32	11/16	5/32	43/64	2 3/16	2.4370	1.2200	M16	5/8	HC 212-36	FS212	5.30
HCFS 212	60	175	143	34.1	17.5	54.8	17	73.8	61.9	31.0			HC 212	FS212	5.30
HCFS 212-38	2 3/8											HC 212-38	FS212	5.30	
HCFS 212-39	2 7/16											HC 212-39	FS212	5.30	